

1604001-3 ✓ ACTIVE

AMP Power Series - 120

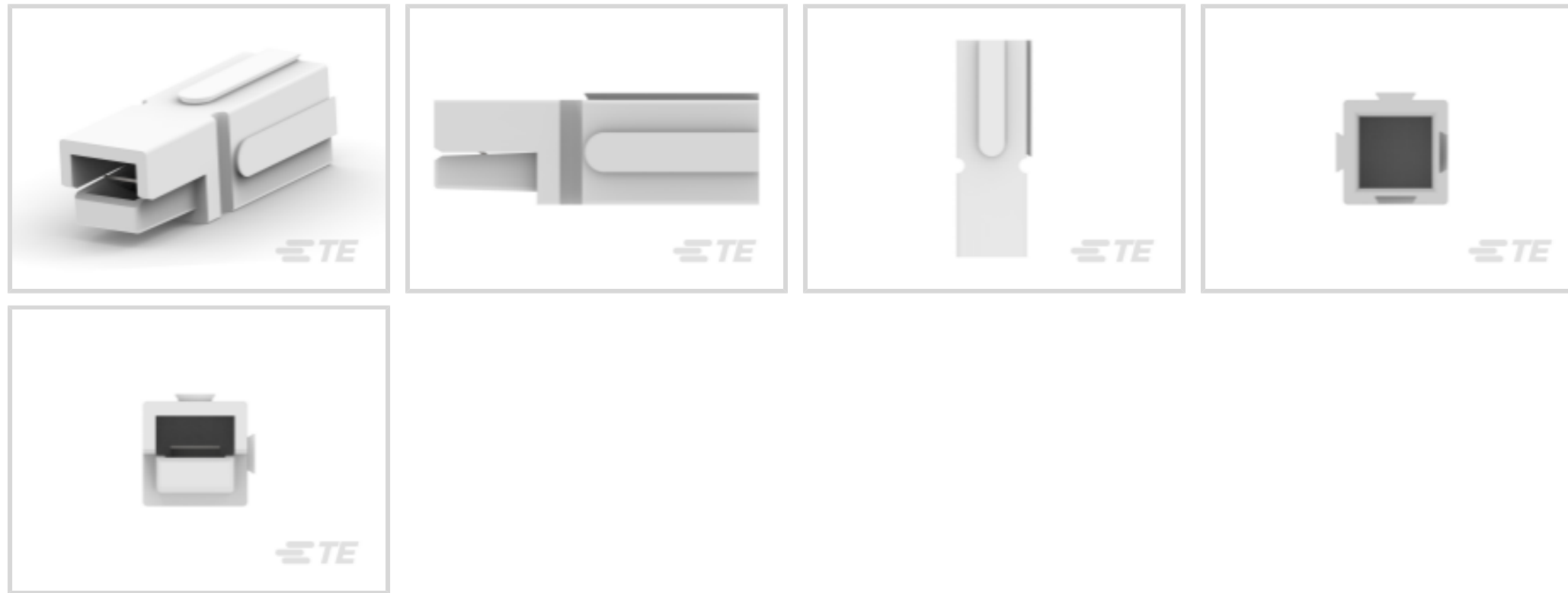
TE Internal #: 1604001-3

Rectangular Power Connectors, Housing, Receptacle / Plug, Wire-to-Wire, 1 Position, Wire & Cable, UL 94V-0, AMP Power Series - 120

[View on TE.com >](#)



Connectors > Power Connectors > Rectangular Power > Rectangular Power Connectors



Rectangular Power Connector Type: **Housing**

Connector & Housing Type: **Plug, Receptacle**

Connector System: **Wire-to-Wire**

Number of Positions: **1**

Sealable: **No**

Features

Product Type Features

Compatible With Discrete Wire Type	Stranded
Rectangular Power Connector Type	Housing
Connector & Housing Type	Plug, Receptacle
Connector System	Wire-to-Wire
Sealable	No
Connector & Contact Terminates To	Wire & Cable

Configuration Features

Number of Positions	1
Number of Power Positions	0
Number of Signal Positions	0

Electrical Characteristics

Operating Voltage	600 VDC
-------------------	---------

Contact Features

Contact Retention Within Housing	Without
----------------------------------	---------



Contact Type	Blade
--------------	-------

Termination Features

Termination Method to Wire & Cable	Crimp
------------------------------------	-------

Mechanical Attachment

Panel Mount Feature	Without
---------------------	---------

Connector Mounting Type	Cable Mount (Free-Hanging)
-------------------------	----------------------------

Housing Features

Housing Color	White
---------------	-------

Housing Material	Polycarbonate
------------------	---------------

Dimensions

Connector Height	69.6 mm[2.74 in]
------------------	------------------

Product Width	22.4 mm[.96 in]
---------------	-----------------

Product Length	22.4 mm[.96 in]
----------------	-----------------

Compatible Insulation Diameter Range	15 mm[.591 in]
--------------------------------------	----------------

Wire Size	67100 – 69073 CMA
-----------	-------------------

Usage Conditions

Operating Temperature Range	0 – 105 °C[32 – 221 °F]
-----------------------------	-------------------------

Operation/Application

Circuit Application	Power
---------------------	-------

Industry Standards

UL Rating	Recognized
-----------	------------

Agency/Standard	UL
-----------------	----

Approved Standards	UL E28476
--------------------	-----------

UL Flammability Rating	UL 94V-0
------------------------	----------

Glow Wire Rating	Standard Part - Not Glow Wire
------------------	-------------------------------

Packaging Features

Packaging Quantity	110
--------------------	-----

Packaging Method	Box
------------------	-----

Product Compliance

[For compliance documentation, visit the product page on TE.com>](#)

EU RoHS Directive 2011/65/EU	Compliant
------------------------------	-----------



EU ELV Directive 2000/53/EC	Not Yet Reviewed
China RoHS 2 Directive MIIT Order No 32, 2016	No Restricted Materials Above Threshold
EU REACH Regulation (EC) No. 1907/2006	Current ECHA Candidate List: JUNE 2023 (235) Candidate List Declared Against: JAN 2021 (211) Does not contain REACH SVHC
Halogen Content	Not Low Halogen - contains Br or Cl > 900 ppm.
Solder Process Capability	Not applicable for solder process capability

Product Compliance Disclaimer

This information is provided based on reasonable inquiry of our suppliers and represents our current actual knowledge based on the information they provided. This information is subject to change. The part numbers that TE has identified as EU RoHS compliant have a maximum concentration of 0.1% by weight in homogenous materials for lead, hexavalent chromium, mercury, PBB, PBDE, DBP, BBP, DEHP, DIBP, and 0.01% for cadmium, or qualify for an exemption to these limits as defined in the Annexes of Directive 2011/65/EU (RoHS2). Finished electrical and electronic equipment products will be CE marked as required by Directive 2011/65/EU. Components may not be CE marked. Additionally, the part numbers that TE has identified as EU ELV compliant have a maximum concentration of 0.1% by weight in homogenous materials for lead, hexavalent chromium, and mercury, and 0.01% for cadmium, or qualify for an exemption to these limits as defined in the Annexes of Directive 2000/53/EC (ELV). Regarding the REACH Regulation, the information TE provides on SVHC in articles for this part number is based on the latest European Chemicals Agency (ECHA) 'Guidance on requirements for substances in articles' posted at this URL: <https://echa.europa.eu/guidance-documents/guidance-on-reach>

Also in the Series | AMP Power Series - 120

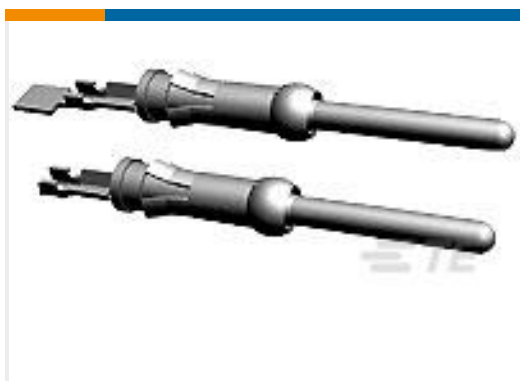


Rectangular Connector Adapters(1)

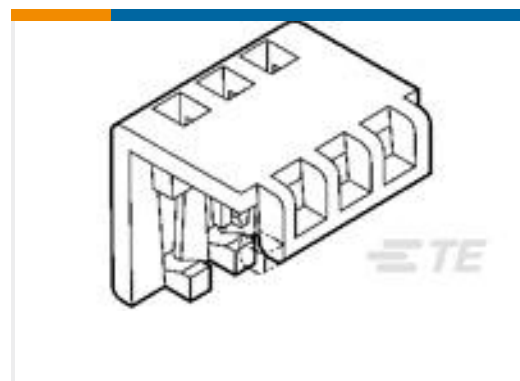


Rectangular Power Connectors(9)

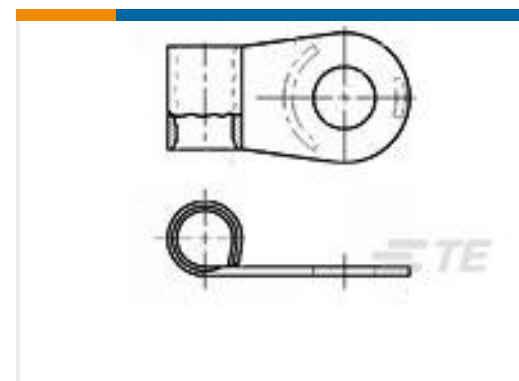
Customers Also Bought



TE Part #66564-8
III+ PIN,24-20,30AU/FL,STRIP



TE Part #1-643075-5
15P MTA100 MOLDED COVER



TE Part #321275
TERMINAL,SOLIS FLAG R 4 1/4



TE Part #926298-3
04P UNIV.M-N-L.PLUG



TE Part #1445022-9
MICRO MNL RFECEPT HSG SINGLE R



TE Part #1604001-5
120A SGL POLE HSG SUBASY,RED



TE Part #2-323914-1
TERMINAL,PIDG R 26-22 4



TE Part #2822343-1
MINI MLC PLUG HSG ASSY 7P



TE Part #917308-1
MINI MLC CONN REC CONT.



TE Part #1445995-1
CONTACT, 120 PWR PROD,2AWG

Documents

Product Drawings

[120A SGL POLE HSG SUBASY,WHITE](#)

English

CAD Files

[3D PDF](#)

3D

Customer View Model

[ENG_CVM_CVM_1604001-3_C.2d_dxf.zip](#)

English

Customer View Model

[ENG_CVM_CVM_1604001-3_C.3d_igs.zip](#)

English

Customer View Model

[ENG_CVM_CVM_1604001-3_C.3d_stp.zip](#)

English

By downloading the CAD file I accept and agree to the [Terms and Conditions](#) of use.

Datasheets & Catalog Pages

[POWER_CONNECTORS_CATALOG_SEC02_CABLE_MOUNTED](#)

English

[2_PIECE_POWER_CONNECTORS_qrg_4-1773458-1](#)

English

Product Specifications

[Application Specification](#)

English

1604001-3

Rectangular Power Connectors, Housing, Receptacle / Plug, Wire-to-Wire, 1 Position,
Wire & Cable, UL 94V-0, AMP Power Series - 120

