



Crimband Splices

TE Internal #: 1601953-1

Splices, Pigtail Splice, 20 – 1 AWG / 14 – 10 AWG Wire Size, .81 – 2.3 mm² / 2 – 5.6 mm² Wire Size, Splice Capacity 8, Serrated, Crimpband Splices

[View on TE.com >](#)

Terminals & Splices > Splices



Wire Size: .81 – 2.3 mm², 2 – 5.6 mm²

Sealable: No

Splice Capacity: 8

Splice Features: **Serrated**

Features

Product Type Features

| | |
|------------------------------------|--|
| Sealable | No |
| Splice Type | Pigtail Splice |
| Compatible With Discrete Wire Type | Magnet Wire & Lead Wire, Solid, Stranded |

Configuration Features

| | |
|-----------------------------------|---------------|
| Strip Orientation | End Feed |
| Splice Capacity | 8 |
| Number of Serrations | 13 |
| Compatible With Wire & Cable Type | Discrete Wire |

Electrical Characteristics

| | |
|-------------------|-------|
| Operating Voltage | 250 V |
|-------------------|-------|

Body Features

| | |
|-----------------|----------|
| Product Weight | 1.25 g |
| Splice Features | Serrated |

Contact Features

| | |
|--|--|
| | |
|--|--|



| | |
|---------------------------|-------|
| Terminal Plating Material | Tin |
| Contact Base Material | Brass |
| Barrel Type | Open |

Termination Features

| | |
|------------------------------------|-------|
| Termination Method to Wire & Cable | Crimp |
|------------------------------------|-------|

Mechanical Attachment

| | |
|-------------------------|---------|
| Wire Insulation Support | Without |
|-------------------------|---------|

Dimensions

| | |
|--------------------------------------|--|
| Product Width | 10.36 mm[.408 in] |
| Wire Size | 1000 – 9000 CMA, 4000 – 11000 CMA |
| Compatible Insulation Diameter Range | 1.62 – 2.58 mm, 3.26 – 4.36 mm[.064 – .101 in][.128 – .171 in] |
| Terminal Material Thickness | .64 mm[.025 in] |
| Product Length | 10.36 mm[.408 in] |

Usage Conditions

| | |
|-----------------------------|----------------------------|
| Insulation Option | Uninsulated |
| Operating Temperature Range | -65 – 150 °C[-85 – 302 °F] |

Operation/Application

| | |
|------------------------------------|--------|
| Compatible With Wire Base Material | Copper |
|------------------------------------|--------|

Industry Standards

| | |
|-----------------------------|----|
| Government Qualified Splice | No |
|-----------------------------|----|

Packaging Features

| | |
|--------------------|-------|
| Packaging Quantity | 1000 |
| Packaging Method | Strip |

Product Compliance

[For compliance documentation, visit the product page on TE.com>](#)

| | |
|---|--|
| EU RoHS Directive 2011/65/EU | Compliant |
| EU ELV Directive 2000/53/EC | Compliant |
| China RoHS 2 Directive MIIT Order No 32, 2016 | No Restricted Materials Above Threshold |
| EU REACH Regulation (EC) No. 1907/2006 | Current ECHA Candidate List: JUNE 2023 (235) |



Candidate List Declared Against: JUNE 2023 (235)
Does not contain REACH SVHC

| | |
|---------------------------|---|
| Halogen Content | Low Halogen - Br, Cl, F, I < 900 ppm per homogenous material. Also BFR/CFR/PVC Free |
| Solder Process Capability | Not applicable for solder process capability |

Product Compliance Disclaimer

This information is provided based on reasonable inquiry of our suppliers and represents our current actual knowledge based on the information they provided. This information is subject to change. The part numbers that TE has identified as EU RoHS compliant have a maximum concentration of 0.1% by weight in homogenous materials for lead, hexavalent chromium, mercury, PBB, PBDE, DBP, BBP, DEHP, DIBP, and 0.01% for cadmium, or qualify for an exemption to these limits as defined in the Annexes of Directive 2011/65/EU (RoHS2). Finished electrical and electronic equipment products will be CE marked as required by Directive 2011/65/EU. Components may not be CE marked. Additionally, the part numbers that TE has identified as EU ELV compliant have a maximum concentration of 0.1% by weight in homogenous materials for lead, hexavalent chromium, and mercury, and 0.01% for cadmium, or qualify for an exemption to these limits as defined in the Annexes of Directive 2000/53/EC (ELV). Regarding the REACH Regulation, the information TE provides on SVHC in articles for this part number is based on the latest European Chemicals Agency (ECHA) 'Guidance on requirements for substances in articles' posted at this URL: <https://echa.europa.eu/guidance-documents/guidance-on-reach>

Compatible Parts



TE Part # 1601480-1
.059X.032TAB,RH,WELD TERM



TE Part # 1601481-1
.059X.032TAB,LH,WELD TERM



TE Part # 2368878-1
POWER SPLICE APPLICATOR



TE Part # 2378104-1
PS-20 TERMINATOR, 400V



TE Part # 2378104-2
PS-20 TERMINATOR, 200V

Also in the Series | [Crimband Splices](#)



Splices(3)

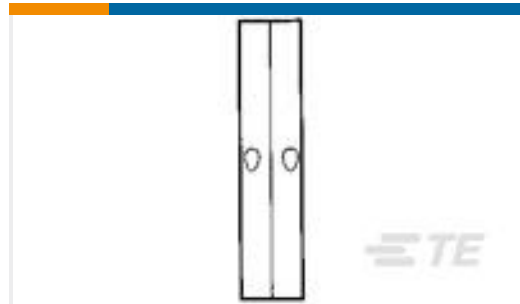
Customers Also Bought



TE Part #1971784-2
PTL TAB CONTACT, 16-19 AWG, 2X22 AWG



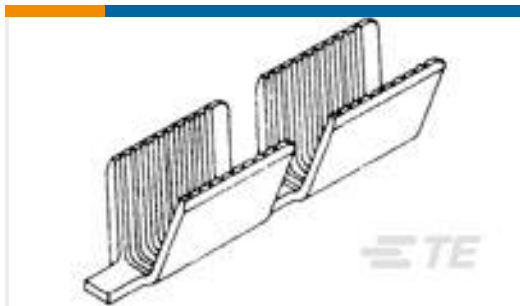
TE Part #4-1879073-8
THS10 5K6 5%



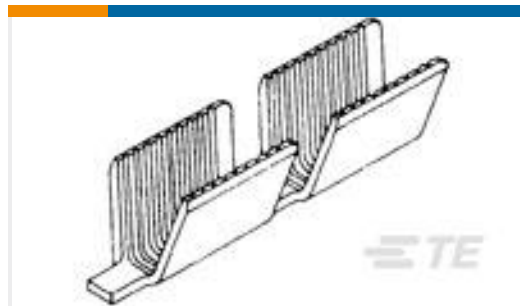
TE Part #34322
SPLICE,SOLIS BUTT 6



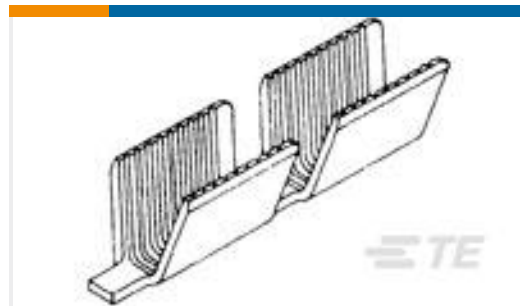
TE Part #2-520128-2
ULTRA-FAST 250 ASY REC 22-18 AWG TPBR



TE Part #62309-2
AMVAR SPLC 5000-10000 025TPBR



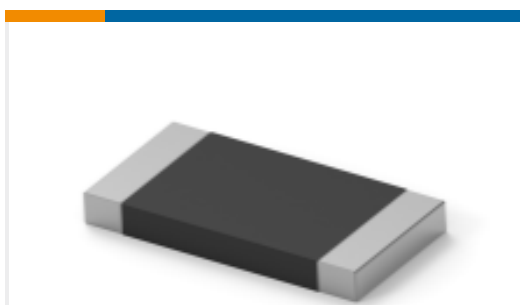
TE Part #62308-2
AMVAR SPLC 3000-7000 020TPBR



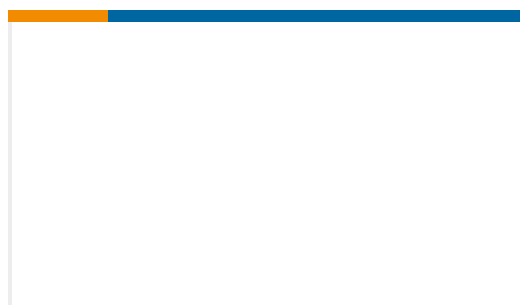
TE Part #62306-2
AMVAR SPLC 1500-5000 020TPBR



TE Part #7-2150368-7
OCEAN_2.0_SPARE_PART_KIT-140F180F



TE Part #1-2176421-3
TLRP 2512 2.0W R004 1% 25PPM 4K RL



TE Part #2-1971777-4
PTL TPA HWI 1X4 NATURAL

Documents

Product Drawings

[111-000-001=SPLICE TERMINAL](#)

English

CAD Files

[3D PDF](#)

English

Customer View Model

[ENG_CVM_1601953-1_A2.3d_igs.zip](#)



English

Customer View Model

[ENG_CVM_1601953-1_A2.3d_stp.zip](#)

English

Customer View Model

[ENG_CVM_1601953-1_A2.2d_dxf.zip](#)

English

[3D PDF](#)

3D

Customer View Model

[ENG_CVM_CVM_1601953-1_D.2d_dxf.zip](#)

English

Customer View Model

[ENG_CVM_CVM_1601953-1_D.3d_igs.zip](#)

English

Customer View Model

[ENG_CVM_CVM_1601953-1_D.3d_stp.zip](#)

English

By downloading the CAD file I accept and agree to the [Terms and Conditions](#) of use.

Datasheets & Catalog Pages

[Magnet Wire Terminals & Splices](#)

English

Product Specifications

[Application Specification](#)

English

Product Environmental Compliance

[Product Compliance](#)

English

[Product Compliance](#)

English