

160174-2 ✓ ACTIVE

FASTIN-FASTON | FASTIN-FASTON 110

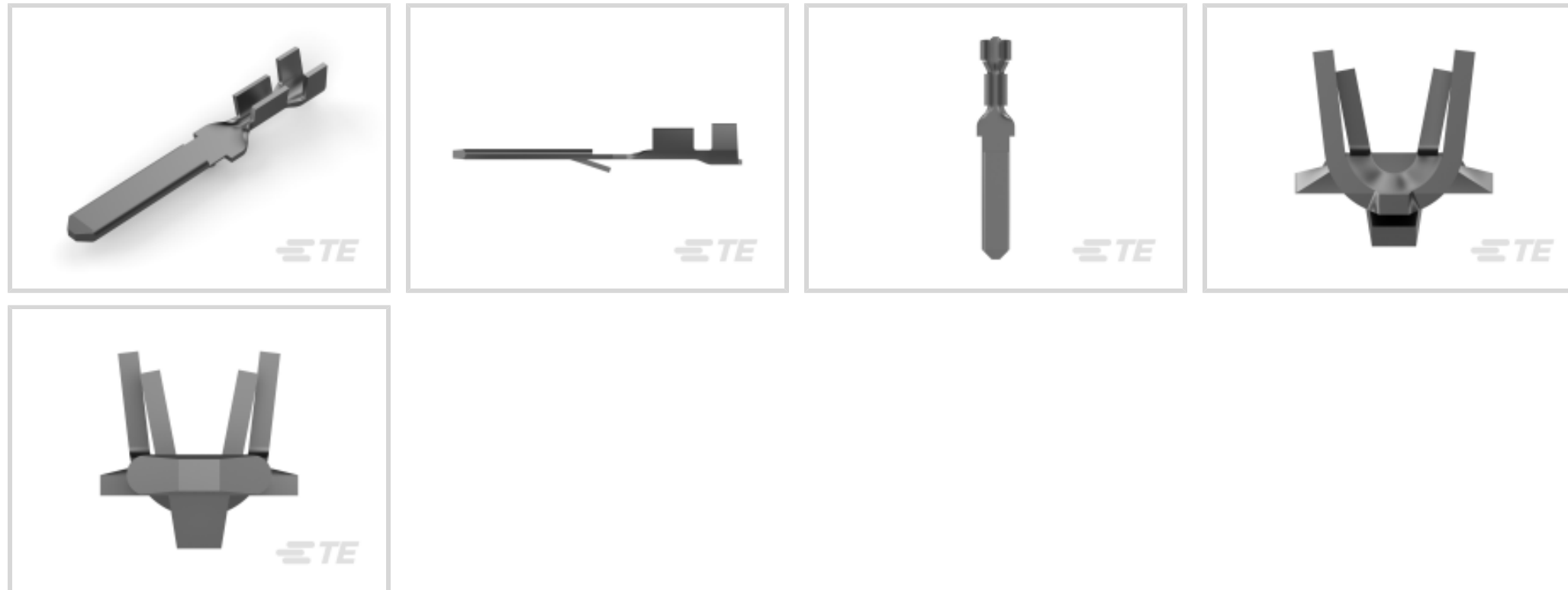
TE Internal #: 160174-2

Quick Disconnects, Tab, 22 – 20 AWG Wire Size, .32 – .51 mm<sup>2</sup> Wire Size, Mating Tab Width 2.8 mm [.11 in], Straight, Brass, FASTIN-FASTON 110

[View on TE.com >](#)



Terminals & Splices > Quick Disconnects



Quick Disconnect Terminal Type: **Tab**

Wire Size: **.32 – .51 mm<sup>2</sup>**

Mating Tab Width: **2.8 mm [.11 in]**

Mating Tab Thickness: **.81 mm [.032 in]**

## Features

### Product Type Features

Insertion Force	Normal
-----------------	--------

### Configuration Features

Connection Capacity	Single
---------------------	--------

Compatible With Wire & Cable Type	Discrete Wire
-----------------------------------	---------------

### Contact Features

Quick Disconnect Terminal Type	Tab
--------------------------------	-----

Mating Tab Width	2.8 mm [.11 in]
------------------	-----------------

Mating Tab Thickness	.81 mm [.032 in]
----------------------	------------------

Terminal Orientation	Straight
----------------------	----------

Contact Base Material	Brass
-----------------------	-------

Terminal Plating Material	Tin
---------------------------	-----

Crimp Type	F-Crimp
------------	---------

Barrel Type	Open
-------------	------

### Termination Features



Product Terminates To	Wire & Cable
-----------------------	--------------

### Mechanical Attachment

Wire Insulation Support	With
Mating Retention Type	Locking Lance

### Dimensions

Terminal Material Thickness	.41 mm[.016 in]
Product Length	22 mm[.866 in]
Compatible Insulation Diameter Range	1.4 – 2.21 mm[.055 – .087 in]
Wire Size	.32 – .51 mm <sup>2</sup>

### Usage Conditions

Insulation Option	Uninsulated
Operating Temperature Range	-40 – 110 °C[-40 – 230 °F]

### Packaging Features

Packaging Quantity	10000
Packaging Method	Strip/Reel

### Product Compliance

[For compliance documentation, visit the product page on TE.com>](#)

EU RoHS Directive 2011/65/EU	Compliant
EU ELV Directive 2000/53/EC	Compliant
China RoHS 2 Directive MIIT Order No 32, 2016	No Restricted Materials Above Threshold
EU REACH Regulation (EC) No. 1907/2006	Current ECHA Candidate List: JUNE 2023 (235) Candidate List Declared Against: JUNE 2023 (235) Does not contain REACH SVHC
Halogen Content	Low Halogen - Br, Cl, F, I < 900 ppm per homogenous material. Also BFR/CFR/PVC Free
Solder Process Capability	Not applicable for solder process capability

#### Product Compliance Disclaimer

This information is provided based on reasonable inquiry of our suppliers and represents our current actual knowledge based on the information they provided. This information is subject to change. The part numbers that TE has identified as EU RoHS compliant have a maximum concentration of 0.1% by weight in homogenous materials for lead, hexavalent chromium, mercury, PBB, PBDE, DBP, BBP, DEHP, DIBP, and 0.01% for cadmium, or qualify for an exemption to these limits as defined in the Annexes of Directive 2011/65/EU (RoHS2). Finished electrical and electronic equipment products will be CE marked as required by Directive 2011/65/EU. Components may not be CE marked. Additionally, the part

numbers that TE has identified as EU ELV compliant have a maximum concentration of 0.1% by weight in homogenous materials for lead, hexavalent chromium, and mercury, and 0.01% for cadmium, or qualify for an exemption to these limits as defined in the Annexes of Directive 2000/53/EC (ELV). Regarding the REACH Regulation, the information TE provides on SVHC in articles for this part number is based on the latest European Chemicals Agency (ECHA) 'Guidance on requirements for substances in articles' posted at this URL: <https://echa.europa.eu/guidance-documents/guidance-on-reach>

## Compatible Parts



TE Part # 160719-3  
FASTIN FASTON (FF) TAB 20/16 AWG BR



TE Part # 2-2150687-2  
OC-PA-E-FA-080F090F-001-0034



TE Part # 2150687-2  
OC-AT-E-FA-080F090F-001-0034




TE Part # 7-2150687-7  
OC-080F090F-CRIMPTOOLINGKIT

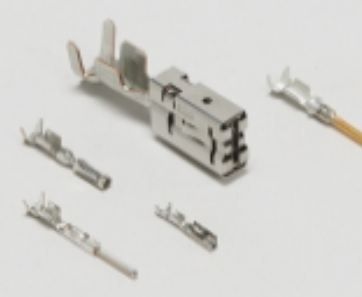


TE Part # 734520-1  
.110 FAST.HANDTOOL

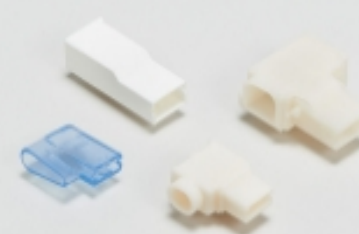
## Also in the Series | FASTIN-FASTON 110




Automotive Housings(6)




Automotive Terminals(6)



Crimp Terminal Housings(34)



Insertion & Extraction Tools(3)

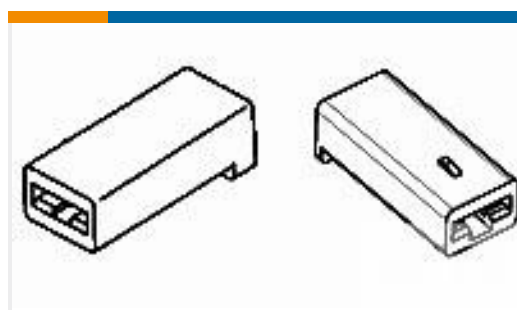


Quick Disconnects(83)

## Customers Also Bought



TE Part #927365-1  
Timer Connector Housing



TE Part #180905  
FF 250 REC HSG 1P NYLON NAT



TE Part #1-160301-6  
250 FASTON, REC., 10-12 AWG, TPBR



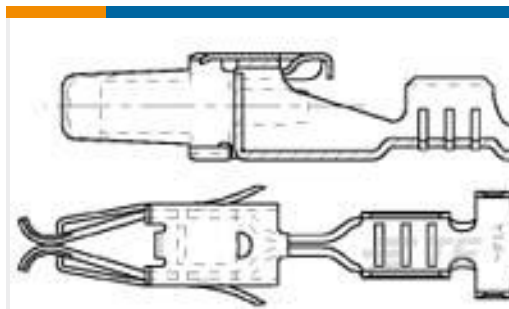
TE Part #926298-7  
UNIVERSAL MATE-N-LOK 4 WAY  
PLUG



TE Part #160922-2  
FF 110 REC 0.2-0.5MM2 TPBR



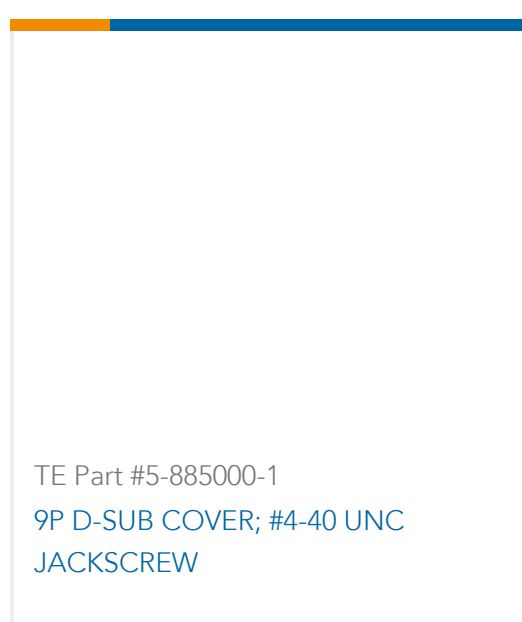
TE Part #1-969508-2  
6POS MQS REC COD A



TE Part #144431-1  
JPT F REC 2.8 Contact SRC Sn



TE Part #NB10364001  
ATUM-24/8-0-SP



TE Part #5-885000-1  
9P D-SUB COVER; #4-40 UNC  
JACKSCREW

## Documents

### Product Drawings

[FF 110 TAB 22-20AWG TPBR](#)

English

### CAD Files

[3D PDF](#)

3D

Customer View Model

[ENG\\_CVM\\_CVM\\_160174-2\\_AD\\_c-160174-2-ad.2d\\_dxf.zip](#)

English

Customer View Model

[ENG\\_CVM\\_CVM\\_160174-2\\_AD\\_c-160174-2-ad.3d\\_igs.zip](#)

English

Customer View Model

[ENG\\_CVM\\_CVM\\_160174-2\\_AD\\_c-160174-2-ad.3d\\_stp.zip](#)

English

By downloading the CAD file I accept and agree to the [Terms and Conditions](#) of use.

### Product Specifications



**FASTIN-FASTON CONN. .110 INCH, .187 INCH, .250 INCH, .375 INCH SRS.**

English

**Product Specification**

English

---

**Product Environmental Compliance**

**Product Compliance**

English

**Product Compliance**

English