



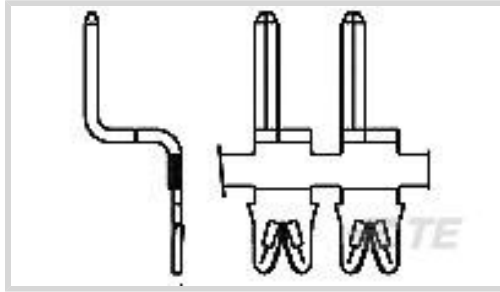
SIAMEZE

TE Internal #: 1601071-2

Magnet Wire Terminals, Pin, Mating Tab Width .059 in [1.5 mm], .16 – 1.02 mm Magnet Wire, 34 – 18 AWG Magnet Wire, SIAMEZE

[View on TE.com >](#)

Terminals & Splices > Magnet Wire Terminals



Magnet Wire Terminal Type: **Pin**

Mating Tab Width: **1.5 mm [ .059 in ]**

Mating Tab Thickness: **.82 mm [ .032 in ]**

Mating Pin Diameter: **.8 mm [ .031 in ]**

Magnet Wire Size: **34 – 18 AWG**

**Features**

**Product Type Features**

Compatible With Discrete Wire Type	Magnet Wire, Solid
------------------------------------	--------------------

**Contact Features**

Magnet Wire Terminal Type	Pin
Mating Tab Width	1.5 mm[.059 in]
Mating Tab Thickness	.82 mm[.032 in]
Mating Pin Diameter	.8 mm[.031 in]
Terminal Plating Material	Tin

**Termination Features**

Termination Method to Wire & Cable	Insulation Displacement (IDC)
------------------------------------	-------------------------------

**Mechanical Attachment**

Mating Retention Type	Barbs
-----------------------	-------

**Dimensions**

Terminal Height	5.61 mm[.221 in]
Magnet Wire Size	.16 – 1.02 mm
Stock Thickness (Magnet Wire Side)	.5 mm[.02 in]
Product Length	16.73 mm[.658 in]

**Usage Conditions**

Insulation Option	Uninsulated
-------------------	-------------



### Operation/Application

Compatible With Wire Base Material	Copper
------------------------------------	--------

### Packaging Features

Packaging Method	Reel
------------------	------

### Product Compliance

[For compliance documentation, visit the product page on TE.com>](#)

EU RoHS Directive 2011/65/EU	Compliant
EU ELV Directive 2000/53/EC	Compliant
China RoHS 2 Directive MIIT Order No 32, 2016	No Restricted Materials Above Threshold
EU REACH Regulation (EC) No. 1907/2006	Current ECHA Candidate List: JUNE 2023 (235) Candidate List Declared Against: JUNE 2023 (235) Does not contain REACH SVHC
Halogen Content	Low Halogen - Br, Cl, F, I < 900 ppm per homogenous material. Also BFR/CFR/PVC Free
Solder Process Capability	Not applicable for solder process capability

#### Product Compliance Disclaimer

This information is provided based on reasonable inquiry of our suppliers and represents our current actual knowledge based on the information they provided. This information is subject to change. The part numbers that TE has identified as EU RoHS compliant have a maximum concentration of 0.1% by weight in homogenous materials for lead, hexavalent chromium, mercury, PBB, PBDE, DBP, BBP, DEHP, DIBP, and 0.01% for cadmium, or qualify for an exemption to these limits as defined in the Annexes of Directive 2011/65/EU (RoHS2). Finished electrical and electronic equipment products will be CE marked as required by Directive 2011/65/EU. Components may not be CE marked. Additionally, the part numbers that TE has identified as EU ELV compliant have a maximum concentration of 0.1% by weight in homogenous materials for lead, hexavalent chromium, and mercury, and 0.01% for cadmium, or qualify for an exemption to these limits as defined in the Annexes of Directive 2000/53/EC (ELV). Regarding the REACH Regulation, the information TE provides on SVHC in articles for this part number is based on the latest European Chemicals Agency (ECHA) 'Guidance on requirements for substances in articles' posted at this URL: <https://echa.europa.eu/guidance-documents/guidance-on-reach>

### Compatible Parts



## Also in the Series | SIAMEZE

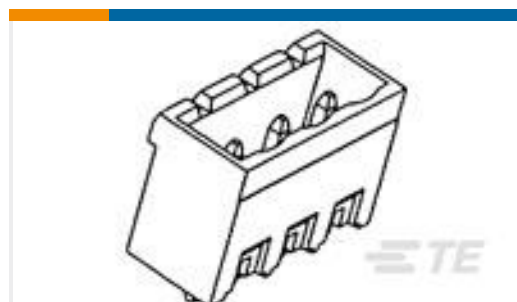
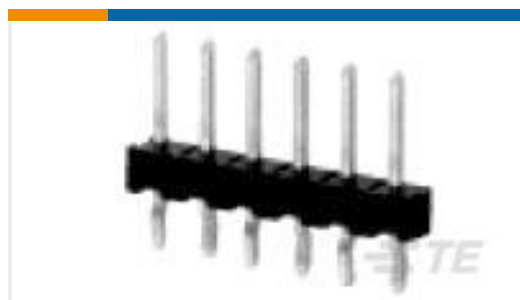


Insertion &amp; Extraction Tools(1)



Magnet Wire Terminals(196)

## Customers Also Bought

TE Part #2-1393243-4  
RTE25524TE Part #964339-1  
MAG MATE KONT. MKIITE Part #1-1546111-0  
EUROSTYLE TB,HEADER,GREY,10POSTE Part #5822138-4  
80 ME .050 L/P AU M/L PB-FREETE Part #9-2176374-8  
RQ 0805 1K1 0.1% 10PPM 1K RLTE Part #104344-3  
05 MODII HDR SRST B/A W/HD

## Documents

### Product Drawings

[131-138-014=TAB,059X032,STDSMZ](#)

English

[131-138-014=TAB,059X032,STDSMZ](#)

English

### CAD Files

[3D PDF](#)

3D

[Customer View Model](#)

[ENG\\_CVM\\_CVM\\_1601071-2\\_A.2d\\_dxf.zip](#)

English

[Customer View Model](#)

[ENG\\_CVM\\_CVM\\_1601071-2\\_A.3d\\_igs.zip](#)

English



### Customer View Model

[ENG\\_CVM\\_CVM\\_1601071-2\\_A.3d\\_stp.zip](#)

English

By downloading the CAD file I accept and agree to the [Terms and Conditions](#) of use.

### Datasheets & Catalog Pages

[Magnet Wire Terminals & Splices](#)

English

### Product Specifications

[Application Specification](#)

English

### Product Environmental Compliance

[Product Compliance](#)

English

[Product Compliance](#)

English