



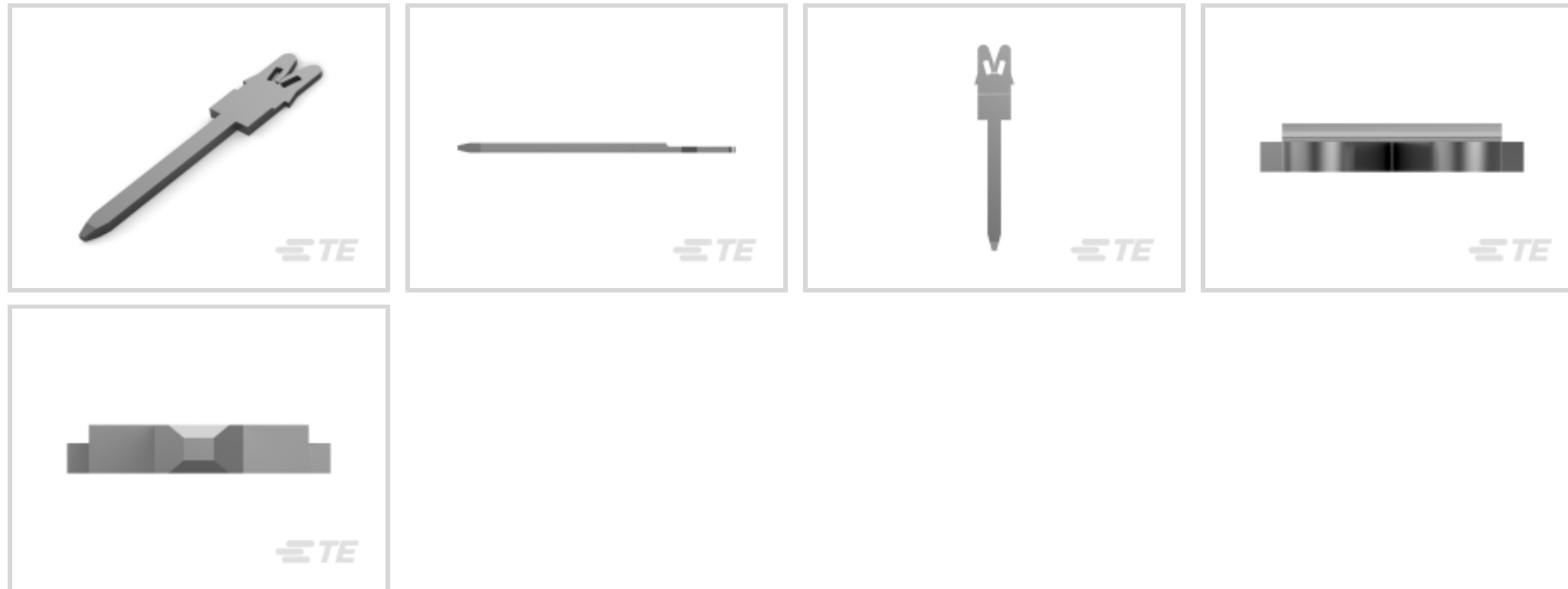
SIAMEZE

TE Internal #: 1601037-2

Magnet Wire Terminals, Solder Post, Mating Tab Width .059 in [1.5 mm], .16 – 1.02 mm Magnet Wire, 34 – 18 AWG Magnet Wire, SIAMEZE

[View on TE.com >](#)

Terminals & Splices > Magnet Wire Terminals



Magnet Wire Terminal Type: **Solder Post**

Mating Tab Width: **1.5 mm [.059 in]**

Mating Tab Thickness: **.81 mm [.032 in]**

Magnet Wire Size: **.16 – 1.02 mm**

Features

Product Type Features

Compatible With Discrete Wire Type	Magnet Wire, Solid
------------------------------------	--------------------

Contact Features

Magnet Wire Terminal Type	Solder Post
Mating Tab Width	1.5 mm[.059 in]
Mating Tab Thickness	.81 mm[.032 in]
Terminal Plating Material	Tin
Terminal Orientation	Straight

Termination Features

Termination Method to Wire & Cable	Insulation Displacement (IDC)
------------------------------------	-------------------------------

Mechanical Attachment

Mating Retention Type	Barbs
-----------------------	-------

Dimensions

Terminal Height	8.38 mm[.33 in]
Magnet Wire Size	.16 – 1.02 mm



Stock Thickness (Magnet Wire Side)	.51 mm[.02 in]
------------------------------------	----------------

Product Length	22.96 mm[.904 in]
----------------	-------------------

Usage Conditions

Insulation Option	Uninsulated
-------------------	-------------

Operation/Application

Compatible With Wire Base Material	Copper
------------------------------------	--------

Packaging Features

Packaging Quantity	30000
--------------------	-------

Packaging Method	Reel
------------------	------

Other

Terminals & Splices Comment	Magnet wire 30 AWG or smaller also requires a wrap post per P/N 1601447, Magnet wire 30 AWG or smaller also requires a wrap post per Part Number 1601447, Recommended Pocket P/N 1601431
-----------------------------	--

Product Compliance

[For compliance documentation, visit the product page on TE.com>](#)

EU RoHS Directive 2011/65/EU	Compliant
------------------------------	-----------

EU ELV Directive 2000/53/EC	Compliant
-----------------------------	-----------

China RoHS 2 Directive MIIT Order No 32, 2016	No Restricted Materials Above Threshold
---	---

EU REACH Regulation (EC) No. 1907/2006	Current ECHA Candidate List: JUNE 2023 (235) Candidate List Declared Against: JUNE 2023 (235) Does not contain REACH SVHC
--	---

Halogen Content	Low Halogen - Br, Cl, F, I < 900 ppm per homogenous material. Also BFR/CFR/PVC Free
-----------------	---

Solder Process Capability	Not applicable for solder process capability
---------------------------	--

Product Compliance Disclaimer

This information is provided based on reasonable inquiry of our suppliers and represents our current actual knowledge based on the information they provided. This information is subject to change. The part numbers that TE has identified as EU RoHS compliant have a maximum concentration of 0.1% by weight in homogenous materials for lead, hexavalent chromium, mercury, PBB, PBDE, DBP, BBP, DEHP, DIBP, and 0.01% for cadmium, or qualify for an exemption to these limits as defined in the Annexes of Directive 2011/65/EU (RoHS2). Finished electrical and electronic equipment products will be CE marked as required by Directive 2011/65/EU. Components may not be CE marked. Additionally, the part numbers that TE has identified as EU ELV compliant have a maximum concentration of 0.1% by weight in homogenous materials for lead, hexavalent chromium, and mercury, and 0.01% for cadmium, or qualify for an exemption to these limits

as defined in the Annexes of Directive 2000/53/EC (ELV). Regarding the REACH Regulation, the information TE provides on SVHC in articles for this part number is based on the latest European Chemicals Agency (ECHA) 'Guidance on requirements for substances in articles' posted at this URL: <https://echa.europa.eu/guidance-documents/guidance-on-reach>

Compatible Parts



TE Part # 2-1601121-2
TAB PAIR, 1.50X0.81, FINESMZ



TE Part # 1601172-2
059 X 032 TAB STD SMZ TERM



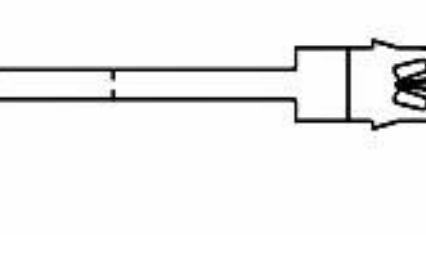
TE Part # 1601187-2
PSEUDO ROUND TAB STD SMZ



TE Part # 1601215-2
TAB, .059 X .032, STD SMZ



TE Part # 2-1601171-2
059 X 032 TAB STD SMZ TERM




TE Part # 2-1601187-2
PSEUDO ROUND TAB STD SMZ



TE Part # 1601431
531-016-000= POCKET SPECIFICATION

Also in the Series | SIAMEZE



Insertion & Extraction Tools(1)



Magnet Wire Terminals(196)

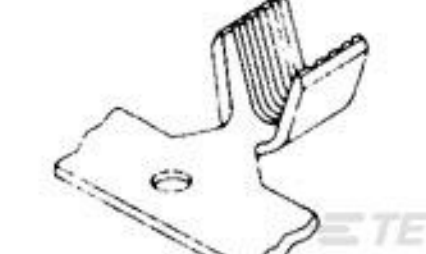
Customers Also Bought



TE Part #3-2176070-7
3521 330R 1% 2W



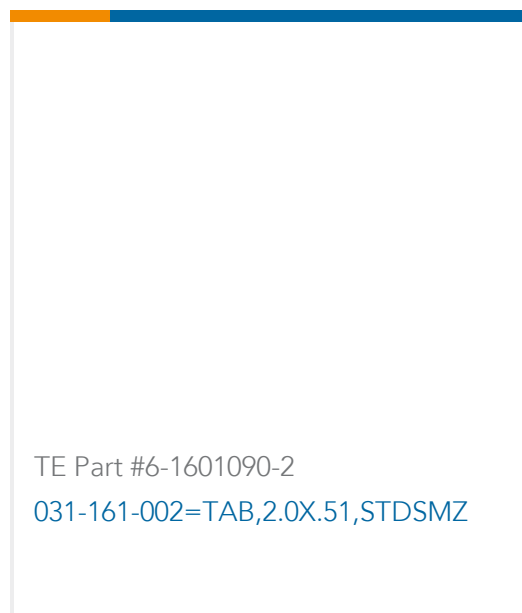
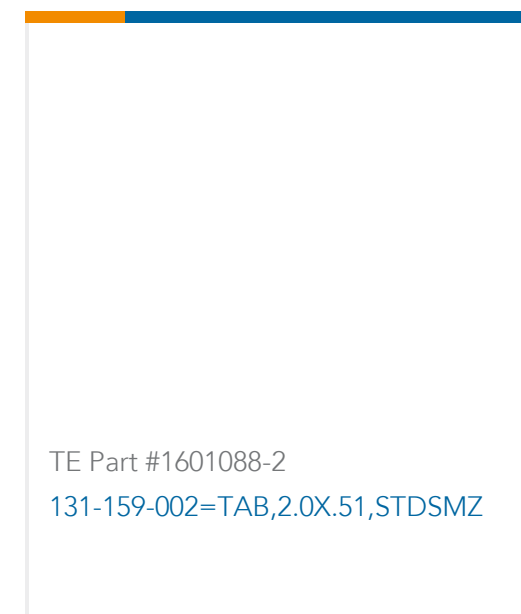
TE Part #1-1393219-7
PE514005



TE Part #63564-1
SPLICE AMVAR 2000-5400 020BR



TE Part #63810-1
TERMINAL MAG-MATE TAB TPBR



Documents

Product Drawings

[131-083-010=TAB,059X032,STD SMZ](#)

English

CAD Files

[3D PDF](#)

3D

Customer View Model

[ENG_CVM_CVM_1601037-2_B.2d_dxf.zip](#)

English

Customer View Model

[ENG_CVM_CVM_1601037-2_B.3d_igs.zip](#)

English

Customer View Model

[ENG_CVM_CVM_1601037-2_B.3d_stp.zip](#)

English

Customer View Model

[ENG_CVM_1601037-2_C1.3d_igs.zip](#)

English

Customer View Model

[ENG_CVM_1601037-2_C1.3d_stp.zip](#)

English

Customer View Model

[ENG_CVM_1601037-2_C1.2d_dxf.zip](#)

English

[3D PDF](#)

English



By downloading the CAD file I accept and agree to the [Terms and Conditions](#) of use.

Datasheets & Catalog Pages

[1654742_HOUSEHOLD_APPLIANCES_RAST5](#)

English

[Magnet Wire Terminals & Splices](#)

English

[1-1773702-7 _IDC_Magnet_Wire](#)

English

Product Specifications

[Application Specification](#)

English

Product Environmental Compliance

[Product Compliance](#)

English

[Product Compliance](#)

English