



SIAMEZE

TE Internal #: 1601009-4

Magnet Wire Terminals, Solder Post, Mating Tab Width .04 in [1.02 mm], .16 – 1.02 mm Magnet Wire, 34 – 18 AWG Magnet Wire, SIAMEZE

[View on TE.com >](#)

Terminals & Splices > Magnet Wire Terminals



Magnet Wire Terminal Type: **Solder Post**

Mating Tab Width: **1.02 mm [.04 in]**

Mating Tab Thickness: **.51 mm [.02 in]**

Magnet Wire Size: **.16 – 1.02 mm**

Features

Product Type Features

Compatible With Discrete Wire Type	Magnet Wire, Solid
------------------------------------	--------------------

Contact Features

Magnet Wire Terminal Type	Solder Post
Mating Tab Width	1.02 mm[.04 in]
Mating Tab Thickness	.51 mm[.02 in]
Terminal Plating Material	Tin
Contact Underplating Material	Nickel
Terminal Orientation	Straight

Termination Features

Termination Method to Wire & Cable	Insulation Displacement (IDC)
------------------------------------	-------------------------------

Mechanical Attachment

Mating Retention Type	Barbs
-----------------------	-------

Dimensions

Terminal Height	3.18 mm[.125 in]
-----------------	------------------



Magnet Wire Size	.16 – 1.02 mm
Stock Thickness (Magnet Wire Side)	.51 mm[.02 in]
Product Length	8.76 mm[.345 in]

Usage Conditions

Insulation Option	Uninsulated
-------------------	-------------

Operation/Application

Compatible With Wire Base Material	Copper
------------------------------------	--------

Packaging Features

Packaging Quantity	30000
Packaging Method	Reel

Other

Terminals & Splices Comment	Magnet wire 30 AWG or smaller also requires a wrap post per P/N 1601447, Magnet wire 30 AWG or smaller also requires a wrap post per Part Number 1601447, Recommended Pocket P/N 1601424
-----------------------------	--

Product Compliance

[For compliance documentation, visit the product page on TE.com>](#)

EU RoHS Directive 2011/65/EU	Compliant
EU ELV Directive 2000/53/EC	Compliant
China RoHS 2 Directive MIIT Order No 32, 2016	No Restricted Materials Above Threshold
EU REACH Regulation (EC) No. 1907/2006	Current ECHA Candidate List: JUNE 2023 (235) Candidate List Declared Against: JUNE 2023 (235) Does not contain REACH SVHC
Halogen Content	Low Halogen - Br, Cl, F, I < 900 ppm per homogenous material. Also BFR/CFR/PVC Free
Solder Process Capability	Wave solder capable to 265°C

Product Compliance Disclaimer

This information is provided based on reasonable inquiry of our suppliers and represents our current actual knowledge based on the information they provided. This information is subject to change. The part numbers that TE has identified as EU RoHS compliant have a maximum concentration of 0.1% by weight in homogenous materials for lead, hexavalent chromium, mercury, PBB, PBDE, DBP, BBP, DEHP, DIBP, and 0.01% for cadmium, or qualify for an exemption to these limits as defined in the Annexes of Directive 2011/65/EU (RoHS2). Finished electrical and electronic equipment products will be CE marked as required by Directive 2011/65/EU. Components may not be CE marked. Additionally, the part

numbers that TE has identified as EU ELV compliant have a maximum concentration of 0.1% by weight in homogenous materials for lead, hexavalent chromium, and mercury, and 0.01% for cadmium, or qualify for an exemption to these limits as defined in the Annexes of Directive 2000/53/EC (ELV). Regarding the REACH Regulation, the information TE provides on SVHC in articles for this part number is based on the latest European Chemicals Agency (ECHA) 'Guidance on requirements for substances in articles' posted at this URL: <https://echa.europa.eu/guidance-documents/guidance-on-reach>

Compatible Parts



TE Part # 2-1601042-2
131-090-120=PIN,024SQ,STD,SMZ



TE Part # 2-1601083-2
131-154-025=CONTACTOR,STD,SMZ



TE Part # 1601009-5
TAB,PCB,STD,SMZ



TE Part # 1601011-2
TAB,187 X 020,STD,SMZ



TE Part # 1601021-5
TAB,187X020,STD,SMZ



TE Part # 1601144-3
159-003-120=PIN,024SQ,MMD,SMZ



TE Part # 2-1601243-2
TAB,.118 X .020,STD,SMZ




TE Part # 4-1601000-2
031-001-001=WIRE2WIRE,STD,SMZ



TE Part # 1601424
531-006-000=POCKET SPECIFICATION

Also in the Series | SIAMEZE



Insertion & Extraction Tools(1)



Magnet Wire Terminals(196)

Customers Also Bought



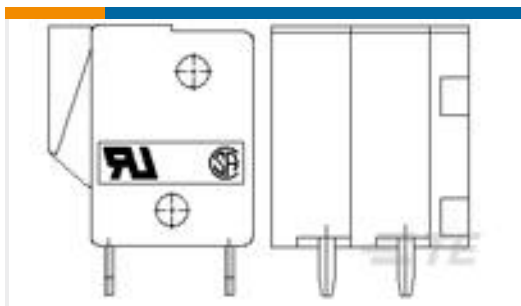
TE Part #8-323994-2
SPLICE BUTT PIDG 26-22



TE Part #1-1478762-5
METAL BACKSHELL 15 WAY TOP E



TE Part #1601000-1
131-001-000=WIRE2WIRE,STD,SMZ



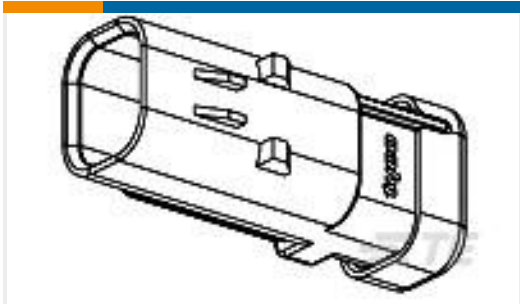
TE Part #1-1776259-2
Bd Mt Screwless, 5.0mm Top Wir



TE Part #6116353-4
INV MJ,1X2,PNL GRD,LED (Y/G)



TE Part #5053442012
RFN-100-3-0-STK



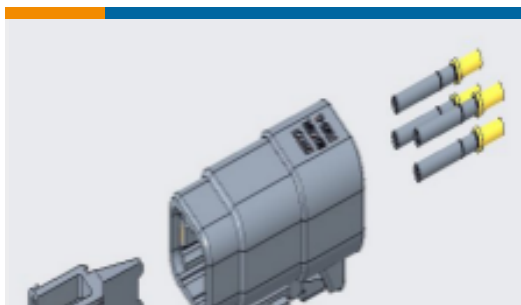
TE Part #776428-3
AS 16, 2P CAP ASSY, KEY 3



TE Part #1056030001
D-SCE-1K-3.2-50-S1-4



TE Part #62131-3
CLSTR PIN RCPT



TE Part #DTM06-4S-COMPLETE
DTM06-4S W/ WEDGELOCK AND
TERMINALS

Documents

Product Drawings

[PC TAB STANDARD SIAMEZE](#)

English

[PC TAB STANDARD SIAMEZE](#)

English

CAD Files

[3D PDF](#)

3D

Customer View Model

[ENG_CVM_CVM_1601009-4_G_c-1601009-4-g.2d_dxf.zip](#)

English

Customer View Model

[ENG_CVM_CVM_1601009-4_G_c-1601009-4-g.3d_igs.zip](#)

English

Customer View Model

[ENG_CVM_CVM_1601009-4_G_c-1601009-4-g.3d_stp.zip](#)

English

By downloading the CAD file I accept and agree to the [Terms and Conditions](#) of use.



Datasheets & Catalog Pages

Magnet Wire Terminals & Splices

English

1-1773702-7 _IDC_Magnet_Wire

English

Product Specifications

Application Specification

English

Product Environmental Compliance

TE Material Declaration

English

Agency Approvals

UL Report

English