

SIAMEZE

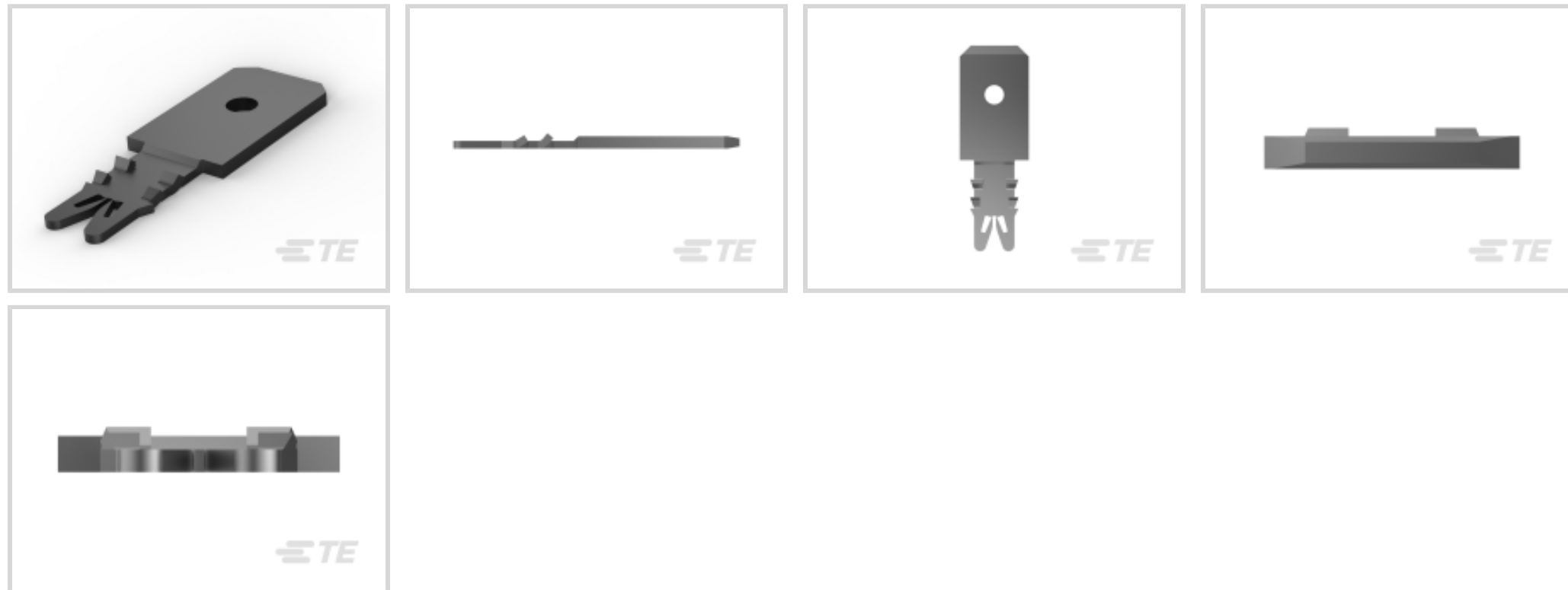
TE Internal #: 1601002-2

Magnet Wire Terminals, Tab, Mating Tab Width .25 in [6.35 mm], .16 – 1.02 mm Magnet Wire, 34 – 18 AWG Magnet Wire, SIAMEZE

[View on TE.com >](#)



Terminals & Splices > Magnet Wire Terminals



Magnet Wire Terminal Type: **Tab**

Mating Tab Width: **6.35 mm [.25 in]**

Mating Tab Thickness: **.81 mm [.032 in]**

Magnet Wire Size: **.16 – 1.02 mm**

Features

Product Type Features

Compatible With Discrete Wire Type	Magnet Wire, Solid
------------------------------------	--------------------

Contact Features

Magnet Wire Terminal Type	Tab
Mating Tab Width	6.35 mm[.25 in]
Mating Tab Thickness	.81 mm[.032 in]
Terminal Plating Material	Tin
Terminal Orientation	Straight

Termination Features

Termination Method to Wire & Cable	Insulation Displacement (IDC)
------------------------------------	-------------------------------

Mechanical Attachment

Mating Retention Type	Barbs, Hole
-----------------------	-------------

Dimensions

Terminal Height	8.38 mm[.33 in]
Magnet Wire Size	.16 – 1.02 mm
Stock Thickness (Magnet Wire Side)	.51 mm[.02 in]



Product Length 18.92 mm[.745 in]

Usage Conditions

Insulation Option Uninsulated

Operation/Application

Compatible With Wire Base Material Copper

Packaging Features

Packaging Quantity 2000

Packaging Method Reel

Other

Terminals & Splices Comment Inserted height above the pocket is 10.54 mm [.415 in.], Inserted height above the pocket is 10.54mm [.415]., Magnet wire 30 AWG or smaller also requires a wrap post per P/N 1601447, Recommended Pocket P /N 1601425

Product Compliance

[For compliance documentation, visit the product page on TE.com>](#)

EU RoHS Directive 2011/65/EU Compliant

EU ELV Directive 2000/53/EC Compliant

China RoHS 2 Directive MIIT Order No 32, 2016 No Restricted Materials Above Threshold

EU REACH Regulation (EC) No. 1907/2006
 Current ECHA Candidate List: JUNE 2023 (235)
 Candidate List Declared Against: JUNE 2023 (235)
 Does not contain REACH SVHC

Halogen Content Low Halogen - Br, Cl, F, I < 900 ppm per homogenous material. Also BFR/CFR/PVC Free

Solder Process Capability Not applicable for solder process capability

Product Compliance Disclaimer

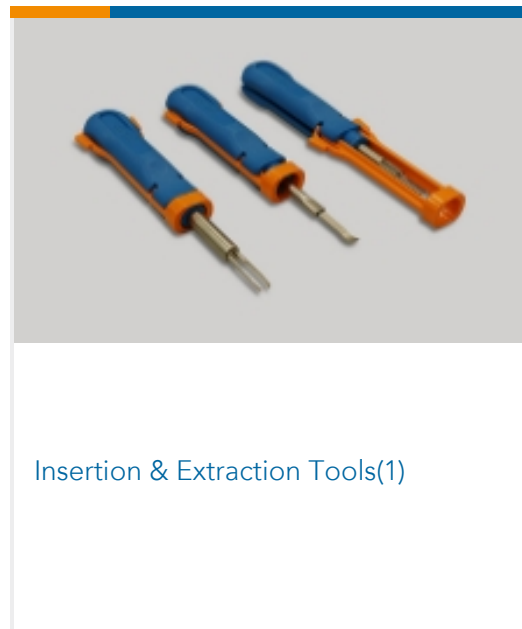
This information is provided based on reasonable inquiry of our suppliers and represents our current actual knowledge based on the information they provided. This information is subject to change. The part numbers that TE has identified as EU RoHS compliant have a maximum concentration of 0.1% by weight in homogenous materials for lead, hexavalent chromium, mercury, PBB, PBDE, DBP, BBP, DEHP, DIBP, and 0.01% for cadmium, or qualify for an exemption to these limits as defined in the Annexes of Directive 2011/65/EU (RoHS2). Finished electrical and electronic equipment products will be CE marked as required by Directive 2011/65/EU. Components may not be CE marked. Additionally, the part numbers that TE has identified as EU ELV compliant have a maximum concentration of 0.1% by weight in homogenous materials for lead, hexavalent chromium, and mercury, and 0.01% for cadmium, or qualify for an exemption to these limits as defined in the Annexes of Directive 2000/53/EC (ELV). Regarding the REACH Regulation, the information TE provides

on SVHC in articles for this part number is based on the latest European Chemicals Agency (ECHA) 'Guidance on requirements for substances in articles' posted at this URL: <https://echa.europa.eu/guidance-documents/guidance-on-reach>

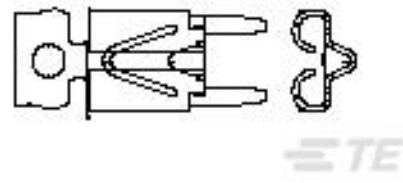
Compatible Parts



Also in the Series | SIAMEZE



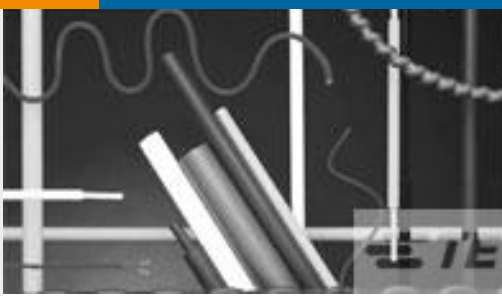
Customers Also Bought

TE Part #1217080-1
FASTON 205/250 PCB MOUNTED
TPBR



TE Part #638112-1
PIN, SF, SIZE 16, 14-18 AWG,NO INS,
AU/SN



TE Part #6823356005
CGPT-6/2-0-20MM



TE Part #4-2209520-5
46POS,MCON 1.2,REC HSG ASSY,SLD

TE Part #2373915-1
FAKRA CABLE ASSEMBLY

TE Part #2382370-1
CD764 FAKRA CABLE ASSEMBLY

TE Part #4-2141968-2
46POS,0.64 GENER. Y,REC HSG ASSY,
SLD

TE Part #2386574-2
CD542 RSB FAKRA CABLE ASSEMBLY

TE Part #2386572-2
CD542 RSB FAKRA CABLE ASSEMBLY

TE Part #2386575-2
CD542 RSB FAKRA CABLE ASSEMBLY

Documents

Product Drawings

[131-055-002=TAB,250X032,STDSMZ](#)

English

[131-055-002=TAB,250X032,STDSMZ](#)

English

CAD Files

[3D PDF](#)

3D

Customer View Model

[ENG_CVM_CVM_1601002-2_G.2d_dxf.zip](#)

English

Customer View Model

[ENG_CVM_CVM_1601002-2_G.3d_igs.zip](#)

English

Customer View Model

[ENG_CVM_CVM_1601002-2_G.3d_stp.zip](#)

English



Customer View Model

[ENG_CVM_1601002-2_D2.3d_igs.zip](#)

English

Customer View Model

[ENG_CVM_1601002-2_D2.3d_stp.zip](#)

English

Customer View Model

[ENG_CVM_1601002-2_D2.2d_dxf.zip](#)

English

3D PDF

English

By downloading the CAD file I accept and agree to the [Terms and Conditions](#) of use.

Datasheets & Catalog Pages

[1654742_HOUSEHOLD_APPLIANCES_RAST5](#)

English

Magnet Wire Terminals & Splices

English

[1-1773702-7_IDC_Magnet_Wire](#)

English

Product Specifications

[Application Specification](#)

English

Product Environmental Compliance

[TE Material Declaration](#)

English

Agency Approvals

[UL Report](#)

English