

1601000-1 ✓ ACTIVE

SIAMEZE

TE Internal #: 1601000-1

Magnet Wire Terminals, Wire-to-Wire, Lead Wire Size 22 – 18 AWG,

Lead Wire Size .3 – .8 mm², .16 – 1.02 mm Magnet Wire, SIAMEZE

[View on TE.com >](#)



Terminals & Splices > Magnet Wire Terminals



Magnet Wire Terminal Type: **Wire-to-Wire**

Lead Wire Size: **.3 – .8 mm²**

Magnet Wire Size: **.16 – 1.02 mm**

Features

Product Type Features

Compatible With Discrete Wire Type

Magnet Wire, Solid

Contact Features

Magnet Wire Terminal Type

Wire-to-Wire

Terminal Plating Material

Unplated

Terminal Orientation

Straight

Mechanical Attachment

Wire Insulation Support

With

Dimensions

Terminal Height

3.18 mm[.125 in]

Lead Wire Size

.3 – .8 mm²

Magnet Wire Size

.16 – 1.02 mm

Stock Thickness (Magnet Wire Side)

.64 mm[.025 in]

Product Length

6.84 mm[.269 in]

Usage Conditions

Insulation Option

Uninsulated



Operation/Application

Compatible With Wire Base Material	Copper
------------------------------------	--------

Packaging Features

Packaging Quantity	50000
Packaging Method	Reel

Other

Terminals & Splices Comment	Lead wire may be stranded, solid or bonded with 105° C PVC insulation. Contact TE when using lead wires with other types of insulation., Magnet wire 30 AWG or smaller also requires a wrap post per P/N 1601447, Recommended Pocket P/N 1601421, Recommended Pocket P/N 1601462, Recommended Pocket P/N 1601463
-----------------------------	--

Product Compliance

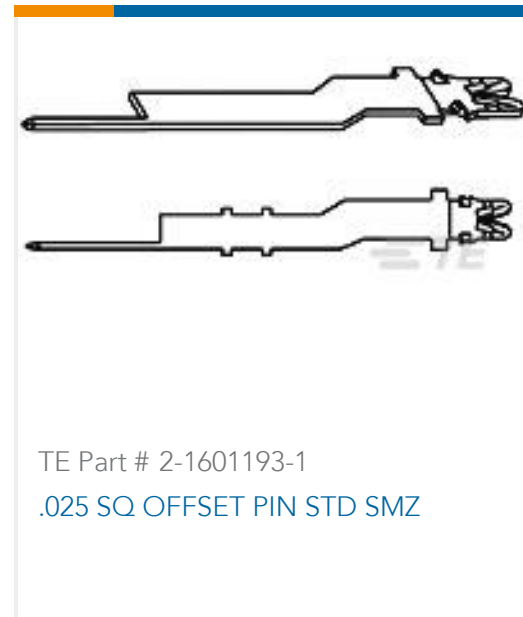
[For compliance documentation, visit the product page on TE.com>](#)

EU RoHS Directive 2011/65/EU	Compliant
EU ELV Directive 2000/53/EC	Compliant
China RoHS 2 Directive MIIT Order No 32, 2016	No Restricted Materials Above Threshold
EU REACH Regulation (EC) No. 1907/2006	Current ECHA Candidate List: JUNE 2023 (235) Candidate List Declared Against: JUNE 2023 (235) Does not contain REACH SVHC
Halogen Content	Low Halogen - Br, Cl, F, I < 900 ppm per homogenous material. Also BFR/CFR/PVC Free
Solder Process Capability	Not applicable for solder process capability

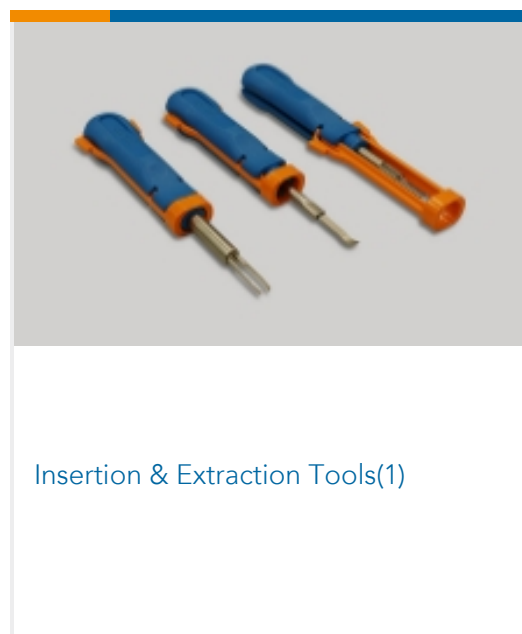
Product Compliance Disclaimer

This information is provided based on reasonable inquiry of our suppliers and represents our current actual knowledge based on the information they provided. This information is subject to change. The part numbers that TE has identified as EU RoHS compliant have a maximum concentration of 0.1% by weight in homogenous materials for lead, hexavalent chromium, mercury, PBB, PBDE, DBP, BBP, DEHP, DIBP, and 0.01% for cadmium, or qualify for an exemption to these limits as defined in the Annexes of Directive 2011/65/EU (RoHS2). Finished electrical and electronic equipment products will be CE marked as required by Directive 2011/65/EU. Components may not be CE marked. Additionally, the part numbers that TE has identified as EU ELV compliant have a maximum concentration of 0.1% by weight in homogenous materials for lead, hexavalent chromium, and mercury, and 0.01% for cadmium, or qualify for an exemption to these limits as defined in the Annexes of Directive 2000/53/EC (ELV). Regarding the REACH Regulation, the information TE provides on SVHC in articles for this part number is based on the latest European Chemicals Agency (ECHA) 'Guidance on requirements for substances in articles' posted at this URL: <https://echa.europa.eu/guidance-documents/guidance-on-reach>

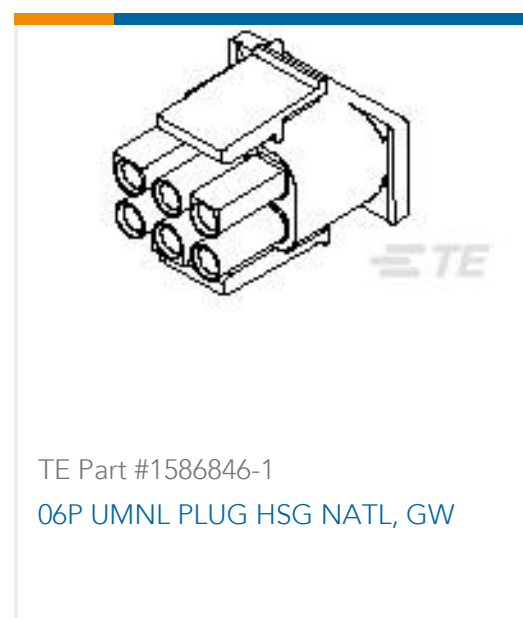
Compatible Parts

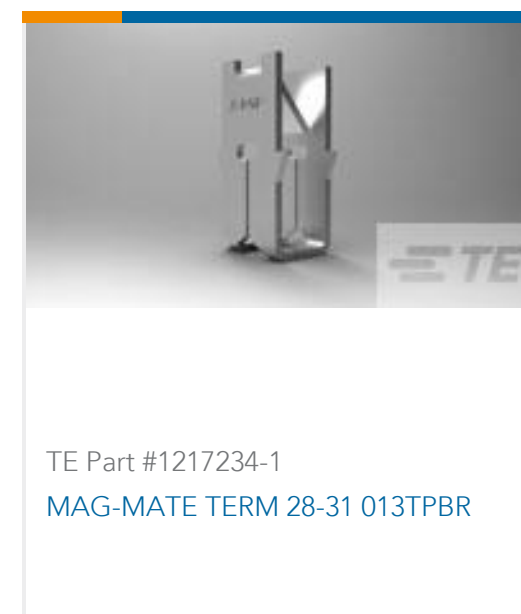


Also in the Series | SIAMEZE



Customers Also Bought





Documents

Product Drawings

[131-001-000=WIRE2WIRE,STD,SMZ](#)

English

[131-001-000=WIRE2WIRE,STD,SMZ](#)

English

CAD Files

[3D PDF](#)

3D

Customer View Model

[ENG_CVM_CVM_1601000-1_F_c-1601000-1-f.2d_dxf.zip](#)

English

Customer View Model

[ENG_CVM_CVM_1601000-1_F_c-1601000-1-f.3d_igs.zip](#)

English

Customer View Model

[ENG_CVM_CVM_1601000-1_F_c-1601000-1-f.3d_stp.zip](#)

English

By downloading the CAD file I accept and agree to the [Terms and Conditions](#) of use.

Datasheets & Catalog Pages

[1654742_HOUSEHOLD_APPLIANCES_RAST5](#)

English

[Magnet Wire Terminals & Splices](#)

English

[1-1773702-7_IDC_Magnet_Wire](#)

English



Product Specifications

Application Specification

English

Product Environmental Compliance

TE Material Declaration

English

Agency Approvals

UL Report

English