



Connectors > Automotive Connectors > Power Distribution Boxes > Other Hard Wired Boxes > Sealed Fuse and Relay Boxes



Component Type: **Fuse Holder**

Fuse Type: **Mini ATM Fuse**

Number of Fuses (Maximum): **20**

Compatible With Relay Type: **280 Plug-In**

Number of Relays (Maximum): **6**

[All Sealed Fuse and Relay Boxes \(7\)](#)

Features

Product Type Features

Component Type	Fuse Holder
Fuse Type	Mini ATM Fuse
Compatible With Relay Type	280 Plug-In
Sealable	Yes

Configuration Features

Number of Fuses (Maximum)	20
Number of Relays (Maximum)	6
Number of Positions	40

Electrical Characteristics

Nominal Voltage Architecture	12 V, 24 V
------------------------------	------------

Body Features

Secondary Locking	No
-------------------	----

Contact Features

--	--



Contact Current Rating (Max)	20 A
------------------------------	------

Housing Features

Centerline (Pitch)	7.8 mm, 8.13 mm [.307 in] [.32 in]
--------------------	------------------------------------

Usage Conditions

Operating Temperature (Max)	125 °C [257 °F]
-----------------------------	-----------------

Operating Temperature Range	-40 – 125 °C [-40 – 257 °F]
-----------------------------	-----------------------------

Industry Standards

IP Rating	IP67
-----------	------

Product Compliance

[For compliance documentation, visit the product page on TE.com>](#)

EU RoHS Directive 2011/65/EU	Compliant
------------------------------	-----------

EU ELV Directive 2000/53/EC	Compliant
-----------------------------	-----------

China RoHS 2 Directive MIIT Order No 32, 2016	No Restricted Materials Above Threshold
---	---

EU REACH Regulation (EC) No. 1907/2006	Current ECHA Candidate List: JUNE 2023 (235) Candidate List Declared Against: JUNE 2022 (224) Does not contain REACH SVHC
--	---

Halogen Content	Low Halogen - Br, Cl, F, I < 900 ppm per homogenous material. Also BFR/CFR/PVC Free
-----------------	---

Solder Process Capability	Not applicable for solder process capability
---------------------------	--

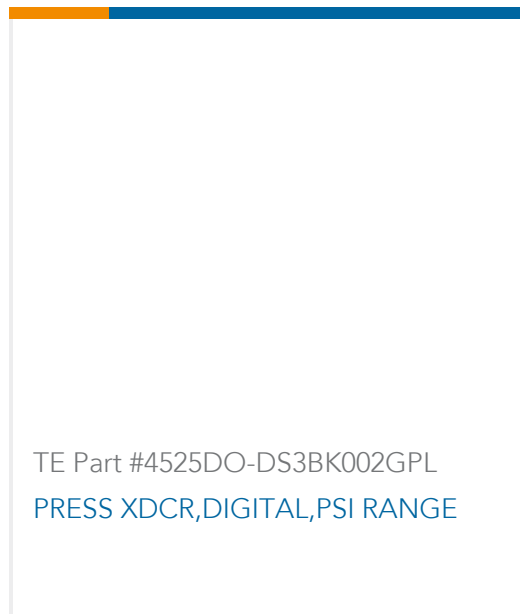
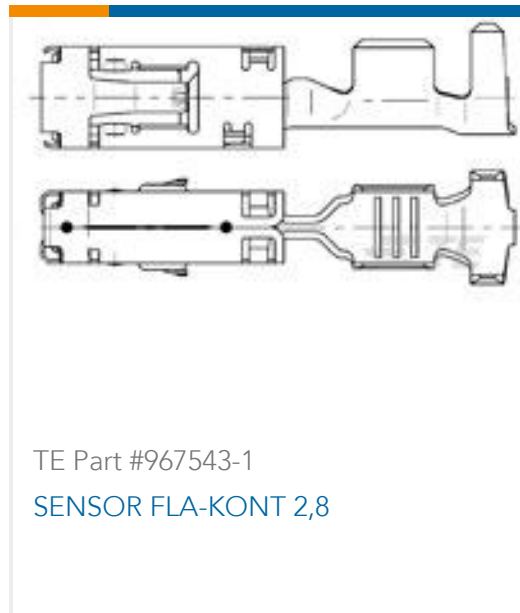
Product Compliance Disclaimer

This information is provided based on reasonable inquiry of our suppliers and represents our current actual knowledge based on the information they provided. This information is subject to change. The part numbers that TE has identified as EU RoHS compliant have a maximum concentration of 0.1% by weight in homogenous materials for lead, hexavalent chromium, mercury, PBB, PBDE, DBP, BBP, DEHP, DIBP, and 0.01% for cadmium, or qualify for an exemption to these limits as defined in the Annexes of Directive 2011/65/EU (RoHS2). Finished electrical and electronic equipment products will be CE marked as required by Directive 2011/65/EU. Components may not be CE marked. Additionally, the part numbers that TE has identified as EU ELV compliant have a maximum concentration of 0.1% by weight in homogenous materials for lead, hexavalent chromium, and mercury, and 0.01% for cadmium, or qualify for an exemption to these limits as defined in the Annexes of Directive 2000/53/EC (ELV). Regarding the REACH Regulation, the information TE provides on SVHC in articles for this part number is based on the latest European Chemicals Agency (ECHA) 'Guidance on requirements for substances in articles' posted at this URL: <https://echa.europa.eu/guidance-documents/guidance-on-reach>

Compatible Parts



Customers Also Bought



Documents

Product Drawings

[BASE ASSEMBLY, 40 POSITION](#)

English

CAD Files

[Customer View Model](#)

[ENG_CVM_CVM_1587335-1_O.2d_dxf.zip](#)

English

[3D PDF](#)



3D

Customer View Model

[ENG_CVM_CVM_1587335-1_O.3d_igs.zip](#)

English

Customer View Model

[ENG_CVM_CVM_1587335-1_O.3d_stp.zip](#)

English

By downloading the CAD file I accept and agree to the [Terms and Conditions](#) of use.

Datasheets & Catalog Pages

[ICT Fuse and Relay Enclosures](#)

English

Product Specifications

[Product Specification](#)

English