



MATE-N-LOK | Mini-Universal MATE-N-LOK

TE Internal #: 1586537-1

Connector Contacts, Pin, Tin, Tin, 600 VAC, 600 VDC, Locking Lance Contact Retention, Discrete Wire, 16 AWG Wire Size, Mini-Universal MATE-N-LOK

[View on TE.com >](#)

Connectors > Rectangular Connectors > Connector Contacts



Contact Type: **Pin**

Contact Mating Area Plating Material: **Tin**

Wire Contact Termination Area Plating Material: **Tin**

Operating Voltage: **600 VDC**

Features

Product Type Features

Discrete Wire Type	Stranded
Connector & Contact Terminates To	Wire & Cable

Configuration Features

Compatible With Wire & Cable Type	Discrete Wire
-----------------------------------	---------------

Electrical Characteristics

Operating Voltage	600 VDC
-------------------	---------

Contact Features

Contact Type	Pin
Contact Mating Area Plating Material	Tin
Wire Contact Termination Area Plating Material	Tin
Contact Retention Within Housing	With
Contact Base Material	Brass
Contact Current Rating (Max)	11.2 A

Termination Features

--	--



Termination Method to Wire & Cable	Crimp
------------------------------------	-------

Mechanical Attachment

Contact Retention Type Within Housing	Locking Lance
---------------------------------------	---------------

Dimensions

Compatible Insulation Diameter Range	3.3 mm[.13 in]
--------------------------------------	----------------

Wire Size	1.3 – 1.4 mm ²
-----------	---------------------------

Usage Conditions

Operating Temperature Range	-55 – 105 °C[-67 – 221 °F]
-----------------------------	----------------------------

Operation/Application

Circuit Application	Power
---------------------	-------

Packaging Features

Packaging Quantity	7000
--------------------	------

Packaging Method	Reel
------------------	------

Product Compliance

[For compliance documentation, visit the product page on TE.com>](#)

EU RoHS Directive 2011/65/EU	Compliant
------------------------------	-----------

EU ELV Directive 2000/53/EC	Compliant
-----------------------------	-----------

China RoHS 2 Directive MIIT Order No 32, 2016	No Restricted Materials Above Threshold
---	---

EU REACH Regulation (EC) No. 1907/2006	Current ECHA Candidate List: JUNE 2023 (235) Candidate List Declared Against: JUNE 2023 (235) Does not contain REACH SVHC
--	---

Halogen Content	Low Halogen - Br, Cl, F, I < 900 ppm per homogenous material. Also BFR/CFR/PVC Free
-----------------	---

Solder Process Capability	Not applicable for solder process capability
---------------------------	--

Product Compliance Disclaimer

This information is provided based on reasonable inquiry of our suppliers and represents our current actual knowledge based on the information they provided. This information is subject to change. The part numbers that TE has identified as EU RoHS compliant have a maximum concentration of 0.1% by weight in homogenous materials for lead, hexavalent chromium, mercury, PBB, PBDE, DBP, BBP, DEHP, DIBP, and 0.01% for cadmium, or qualify for an exemption to these limits as defined in the Annexes of Directive 2011/65/EU (RoHS2). Finished electrical and electronic equipment products will be CE marked as required by Directive 2011/65/EU. Components may not be CE marked. Additionally, the part numbers that TE has identified as EU ELV compliant have a maximum concentration of 0.1% by weight in homogenous materials for lead, hexavalent chromium, and mercury, and 0.01% for cadmium, or qualify for an exemption to these limits as defined in the Annexes of Directive 2000/53/EC (ELV). Regarding the REACH Regulation, the information TE provides on SVHC in articles for this part number is based on the latest European Chemicals Agency (ECHA) 'Guidance on

requirements for substances in articles' posted at this URL: <https://echa.europa.eu/guidance-documents/guidance-on-reach>

Compatible Parts

TE Part # 2305570-1
Strip Terminal Cutter-Side Feed-No Crimp

TE Part # 1804250-2
SDE PRO-CRIMPER DIE ASSEMBLY

TE Part # 2-2266574-1
OCEAN_2.0_Applicator-S-062F

TE Part # 2-2266574-2
OCEAN_2.0_Applicator-S-062F

TE Part # 2266574-1
OCEAN_2.0_Applicator-S-062F

TE Part # 2266574-2
OCEAN_2.0_Applicator-S-062F

TE Part # 7-2266574-1
OCEAN_2.0_Applicator-S-062F

TE Part # 7-2266574-2
OCEAN_2.0_Applicator-S-062F

KIT
TE Part # 7-2266574-7
OCEAN_2.0_SPARE_PART_KIT-062F

TE Part # 794894-3
02P MINI UMNL PLUGS WIRE HOLES

TE Part # 794896-3
2 CIR MINI UMNL RND WIRE HOLES

TE Part # 1804250-1
SDE PRO-CRIMPER TOOL & DIE

Also in the Series | Mini-Universal MATE-N-LOK

Connector Caps & Covers(2)

Connector Contacts(8)

Connector Seals & Cavity Plugs(17)

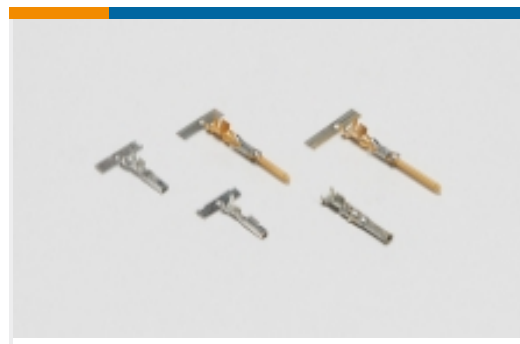
Connector Strain Relief(2)



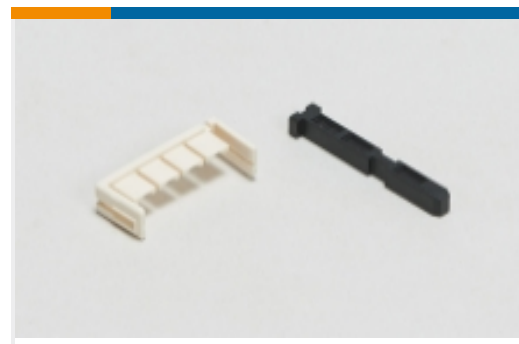
Insertion & Extraction Tools(1)



PCB Headers & Receptacles(1)



Power Contacts(84)



Rectangular Connector Keying Plugs(2)



Rectangular Connector Locking(2)

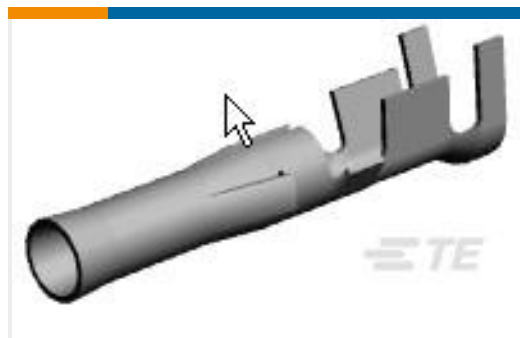


Rectangular Power Connectors(244)

Customers Also Bought



TE Part #1-770250-0
UMNL II PIN SN/AUNI/BR LP20-14



TE Part #770144-1
.093 CP&S SOK PTPBR L/P 20-14



TE Part #1586359-4
04P MINIUMNL GANG WIRE SEAL DR



TE Part #770027-1
06P UMNLII IN-LINE CAP HSG KIT



TE Part #1-770970-0
08P MINI UMNL R/A HDR ASSY SN



TE Part #794772-2
02P MINI UMNL SEAL,DIE CUT



TE Part #794406-1
MINI UMNL CONT 20-16AWG SN



TE Part #1586359-2
02P MINIUMNL GANG WIRE SEAL DR



TE Part #1-1879350-5
RR01 5% R82 AMMO



TE Part #1-1721150-3
ORWH-SH-112D1F,000

Documents



Product Drawings

MINI UMNL PIN SN 16 AWG

English

CAD Files

3D PDF

3D

Customer View Model

[ENG_CVM_CVM_1586537-1_A_c-1586537-1-a.2d_dxf.zip](#)

English

Customer View Model

[ENG_CVM_CVM_1586537-1_A_c-1586537-1-a.3d_igs.zip](#)

English

Customer View Model

[ENG_CVM_CVM_1586537-1_A_c-1586537-1-a.3d_stp.zip](#)

English

By downloading the CAD file I accept and agree to the [Terms and Conditions](#) of use.

Datasheets & Catalog Pages

SOFT_SHELL_PIN_AND_SOCKET_CONNECTORS_CATALOG

English

Product Specifications

Application Specification

English

Instruction Sheets

Instruction Sheet (U.S.)

English