



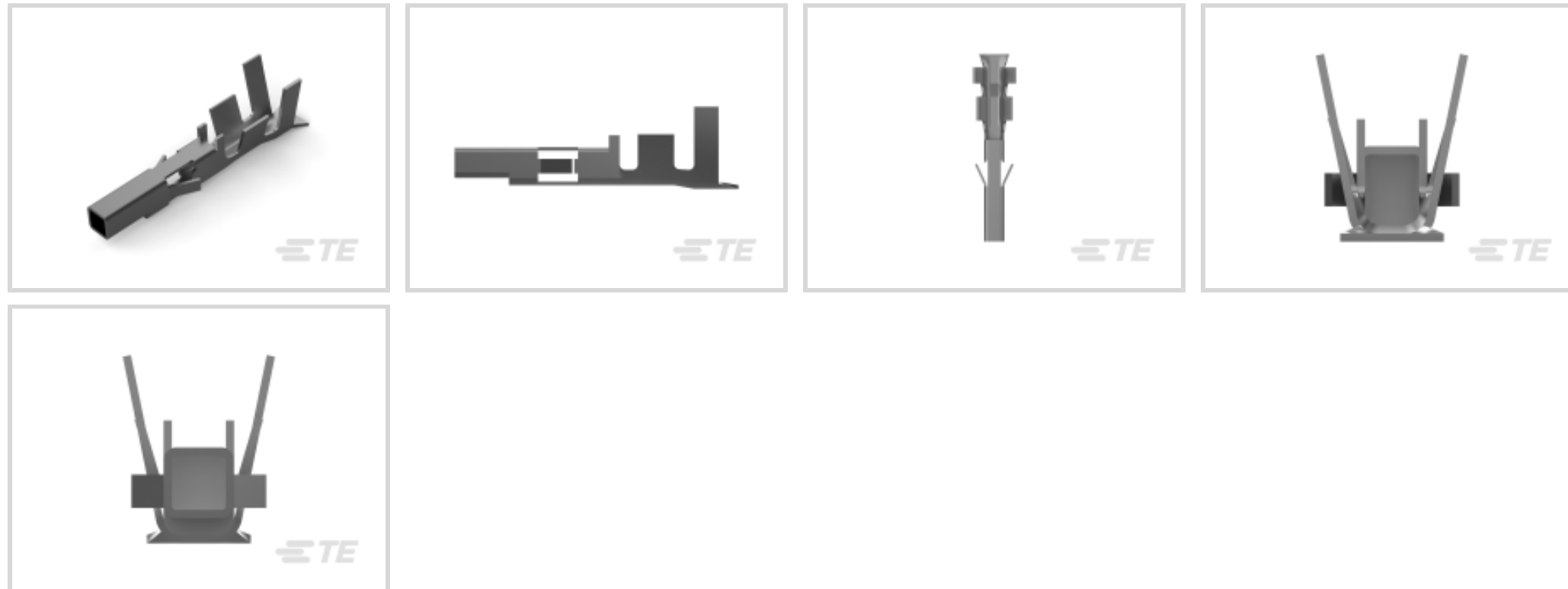
VAL-U-LOK

TE Internal #: 1586055-3

Power Contacts, Contact, 600 VAC, 600 VDC, Tin, 16 AWG Wire Size, 1.31 mm² Wire Size, Wire & Cable, Crimp, Power, Socket, -40 – 105 °C [-40 – 221 °F]

[View on TE.com >](#)

Connectors > Power Connectors > Power Contacts



Power Contact Type: **Contact**

Operating Voltage: **600 VDC**

Contact Mating Area Plating Material: **Tin**

Wire Size: **16 AWG**

Features

Product Type Features

Power Contact Type	Contact
Sealable	No
Connector & Contact Terminates To	Wire & Cable

Electrical Characteristics

Operating Voltage	600 VDC
-------------------	---------

Contact Features

Contact Shape & Form	Single Beam
Contact Mating Area Plating Material	Tin
Contact Current Rating (Max)	9 A
Contact Type	Socket
Contact Retention Within Housing	With
Mating Square Post Dimension	1.14 mm[.045 in]
Contact Base Material	Brass
Contact Mating Area Plating Material Thickness	2.54 µm[100 µin]
Contact Mating Area Plating Material Finish	Bright



Wire Contact Termination Area Plating Thickness	2.54 µm[100 µin]
Wire Contact Termination Area Plating Material	Pre-Tin
Wire Contact Termination Area Plating Material Finish	Bright
Contact Orientation	Straight

Termination Features

Termination Method to Wire & Cable	Crimp
------------------------------------	-------

Mechanical Attachment

Wire Insulation Support	Without
-------------------------	---------

Dimensions

Wire Size	1.31 mm ²
Compatible Insulation Diameter Range	3.1 mm[.122 in]

Usage Conditions

Operating Temperature Range	-40 – 105 °C[-40 – 221 °F]
-----------------------------	----------------------------

Operation/Application

Circuit Application	Power
---------------------	-------

Packaging Features

Packaging Method	Reel
------------------	------

Product Compliance

[For compliance documentation, visit the product page on TE.com>](#)

EU RoHS Directive 2011/65/EU	Compliant
EU ELV Directive 2000/53/EC	Compliant
China RoHS 2 Directive MIIT Order No 32, 2016	No Restricted Materials Above Threshold
EU REACH Regulation (EC) No. 1907/2006	Current ECHA Candidate List: JUNE 2023 (235) Candidate List Declared Against: JUNE 2023 (235) Does not contain REACH SVHC
Halogen Content	Low Halogen - Br, Cl, F, I < 900 ppm per homogenous material. Also BFR/CFR/PVC Free
Solder Process Capability	Not applicable for solder process capability

Product Compliance Disclaimer

This information is provided based on reasonable inquiry of our suppliers and represents our current actual knowledge based on the information they provided. This information is subject to change. The part numbers that TE has identified as EU RoHS compliant have a maximum concentration of 0.1% by weight in homogenous materials for lead, hexavalent chromium, mercury, PBB, PBDE, DBP, BBP, DEHP, DIBP, and 0.01% for cadmium, or qualify for an exemption to these limits as defined in the Annexes of Directive 2011/65/EU (RoHS2). Finished electrical and electronic equipment products will be CE marked as required by Directive 2011/65/EU. Components may not be CE marked. Additionally, the part numbers that TE has identified as EU ELV compliant have a maximum concentration of 0.1% by weight in homogenous materials for lead, hexavalent chromium, and mercury, and 0.01% for cadmium, or qualify for an exemption to these limits as defined in the Annexes of Directive 2000/53/EC (ELV). Regarding the REACH Regulation, the information TE provides on SVHC in articles for this part number is based on the latest European Chemicals Agency (ECHA) 'Guidance on requirements for substances in articles' posted at this URL: <https://echa.europa.eu/guidance-documents/guidance-on-reach>

Compatible Parts



TE Part # 2825209-1
VAL-U-LOK SKT 16AWG HCS SN LP



TE Part # 1976444-1
PRO-CRIMPER TOOL & DIE



TE Part # 1976444-2
SDE DIE SET, VAL-U-LOK



TE Part # 2-2151667-1
OCEAN_2.0_Applicator-S-070F125F



TE Part # 2-2151667-2
OCEAN_2.0_Applicator-S-070F125F



TE Part # 2151667-1
OCEAN_2.0_Applicator-S-070F125F



TE Part # 2151667-2
OCEAN_2.0_Applicator-S-070F125F



TE Part # 7-2151667-1
OCEAN_2.0_Applicator-S-070F125F



TE Part # 7-2151667-2
OCEAN_2.0_Applicator-S-070F125F



KIT
REPRESENTATION ONLY

TE Part # 7-2151667-7
OCEAN_2.0_SPARE_PART_KIT-070F125F

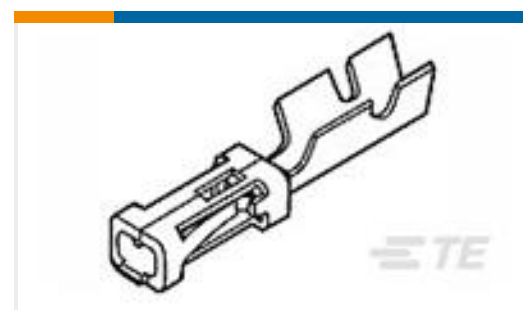


TE Part # 2238023-1
VAL-U-LOK SKT BR SN 26-22 LP

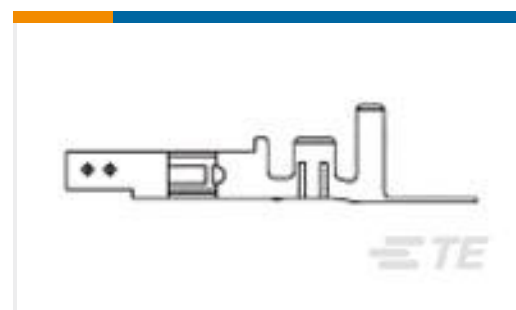
Customers Also Bought



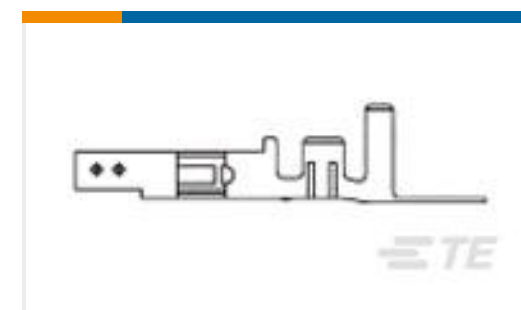
TE Part #320665
PG SPD 22-16 COMM 22-18 MIL 6



TE Part #6-87523-8
MOD IV RECP PLTD 30 DPLX



TE Part #794956-3
VAL-U-LOK SKT PHBZ SN 22-18AWG



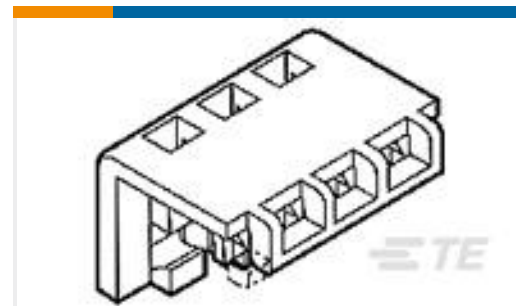
TE Part #794958-3
VAL-U-LOK SKT PHBZ SN 22-26AWG



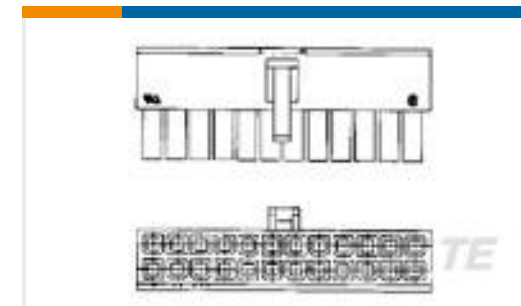
TE Part #147873-2
SWITCH,TACT,SMT,J-LEAD,4.3MM



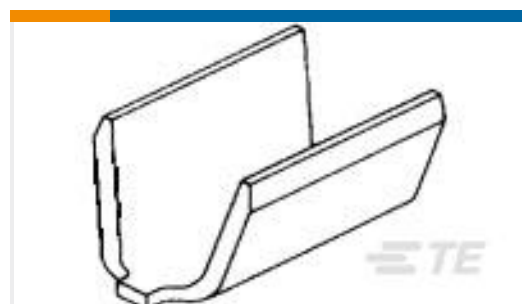
TE Part #1355719-1
MQSO,63 Sn tab LL unseal. 0,08-0,22



TE Part #1-643067-0
10P MTA156 MOLDED COVER



TE Part #1586019-6
6P RCPT VAL-U-LOK V0



TE Part #41459
SPLICE 800-2600 CMA BR

Documents

Product Drawings

[VAL-U-LOK SKT PHBZ SN 16AWG](#)

English

CAD Files

[3D PDF](#)

3D

Customer View Model

[ENG_CVM_CVM_1586055-3_C_c-1586055-3-c.2d_dxf.zip](#)

English

Customer View Model

[ENG_CVM_CVM_1586055-3_C_c-1586055-3-c.3d_igs.zip](#)

English

Customer View Model

[ENG_CVM_CVM_1586055-3_C_c-1586055-3-c.3d_stp.zip](#)

English

By downloading the CAD file I accept and agree to the [Terms and Conditions](#) of use.

Datasheets & Catalog Pages



SOFT_SHELL_PIN_AND_SOCKET_CONNECTORS_CATALOG

English

Product Specifications

Application Specification

English

Instruction Sheets

Instruction Sheet (U.S.)

English