



STRATO-THERM

TE Internal #: 1577639-1

Closed Ring Tongue Terminal, 14 – 12 AWG, M4 / #8 Stud Size, 4.34 mm [.171 in] Stud Diameter, Closed Barrel, Straight, Nickel, STRATO-THERM

[View on TE.com >](#)

Terminals & Splices > Ring Terminals



Ring Terminal Product Type: **Closed Ring Tongue Terminal**

Wire Size: **3260 – 8230 CMA**

Stud Size: **#8, M4**

Features

Product Type Features

Ring Terminal Product Type	Closed Ring Tongue Terminal
Stud Size	#8, M4
Sealable	No
Wire Insulation Support Retention Type	Non-Insulation Support

Contact Features

Barrel Type	Closed
Terminal Orientation	Straight
Terminal Plating Material	Nickel

Mechanical Attachment

Wire Insulation Support	Without
-------------------------	---------

Dimensions

Wire Size	3260 – 8230 CMA
Stud Diameter	4.34 mm [.171 in]
Tongue Thickness	.79 mm [.031 in]
Product Length	22.99 mm [.905 in]
Compatible Insulation Diameter (Max)	3.18 mm [.125 in]
Compatible Insulation Diameter Range	2.29 – 3.18 mm [.09 – .125 in]

Usage Conditions

Insulation Option	Partially Insulated
-------------------	---------------------



Operating Temperature Range 260 °C[500 °F]

Industry Standards

Government Qualified Terminal No

Packaging Features

Packaging Quantity 500

Packaging Method Bag/Box

Product Compliance

[For compliance documentation, visit the product page on TE.com>](#)

EU RoHS Directive 2011/65/EU Compliant

EU ELV Directive 2000/53/EC Compliant

China RoHS 2 Directive MIIT Order No 32, 2016 No Restricted Materials Above Threshold

EU REACH Regulation (EC) No. 1907/2006
Current ECHA Candidate List: JUNE 2023 (235)
Candidate List Declared Against: JUNE 2022 (224)
Does not contain REACH SVHC

Halogen Content Low Halogen - Br, Cl, F, I < 900 ppm per homogenous material. Also BFR/CFR/PVC Free

Solder Process Capability Not applicable for solder process capability

Product Compliance Disclaimer

This information is provided based on reasonable inquiry of our suppliers and represents our current actual knowledge based on the information they provided. This information is subject to change. The part numbers that TE has identified as EU RoHS compliant have a maximum concentration of 0.1% by weight in homogenous materials for lead, hexavalent chromium, mercury, PBB, PBDE, DBP, BBP, DEHP, DIBP, and 0.01% for cadmium, or qualify for an exemption to these limits as defined in the Annexes of Directive 2011/65/EU (RoHS2). Finished electrical and electronic equipment products will be CE marked as required by Directive 2011/65/EU. Components may not be CE marked. Additionally, the part numbers that TE has identified as EU ELV compliant have a maximum concentration of 0.1% by weight in homogenous materials for lead, hexavalent chromium, and mercury, and 0.01% for cadmium, or qualify for an exemption to these limits as defined in the Annexes of Directive 2000/53/EC (ELV). Regarding the REACH Regulation, the information TE provides on SVHC in articles for this part number is based on the latest European Chemicals Agency (ECHA) 'Guidance on requirements for substances in articles' posted at this URL: <https://echa.europa.eu/guidance-documents/guidance-on-reach>

Compatible Parts



TE Part # 576782
HHHT PIDG PEEK STRATO 14 ASSY



TE Part # 576783
HHHT PIDG PEEK STRATO 12 ASSY



TE Part # 576716
SAHT PIDG PEEK STRATO 14 DIE SET

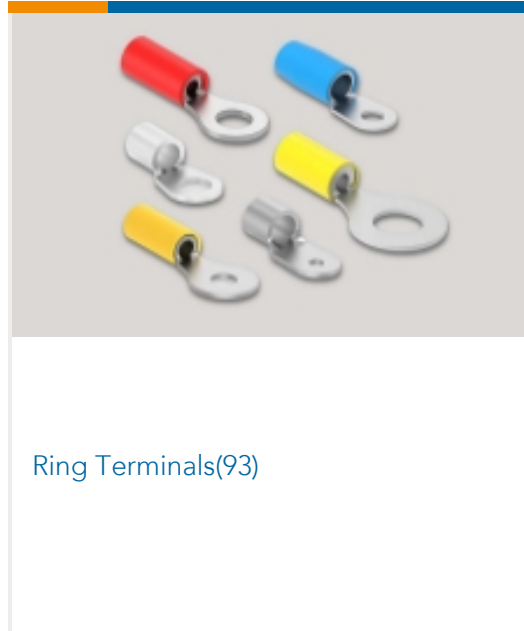


TE Part # 576742
SAHT PIDG PEEK STRATO 12 DIE SET

Also in the Series | STRATO-THERM



Crimp Wire Pins, Tabs & Ferrules(1)



Ring Terminals(93)

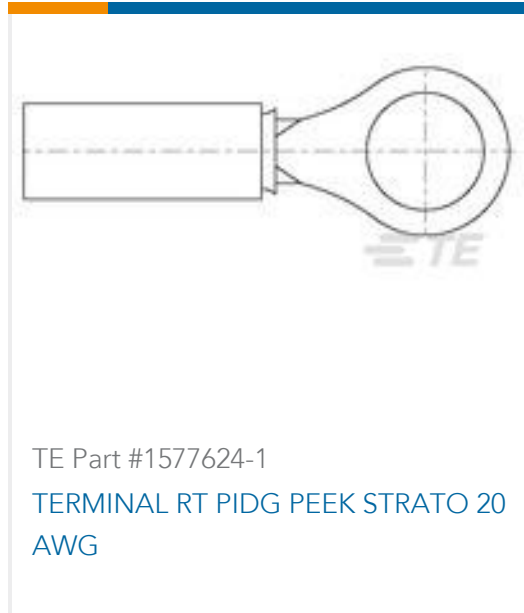


Splices(16)

Customers Also Bought



TE Part #134462-1
TERM, RING, STRAT, HR, SOLIS, 2, M6 (1/4)



TE Part #1577624-1
TERMINAL RT PIDG PEEK STRATO 20 AWG



TE Part #1577633-1
TERMINAL RT PIDG PEEK STRATO 18-16 AWG



TE Part #1577621-1
TERMINAL RT PIDG PEEK STRATO 24-22 AWG



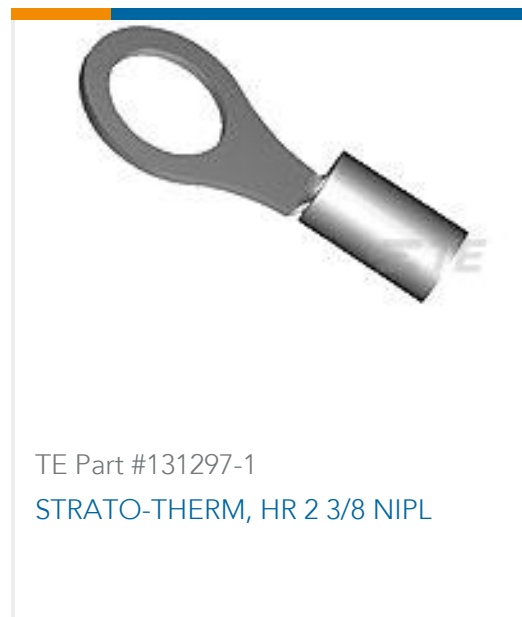
TE Part #1577619-1
TERMINAL RT PIDG PEEK STRATO 24-22 AWG



TE Part #1577620-1
TERMINAL RT PIDG PEEK STRATO 24-22 AWG



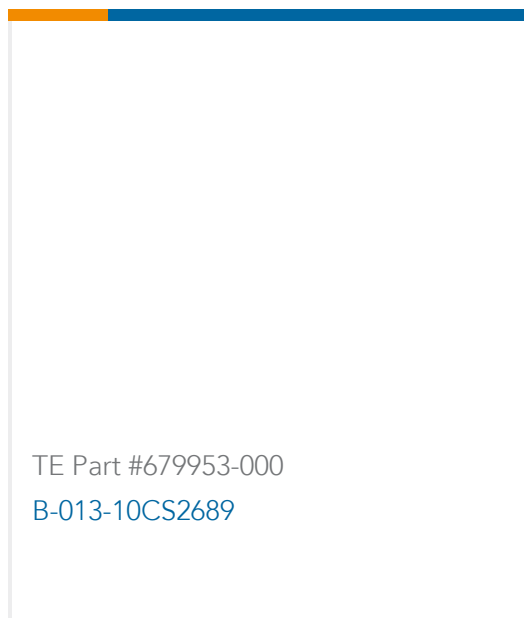
TE Part #1577646-1
TERMINAL RT PIDG PEEK STRATO 10 AWG



TE Part #131297-1
STRATO-THERM, HR 2 3/8 NIPL



TE Part #ZPF000000000000439
006-1200-12



TE Part #679953-000
B-013-10CS2689



Documents

Product Drawings

[TERMINAL RT PIDG PEEK STRATO 14-12 AWG](#)

English

CAD Files

[3D PDF](#)

3D

Customer View Model

[ENG_CVM_CVM_1577639-1_B.2d_dxf.zip](#)

English

Customer View Model

[ENG_CVM_CVM_1577639-1_B.3d_igs.zip](#)

English

Customer View Model

[ENG_CVM_CVM_1577639-1_B.3d_stp.zip](#)

English

By downloading the CAD file I accept and agree to the [Terms and Conditions](#) of use.

Product Specifications

[Application Specification](#)

English

Product Environmental Compliance

[TE Material Declaration](#)

English