



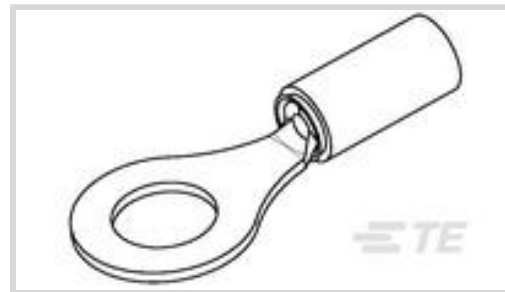
STRATO-THERM

TE Internal #: 1577634-1

Closed Ring Tongue Terminal, 18 – 16 AWG, 1/4 Stud Size, 6.74 mm [.265 in] Stud Diameter, Closed Barrel, Straight, Nickel, STRATO-THERM

[View on TE.com >](#)

Terminals & Splices > Ring Terminals



Ring Terminal Product Type: **Closed Ring Tongue Terminal**

Wire Size: **1600 – 2800 CMA**

Stud Size: **1/4**

Features

Product Type Features

Ring Terminal Product Type	Closed Ring Tongue Terminal
Stud Size	1/4
Sealable	No
Wire Insulation Support Retention Type	Non-Insulation Support

Contact Features

Barrel Type	Closed
Terminal Orientation	Straight
Terminal Plating Material	Nickel

Mechanical Attachment

Wire Insulation Support	Without
-------------------------	---------

Dimensions

Wire Size	1600 – 2800 CMA
Stud Diameter	6.74 mm [.265 in]
Tongue Thickness	.79 mm [.031 in]
Product Length	28.38 mm [1.117 in]
Compatible Insulation Diameter (Max)	2.67 mm [.106 in]
Compatible Insulation Diameter Range	1.4 – 2.67 mm [.055 – .106 in]

Usage Conditions

Insulation Option	Partially Insulated
-------------------	---------------------



Operating Temperature Range 260 °C[500 °F]

Industry Standards

Government Qualified Terminal No

Packaging Features

Packaging Quantity 500

Packaging Method Bag/Box

Product Compliance

[For compliance documentation, visit the product page on TE.com>](#)

EU RoHS Directive 2011/65/EU Compliant

EU ELV Directive 2000/53/EC Compliant

China RoHS 2 Directive MIIT Order No 32, 2016 No Restricted Materials Above Threshold

EU REACH Regulation (EC) No. 1907/2006
 Current ECHA Candidate List: JUNE 2023 (235)
 Candidate List Declared Against: JAN 2023 (233)
 Does not contain REACH SVHC

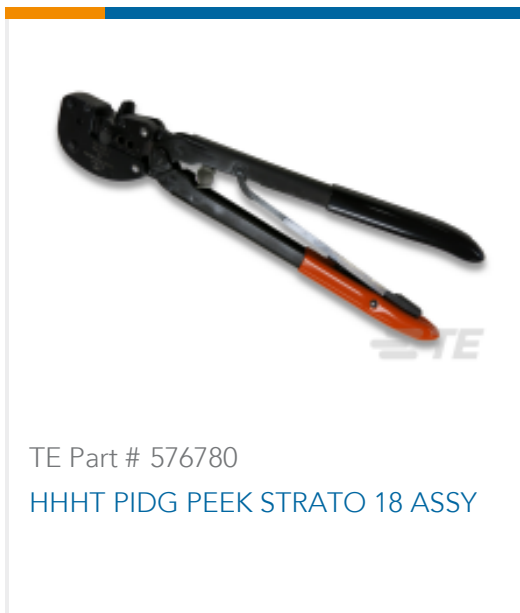
Halogen Content Low Halogen - Br, Cl, F, I < 900 ppm per homogenous material. Also BFR/CFR/PVC Free

Solder Process Capability Not applicable for solder process capability

Product Compliance Disclaimer

This information is provided based on reasonable inquiry of our suppliers and represents our current actual knowledge based on the information they provided. This information is subject to change. The part numbers that TE has identified as EU RoHS compliant have a maximum concentration of 0.1% by weight in homogenous materials for lead, hexavalent chromium, mercury, PBB, PBDE, DBP, BBP, DEHP, DIBP, and 0.01% for cadmium, or qualify for an exemption to these limits as defined in the Annexes of Directive 2011/65/EU (RoHS2). Finished electrical and electronic equipment products will be CE marked as required by Directive 2011/65/EU. Components may not be CE marked. Additionally, the part numbers that TE has identified as EU ELV compliant have a maximum concentration of 0.1% by weight in homogenous materials for lead, hexavalent chromium, and mercury, and 0.01% for cadmium, or qualify for an exemption to these limits as defined in the Annexes of Directive 2000/53/EC (ELV). Regarding the REACH Regulation, the information TE provides on SVHC in articles for this part number is based on the latest European Chemicals Agency (ECHA) 'Guidance on requirements for substances in articles' posted at this URL: <https://echa.europa.eu/guidance-documents/guidance-on-reach>

Compatible Parts



TE Part # 576780
HHHT PIDG PEEK STRATO 18 ASSY



TE Part # 576781
HHHT PIDG PEEK STRATO 16 ASSY



TE Part # 1901600-1
CCII PIDG STRATO 18-16 ASSY



TE Part # 1901600-2
CCII PIDG STRATO 18-16 ASSY



TE Part # 1-1901600-1
CCII 18-16 HEAD



TE Part # 576715
SAHT PIDG PEEK STRATO 18 DIE SET

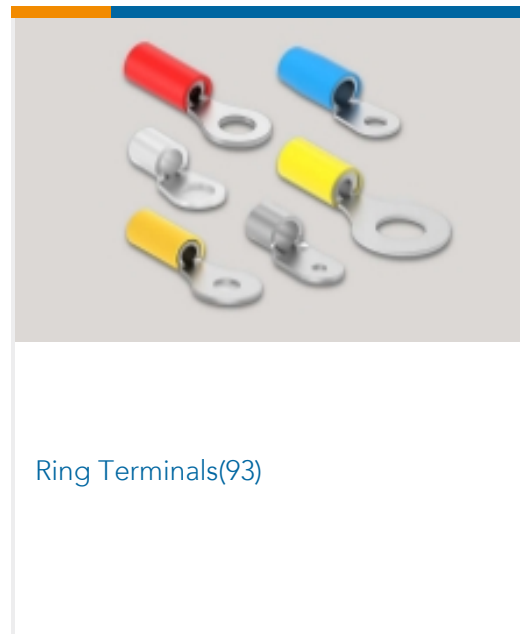


TE Part # 576714
SAHT PIDG PEEK STRATO 16 DIE SET

Also in the Series | STRATO-THERM



Crimp Wire Pins, Tabs & Ferrules(1)



Ring Terminals(93)



Splices(16)

Customers Also Bought



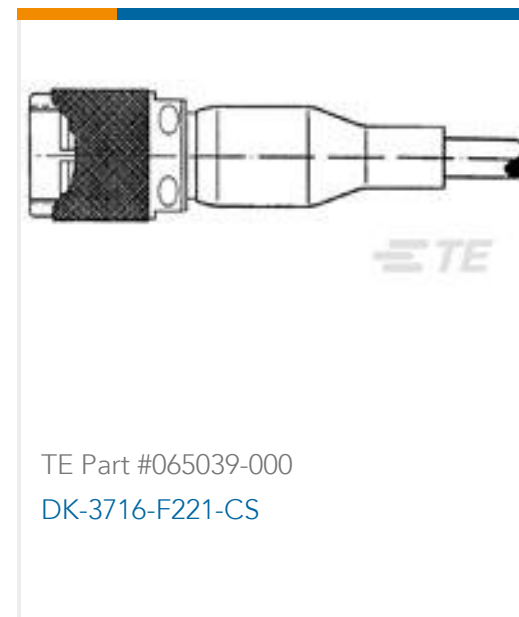
TE Part #323062
TERMINAL,SOLIS R HR 12-10 10



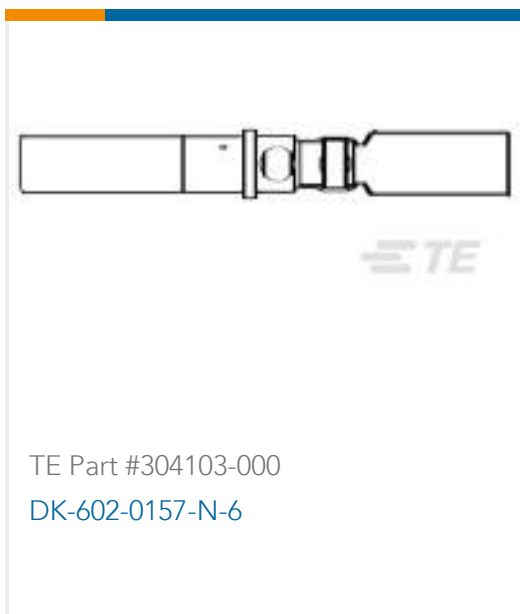
TE Part #CB03454006
RW-200-E-1-1/2-0-SP



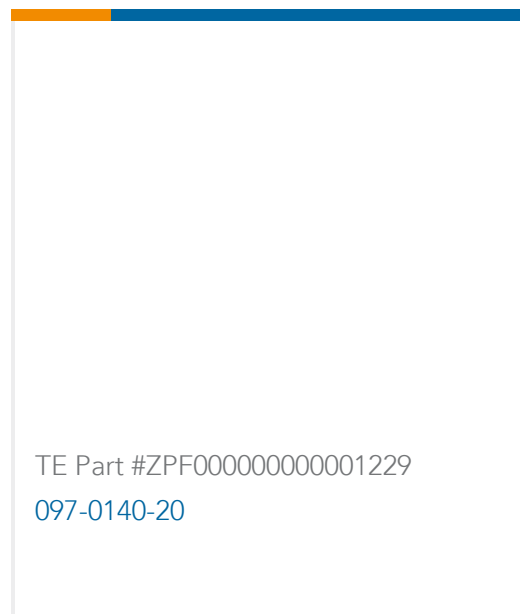
TE Part #1490413-5
HYP10 SOLIS 1/0AWG NEST



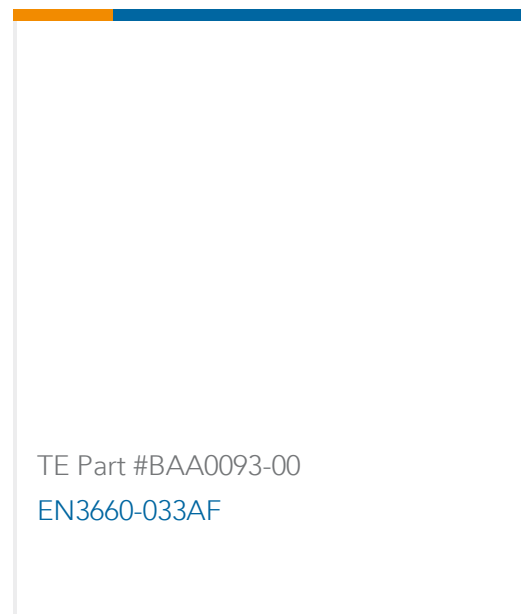
TE Part #065039-000
DK-3716-F221-CS



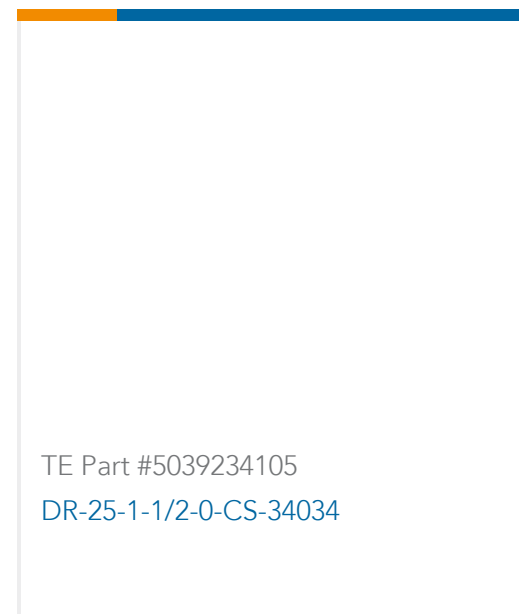
TE Part #304103-000
DK-602-0157-N-6



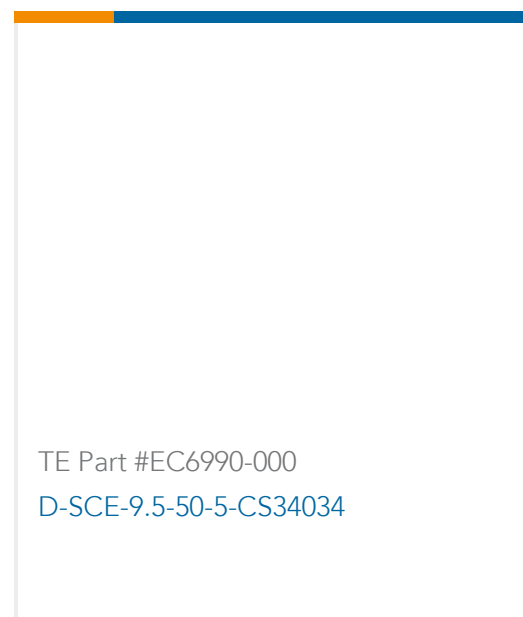
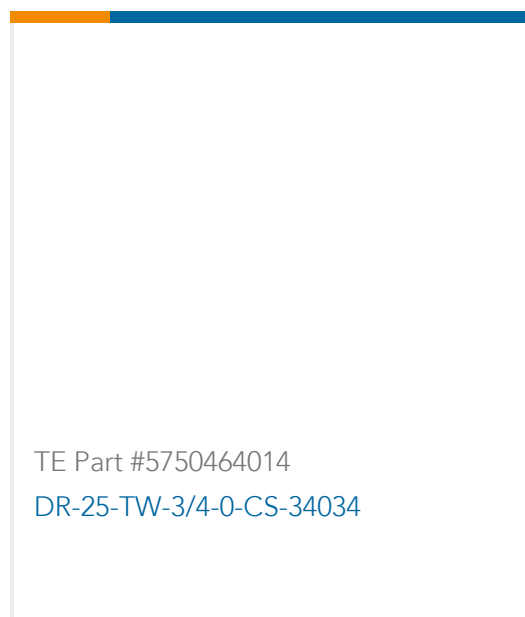
TE Part #ZPF000000000001229
097-0140-20



TE Part #BAA0093-00
EN3660-033AF



TE Part #5039234105
DR-25-1-1/2-0-CS-34034



Documents

Product Drawings

[TERMINAL RT PIDG PEEK STRATO 18-16 AWG](#)

English

CAD Files

[3D PDF](#)

3D

Customer View Model

[ENG_CVM_CVM_1577634-1_B.2d_dxf.zip](#)

English

Customer View Model

[ENG_CVM_CVM_1577634-1_B.3d_igs.zip](#)

English

Customer View Model

[ENG_CVM_CVM_1577634-1_B.3d_stp.zip](#)

English

By downloading the CAD file I accept and agree to the [Terms and Conditions](#) of use.

Product Specifications

[Application Specification](#)

English

Product Environmental Compliance

[TE Material Declaration](#)

English