



STRATO-THERM

TE Internal #: 1577625-1

Closed Ring Tongue Terminal, 20 AWG, M3.5 / #6 Stud Size, 3.68 mm [.145 in] Stud Diameter, Closed Barrel, Straight, Nickel, STRATO-THERM

[View on TE.com >](#)

Terminals & Splices > Ring Terminals



Ring Terminal Product Type: **Closed Ring Tongue Terminal**

Wire Size: **509 – 3260 CMA**

Stud Size: **#6, M3.5**

Features

Product Type Features

Ring Terminal Product Type	Closed Ring Tongue Terminal
Stud Size	#6, M3.5
Sealable	No
Wire Insulation Support Retention Type	Non-Insulation Support

Configuration Features

Number of Holes	1
-----------------	---

Electrical Characteristics

Current Rating	1 A
----------------	-----

Body Features

Insulation Sleeve Color	Gray
-------------------------	------

Contact Features

Barrel Type	Closed
Terminal Orientation	Straight
Terminal Plating Material	Nickel

Mechanical Attachment

Wire Insulation Support	With
-------------------------	------

Dimensions

Compatible Insulation Diameter (Min)	1.14 mm[.044 in]
Wire Size	509 – 3260 CMA



Stud Diameter	3.68 mm[.145 in]
Tongue Thickness	.79 mm[.031 in]
Product Length	17.99 mm[.708 in]
Compatible Insulation Diameter (Max)	2.03 mm[.08 in]
Compatible Insulation Diameter Range	1.14 – 2.03 mm[.045 – .08 in]

Usage Conditions

Insulation Option	Partially Insulated
Operating Temperature Range	260 °C[500 °F]

Industry Standards

Government Qualified Terminal	No
-------------------------------	----

Packaging Features

Packaging Quantity	500
Packaging Method	Bag

Product Compliance

[For compliance documentation, visit the product page on TE.com>](#)

EU RoHS Directive 2011/65/EU	Compliant
EU ELV Directive 2000/53/EC	Compliant
China RoHS 2 Directive MIIT Order No 32, 2016	No Restricted Materials Above Threshold
EU REACH Regulation (EC) No. 1907/2006	Current ECHA Candidate List: JUNE 2023 (235) Candidate List Declared Against: JUNE 2022 (224) Does not contain REACH SVHC
Halogen Content	Low Halogen - Br, Cl, F, I < 900 ppm per homogenous material. Also BFR/CFR/PVC Free
Solder Process Capability	Not applicable for solder process capability

Product Compliance Disclaimer

This information is provided based on reasonable inquiry of our suppliers and represents our current actual knowledge based on the information they provided. This information is subject to change. The part numbers that TE has identified as EU RoHS compliant have a maximum concentration of 0.1% by weight in homogenous materials for lead, hexavalent chromium, mercury, PBB, PBDE, DBP, BBP, DEHP, DIBP, and 0.01% for cadmium, or qualify for an exemption to these limits as defined in the Annexes of Directive 2011/65/EU (RoHS2). Finished electrical and electronic equipment products will be CE marked as required by Directive 2011/65/EU. Components may not be CE marked. Additionally, the part numbers that TE has identified as EU ELV compliant have a maximum concentration of 0.1% by weight in homogenous materials for lead, hexavalent chromium, and mercury, and 0.01% for cadmium, or qualify for an exemption to these limits as defined in the Annexes of Directive 2000/53/EC (ELV). Regarding the REACH Regulation, the information TE provides on SVHC in articles for this part number is based on the latest European Chemicals Agency (ECHA) 'Guidance on

requirements for substances in articles' posted at this URL: <https://echa.europa.eu/guidance-documents/guidance-on-reach>

Compatible Parts



TE Part # 576779
HHHT PIDG PEEK STRATO 20 ASSY



TE Part # 1901611-2
CCII PIDG STRATO 24-20 ASSY



TE Part # 1901611-1
CCII PIDG STRATO 24-20 ASSY




TE Part # 576720
SAHT PIDG PEEK STRATO 20 DIE SET

Also in the Series | STRATO-THERM



Crimp Wire Pins, Tabs & Ferrules(1)



Ring Terminals(93)

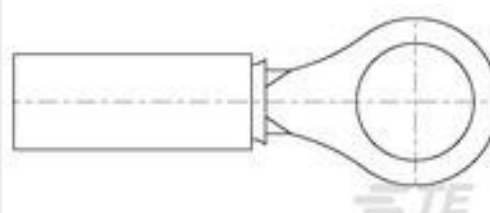


Splices(16)

Customers Also Bought



TE Part #1577647-1
TERMINAL RT PIDG PEEK STRATO 10 AWG



TE Part #1577624-1
TERMINAL RT PIDG PEEK STRATO 20 AWG



TE Part #2-34105-2
SOLIS R 22-16 COMM 22-18 MIL 6



TE Part #1577640-1
TERMINAL RT PIDG PEEK STRATO 14-12 AWG



TE Part #1577620-1
TERMINAL RT PIDG PEEK STRATO 24-22 AWG



TE Part #ZPF000000000003598
724-0003-20



TE Part #ZPF000000000003628
724-1064-16



TE Part #ZPF000000000136664
182-0908-20



Documents

Product Drawings

TERMINAL RT PIDG PEEK STRATO 20 AWG

English

CAD Files

3D PDF

3D

Customer View Model

[ENG_CVM_CVM_1577625-1_B.2d_dxf.zip](#)

English

Customer View Model

[ENG_CVM_CVM_1577625-1_B.3d_igs.zip](#)

English

Customer View Model

[ENG_CVM_CVM_1577625-1_B.3d_stp.zip](#)

English

By downloading the CAD file I accept and agree to the [Terms and Conditions](#) of use.

Product Specifications

Application Specification

English

Product Environmental Compliance

TE Material Declaration

English