

1577619-1 ✓ ACTIVE



## STRATO-THERM

TE Internal #: 1577619-1

Closed Ring Tongue Terminal, 24 – 22 AWG, #6 / M3.5 Stud Size, 3.68 mm [.145 in] Stud Diameter, Closed Barrel, Straight, Nickel, STRATO-THERM

[View on TE.com >](#)

Terminals & Splices > Ring Terminals



Ring Terminal Product Type: Closed Ring Tongue Terminal

Wire Size: .205 – .326 mm<sup>2</sup>

Stud Size: #6, M3.5

Stud Diameter: 3.68 mm [.145 in]

### Features

#### Product Type Features

Ring Terminal Product Type	Closed Ring Tongue Terminal
Stud Size	#6, M3.5
Sealable	No
Wire Insulation Support Retention Type	Non-Insulation Support

#### Contact Features

Barrel Type	Closed
Terminal Orientation	Straight
Terminal Plating Material	Nickel

#### Mechanical Attachment

Wire Insulation Support	Without
-------------------------	---------

#### Dimensions

Wire Size	.205 – .326 mm <sup>2</sup>
Stud Diameter	3.68 mm [.145 in]
Tongue Thickness	.79 mm [.031 in]



Product Length	21.32 mm[.839 in]
Compatible Insulation Diameter (Max)	1.9 mm[.075 in]
Compatible Insulation Diameter Range	.89 – 1.9 mm[.035 – .075 in]

### Usage Conditions

Insulation Option	Partially Insulated
Operating Temperature Range	260 °C[500 °F]

### Industry Standards

Government Qualified Terminal	No
-------------------------------	----

### Packaging Features

Packaging Quantity	1000
Packaging Method	Bag/Box

### Product Compliance

[For compliance documentation, visit the product page on TE.com>](#)

EU RoHS Directive 2011/65/EU	Compliant
EU ELV Directive 2000/53/EC	Compliant
China RoHS 2 Directive MIIT Order No 32, 2016	No Restricted Materials Above Threshold
EU REACH Regulation (EC) No. 1907/2006	Current ECHA Candidate List: JUNE 2023 (235) Candidate List Declared Against: JAN 2021 (211) Does not contain REACH SVHC
Halogen Content	Low Halogen - Br, Cl, F, I < 900 ppm per homogenous material. Also BFR/CFR/PVC Free
Solder Process Capability	Not applicable for solder process capability

#### Product Compliance Disclaimer

This information is provided based on reasonable inquiry of our suppliers and represents our current actual knowledge based on the information they provided. This information is subject to change. The part numbers that TE has identified as EU RoHS compliant have a maximum concentration of 0.1% by weight in homogenous materials for lead, hexavalent chromium, mercury, PBB, PBDE, DBP, BBP, DEHP, DIBP, and 0.01% for cadmium, or qualify for an exemption to these limits as defined in the Annexes of Directive 2011/65/EU (RoHS2). Finished electrical and electronic equipment products will be CE marked as required by Directive 2011/65/EU. Components may not be CE marked. Additionally, the part numbers that TE has identified as EU ELV compliant have a maximum concentration of 0.1% by weight in homogenous materials for lead, hexavalent chromium, and mercury, and 0.01% for cadmium, or qualify for an exemption to these limits as defined in the Annexes of Directive 2000/53/EC (ELV). Regarding the REACH Regulation, the information TE provides on SVHC in articles for this part number is based on the latest European Chemicals Agency (ECHA) 'Guidance on requirements for substances in articles' posted at this URL: <https://echa.europa.eu/guidance-documents/guidance-on-reach>



## Compatible Parts



TE Part # 576778  
HHHT PIDG PEEK STRATO 24-22 ASSY



TE Part # 1901611-2  
CCII PIDG STRATO 24-20 ASSY



TE Part # 1901611-1  
CCII PIDG STRATO 24-20 ASSY




TE Part # 576711  
SAHT PIDG PEEK STRATO 24-22 DIE SET

## Also in the Series | STRATO-THERM



Crimp Wire Pins, Tabs & Ferrules(1)



Ring Terminals(93)



Splices(16)

## Customers Also Bought



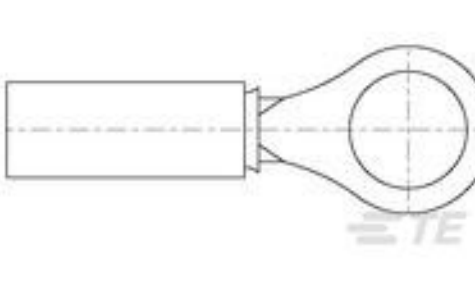
TE Part #322328  
TERMINAL,SOLIS R HT 16-14 4



TE Part #699689-000  
MTC100-JH2-P22



TE Part #1577639-1  
TERMINAL RT PIDG PEEK STRATO 14-12 AWG



TE Part #1577624-1  
TERMINAL RT PIDG PEEK STRATO 20 AWG



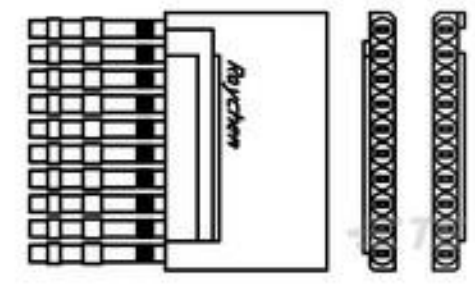
TE Part #1577633-1  
TERMINAL RT PIDG PEEK STRATO 18-16 AWG



TE Part #805M1-0020  
805M1-0020 TO-5 Accelerometer



TE Part #1577623-1  
TERMINAL, PEEK PIDG STRATO, 20AWG



TE Part #860032-000  
MTC100-YB1-009



## Documents

### Product Drawings

#### TERMINAL RT PIDG PEEK STRATO 24-22 AWG

English

### CAD Files

#### 3D PDF

3D

#### Customer View Model

[ENG\\_CVM\\_CVM\\_1577619-1\\_B.2d\\_dxf.zip](#)

English

#### Customer View Model

[ENG\\_CVM\\_CVM\\_1577619-1\\_B.3d\\_igs.zip](#)

English

#### Customer View Model

[ENG\\_CVM\\_CVM\\_1577619-1\\_B.3d\\_stp.zip](#)

English

By downloading the CAD file I accept and agree to the [Terms and Conditions](#) of use.

### Product Specifications

#### Application Specification

English

### Product Environmental Compliance

#### TE Material Declaration

English