

1565089-1 ✓ ACTIVE



GRACE INERTIA 3.5

TE Internal #: 1565089-1

PCB Latches, Locks & Retainers, Double Lock Plate, 2 Position, .138 in [3.5 mm] Centerline, -22 – 221 °F [-30 – 105 °C], GRACE INERTIA 3.5

[View on TE.com >](#)

Connectors > PCB Connectors > PCB Connector Accessories > PCB Connector Hardware > PCB Latches, Locks & Retainers



Connector & Contact Retention Accessory Type: **Double Lock Plate**

Number of Positions: **2**

Centerline (Pitch): **3.5 mm [.138 in]**

Operating Temperature Range: **-30 – 105 °C [-22 – 221 °F]**

Features

Product Type Features

Connector & Contact Retention Accessory Type	Double Lock Plate
--	-------------------

Configuration Features

Number of Positions	2
---------------------	---

Body Features

Primary Product Material	Nylon 6/6 GF20
--------------------------	----------------

Primary Product Color	Natural
-----------------------	---------

Housing Features

Centerline (Pitch)	3.5 mm [.138 in]
--------------------	------------------

Usage Conditions

Operating Temperature Range	-30 – 105 °C [-22 – 221 °F]
-----------------------------	-----------------------------

Industry Standards

Glow Wire Rating	Standard Part - Not Glow Wire
------------------	-------------------------------

UL Flammability Rating	UL 94V-0
------------------------	----------

Packaging Features



Packaging Quantity	2500
Packaging Method	Bag

Other

Connector Accessory Comment	Use with Grace Inertia Connector 3.5
-----------------------------	--------------------------------------

Product Compliance

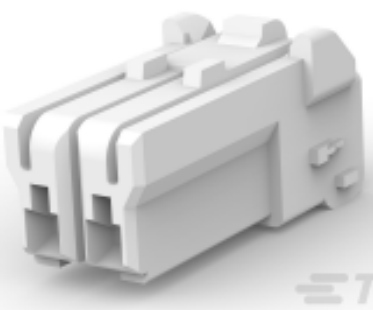
[For compliance documentation, visit the product page on TE.com>](#)

EU RoHS Directive 2011/65/EU	Compliant
EU ELV Directive 2000/53/EC	Compliant
China RoHS 2 Directive MIIT Order No 32, 2016	No Restricted Materials Above Threshold
EU REACH Regulation (EC) No. 1907/2006	Current ECHA Candidate List: JUNE 2023 (235) Candidate List Declared Against: JUNE 2023 (235) Does not contain REACH SVHC
Halogen Content	Not Low Halogen - contains Br or Cl > 900 ppm.
Solder Process Capability	Not applicable for solder process capability

Product Compliance Disclaimer

This information is provided based on reasonable inquiry of our suppliers and represents our current actual knowledge based on the information they provided. This information is subject to change. The part numbers that TE has identified as EU RoHS compliant have a maximum concentration of 0.1% by weight in homogenous materials for lead, hexavalent chromium, mercury, PBB, PBDE, DBP, BBP, DEHP, DIBP, and 0.01% for cadmium, or qualify for an exemption to these limits as defined in the Annexes of Directive 2011/65/EU (RoHS2). Finished electrical and electronic equipment products will be CE marked as required by Directive 2011/65/EU. Components may not be CE marked. Additionally, the part numbers that TE has identified as EU ELV compliant have a maximum concentration of 0.1% by weight in homogenous materials for lead, hexavalent chromium, and mercury, and 0.01% for cadmium, or qualify for an exemption to these limits as defined in the Annexes of Directive 2000/53/EC (ELV). Regarding the REACH Regulation, the information TE provides on SVHC in articles for this part number is based on the latest European Chemicals Agency (ECHA) 'Guidance on requirements for substances in articles' posted at this URL: <https://echa.europa.eu/guidance-documents/guidance-on-reach>

Compatible Parts



TE Part # CAT-G7534-P729
STD Temp GRACE INERTIA Plug



TE Part # CAT-G7534-C1701
STD Temp GRACE INERTIA Cap

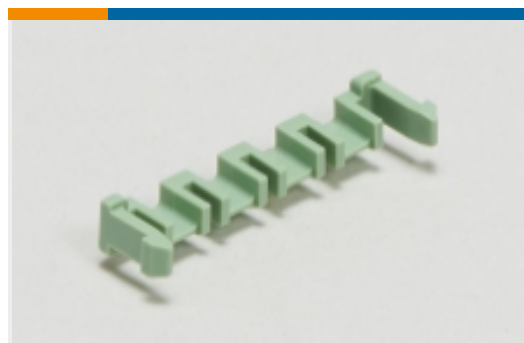


TE Part # 1729279-1
EXTRACTION TOOL FOR GIC 3.5 CONN.

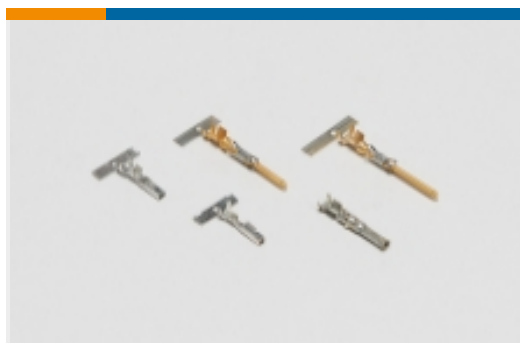
Also in the Series | GRACE INERTIA 3.5



Insertion & Extraction Tools(1)



PCB Latches, Locks & Retainers(4)

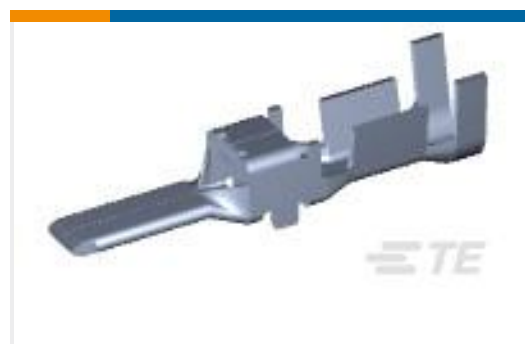


Power Contacts(4)

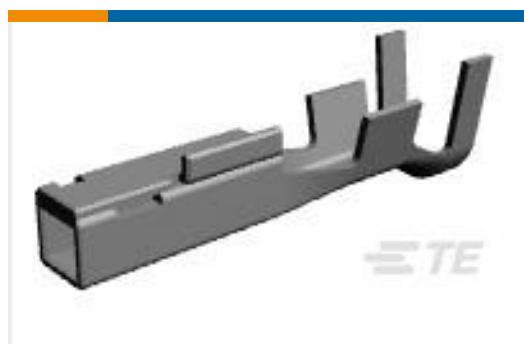


Rectangular Power Connectors(63)

Customers Also Bought



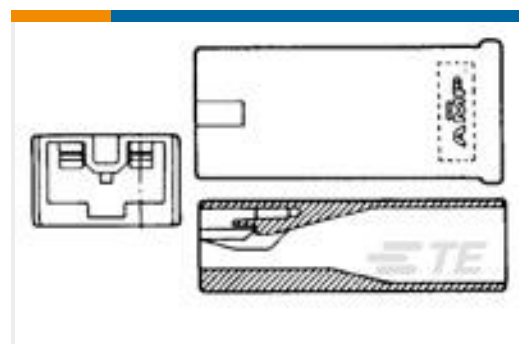
TE Part #1746973-1
GRACE INERTIA CONNECTOR 6.2
MM PITCH TAB



TE Part #1565079-1
GRACE INERTIA 3.5 REC CONTACT(L)



TE Part #3-1565085-4
GRACE INERTIA CONNECTOR 3.5 2P



TE Part #179970-9
PL EXII 250 REC HSG 1P NYLON
BLACK



TE Part #1-178708-1
187 SLEEV PL EX FLAG NAT



TE Part #4-1565085-2
GIC 3.5W 2P CAP F

Documents

Product Drawings

GRACE INERTIA CONNECTOR 3.5 2P

Japanese

CAD Files

3D PDF

3D

Customer View Model

[ENG_CVM_CVM_1565089-1_B.2d_dxf.zip](#)

English

Customer View Model

[ENG_CVM_CVM_1565089-1_B.3d_igs.zip](#)

English

Customer View Model

[ENG_CVM_CVM_1565089-1_B.3d_stp.zip](#)



English

By downloading the CAD file I accept and agree to the [Terms and Conditions](#) of use.

Product Specifications

[Product Specification](#)

English

[Product Specification](#)

English

Product Environmental Compliance

[MD_1565089-1_11012017352_dmtec](#)

English

[MD_1565089-1_11012017352_dmtec](#)

English