

1564724-1 ✓ ACTIVE

AMP | Sensor Flat Contact System

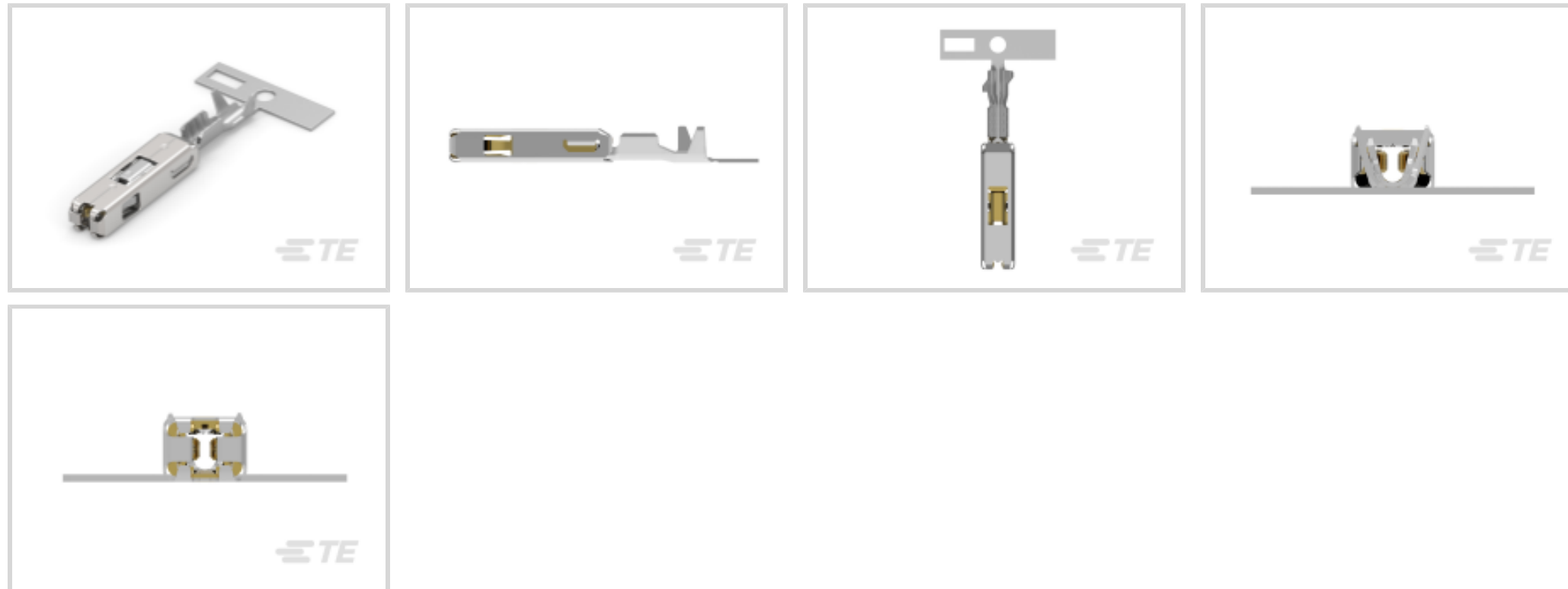
TE Internal #: 1564724-1

Automotive Terminals, Receptacle, Mating Tab Width 1.5 mm [.059 in], Tab Thickness .6 mm [.024 in], 22 – 20 AWG Wire Size, Sensor Flat Contact System

[View on TE.com >](#)



Terminals & Splices > Automotive Terminals > AMP MCP, SFC, RECEPTACLE



Terminal Type: **Receptacle**

Mating Tab Width: 1.5 mm [.059 in]

Mating Tab Thickness: .6 mm [.024 in]

Terminal Transmits: 0 – 24 A (Low Power)

Wire Size: 22 – 20 AWG

[All AMP MCP, SFC, RECEPTACLE \(24\)](#)

Features

Product Type Features

Receptacle Style	180°
Sealable	No
Primary Locking Feature	Clean Body

Contact Features

Contact Size	1.5mm
Contact Fabrication	Stamped & Formed
Wire Contact Termination Area Plating Material	Gold
Typical Current Rating	11 A
Crimp Type	F-Crimp
Terminal Type	Receptacle
Mating Tab Width	1.5 mm[.059 in]
Mating Tab Thickness	.6 mm[.024 in]
Interface Plating	Gold (Au)



Termination Features

Termination Method to Wire & Cable	Crimp
Product Terminates To	Wire

Dimensions

Compatible Insulation Diameter Range	1.2 – 1.6 mm [.047 – .063 in]
Wire Size	.35 – .5 mm ²
Wire Size Search	20 AWG, 21 AWG, 22 AWG

Usage Conditions

Insulation Option	Uninsulated
Operating Temperature (Max)	80 °C, 85 °C, 90 °C, 100 °C, 105 °C, 110 °C, 120 °C, 125 °C, 130 °C, 140 °C, 145 °C, 150 °C [176 °F][185 °F][194 °F][212 °F][221 °F][230 °F][248 °F][257 °F][266 °F][284 °F][293 °F][302 °F]
Operating Temperature Range	-40 – 150 °C [-40 – 302 °F]

Operation/Application

Compatible With Wire Base Material	Copper
------------------------------------	--------

Industry Standards

Agency/Standard	LV214
-----------------	-------

Packaging Features

Packaging Quantity	7000
Packaging Method	Reel

Other

Terminal Transmits	0 – 24 A (Low Power)
--------------------	----------------------

Product Compliance

For compliance documentation, visit the product page on [TE.com](https://www.te.com)>

EU RoHS Directive 2011/65/EU	Compliant
EU ELV Directive 2000/53/EC	Compliant
China RoHS 2 Directive MIIT Order No 32, 2016	No Restricted Materials Above Threshold
EU REACH Regulation (EC) No. 1907/2006	Current ECHA Candidate List: JUNE 2023 (235) Candidate List Declared Against: JUNE 2023 (235)



Does not contain REACH SVHC

Halogen Content

Low Halogen - Br, Cl, F, I < 900 ppm per homogenous material. Also BFR/CFR/PVC Free

Solder Process Capability

Not applicable for solder process capability

Product Compliance Disclaimer

This information is provided based on reasonable inquiry of our suppliers and represents our current actual knowledge based on the information they provided. This information is subject to change. The part numbers that TE has identified as EU RoHS compliant have a maximum concentration of 0.1% by weight in homogenous materials for lead, hexavalent chromium, mercury, PBB, PBDE, DBP, BBP, DEHP, DIBP, and 0.01% for cadmium, or qualify for an exemption to these limits as defined in the Annexes of Directive 2011/65/EU (RoHS2). Finished electrical and electronic equipment products will be CE marked as required by Directive 2011/65/EU. Components may not be CE marked. Additionally, the part numbers that TE has identified as EU ELV compliant have a maximum concentration of 0.1% by weight in homogenous materials for lead, hexavalent chromium, and mercury, and 0.01% for cadmium, or qualify for an exemption to these limits as defined in the Annexes of Directive 2000/53/EC (ELV). Regarding the REACH Regulation, the information TE provides on SVHC in articles for this part number is based on the latest European Chemicals Agency (ECHA) 'Guidance on requirements for substances in articles' posted at this URL: <https://echa.europa.eu/guidance-documents/guidance-on-reach>

Compatible Parts



TE Part # 1801174-1
2W TAB HP CONNECTOR BLACK



TE Part # 1801178-1
3W RECEPTACLE HP CONNECTOR BLACK



TE Part # 1801176-1
2W RECEPTACLE HPSL CONNECTOR BLACK



TE Part # 2305570-1
Strip Terminal Cutter-Side Feed-No Crimp



TE Part # 1-1801178-3
3W RECEPTACLE HP CONNECTOR GREY



TE Part # 1-1801175-1
2W RECEPTACLE HP CONNECTOR BLACK



TE Part # 1801175-5
2W RECEPTACLE HP CONNECTOR GREEN



TE Part # 1801174-4
2W TAB HP CONNECTOR YELLOW



TE Part # 1801177-4
3W TAB CONNECTOR HP YELLOW



TE Part # 1801175-7
2W RECEPTACLE HP CONNECTOR WHITE



TE Part # 1801177-1
3W TAB CONNECTOR HP BLACK



TE Part # 1801179-1
3W RECEPTACLE HPSL CONNECTOR BLACK



TE Part # 1801175-3
2W RECEPTACLE HP CONNECTOR
GREY



TE Part # 1801175-1
2W RECEPTACLE HP CONNECTOR
BLACK



TE Part # 1-1801175-2
2W RECEPTACLE HP CONNECTOR
BLUE



TE Part # 1-1801175-3
2W RECEPTACLE HP CONNECTOR
GREY



TE Part # 1-1801175-4
2W RECEPTACLE HP CONNECTOR
YELLOW



TE Part # 1-1801175-5
2W RECEPTACLE HP CONNECTOR
GREEN

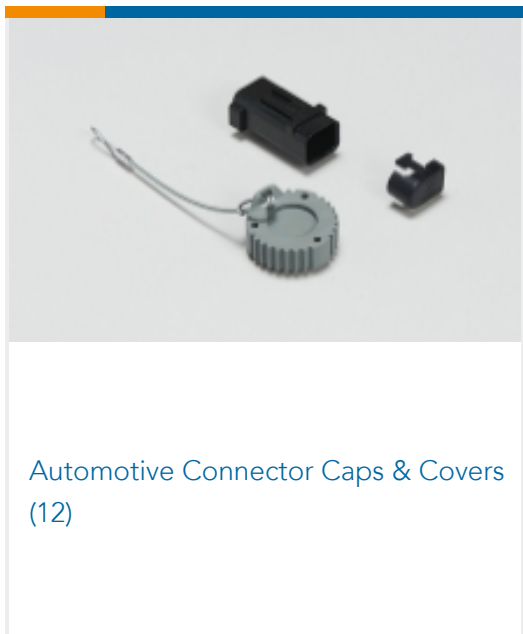


TE Part # 1-1801175-6
2W RECEPTACLE HP CONNECTOR
BROWN

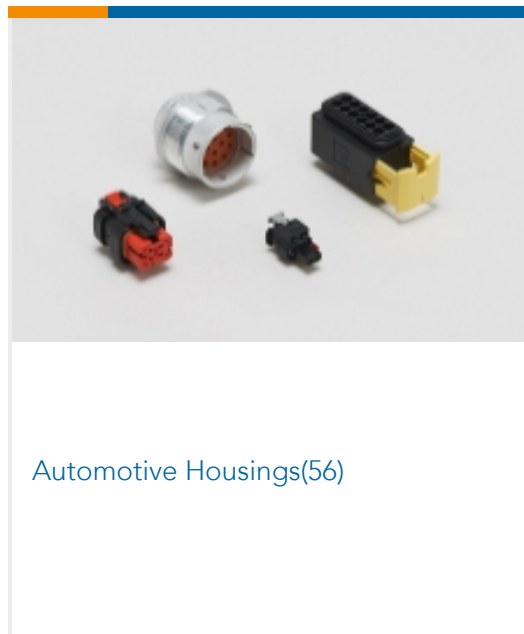


TE Part # 1-1801175-7
2W RECEPTACLE HP CONNECTOR
WHITE

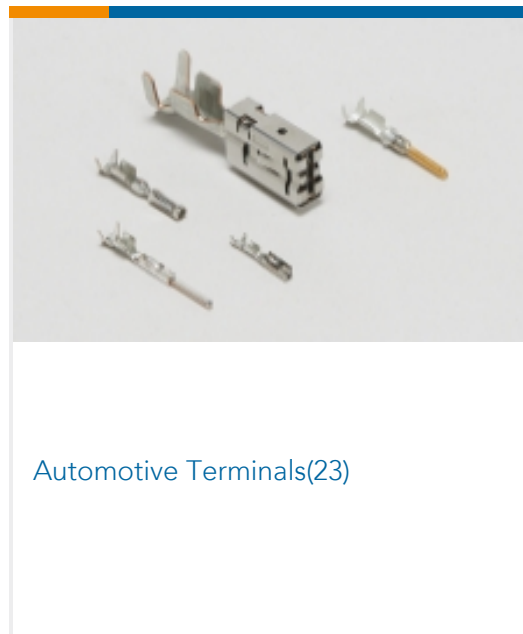
Also in the Series | **Sensor Flat Contact System**



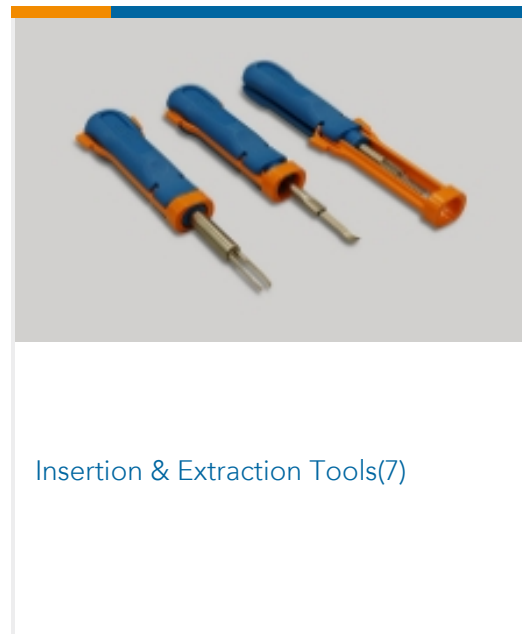
Automotive Connector Caps & Covers
(12)



Automotive Housings(56)



Automotive Terminals(23)



Insertion & Extraction Tools(7)

Customers Also Bought



TE Part #2005091-1
025 32P CAP ASSY



TE Part #1670328-1
1.5MM SFC,CONTACT



TE Part #1897598-1
090III MLC REC(LL) CONT



TE Part #2278584-1
67 POS,MIXED,REC HSG,ASSY,
SEALED TYPE180



TE Part #1801179-1
3W RECEPTACLE HP SL CONNECTOR
BLACK



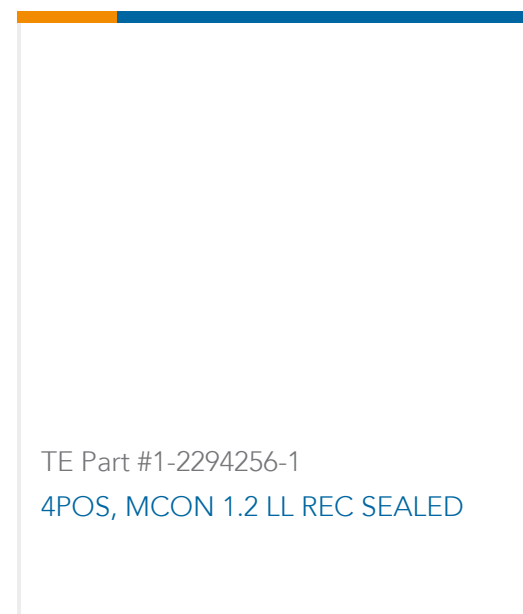
TE Part #1456968-3
CONTACT,FEMALE,0.64, 20 TO 22
AWG, AG



TE Part #1823174-1
2POS,1.5MM SFC,REC HSG,ASSY,
SEALED



TE Part #2-2236896-1
2POS, MCON 1.2 LL REC SEALED



Documents

Product Drawings

1.5MM SFC,CONTACT

German

CAD Files

3D PDF

3D

Customer View Model

[ENG_CVM_CVM_1564724-1_A_c-1564724-1-a.2d_dxf.zip](#)

English

Customer View Model

[ENG_CVM_CVM_1564724-1_A_c-1564724-1-a.3d_igs.zip](#)

English

Customer View Model

[ENG_CVM_CVM_1564724-1_A_c-1564724-1-a.3d_stp.zip](#)

English

By downloading the CAD file I accept and agree to the [Terms and Conditions](#) of use.

Product Specifications

Application Specification

German

Application Specification

German

Application Specification

English