

154CV-100A-R ✓ ACTIVE

MEAS | MEAS 154 Series

TE Internal #: 154CV-100A-R

TE Internal Description: 100 PSIA RIBBON CABLE MV PRESSURE SENSOR

19MM MV OUTPUT PRESSURE SENSOR

[View on TE.com >](#)



Sensors > Pressure Sensors > Media Isolated Pressure Sensors > 19MM MV OUTPUT PRESSURE SENSOR



Pressure: [100 psi]

Media Isolated Pressure Sensor Type: **Media Isolated mV Output Pressure Sensors**

Media Isolated Pressure Sensor Style: **Absolute**

Media Isolated Pressure Sensor Supply Voltage: **10 V**

Operating Temperature Range: **-40 – 125 °C [-40 – 257 °F]**

[All 19MM MV OUTPUT PRESSURE SENSOR \(18\)](#)

Features

Product Type Features

Media Isolated Pressure Sensor Type	Media Isolated mV Output Pressure Sensors
Media Isolated Pressure Sensor Style	Absolute

Configuration Features

Electrical Connection	Ribbon Cable
-----------------------	--------------

Electrical Characteristics

Media Isolated Pressure Sensor Supply Voltage	10 V
---	------

Dimensions

Dimensions	Dia 18.97 x 13.8 mm [Dia .746 x .54 in]
------------	---

Usage Conditions

Operating Temperature Range	-40 – 125 °C [-40 – 257 °F]
-----------------------------	-------------------------------

Operation/Application

	100 psi
--	---------

Packaging Features

Media Isolated Pressure Sensor Package	O-Ring Mount
--	--------------

Other



Sensor Options	No Tube
----------------	---------

Product Compliance

[For compliance documentation, visit the product page on TE.com>](#)

EU RoHS Directive 2011/65/EU	Compliant
EU ELV Directive 2000/53/EC	Out of Scope
China RoHS 2 Directive MIIT Order No 32, 2016	No Restricted Materials Above Threshold
EU REACH Regulation (EC) No. 1907/2006	Current ECHA Candidate List: JUNE 2023 (235) Candidate List Declared Against: JUNE 2023 (235) Does not contain REACH SVHC
Halogen Content	Not Yet Reviewed for halogen content
Solder Process Capability	Not reviewed for solder process capability

Product Compliance Disclaimer

This information is provided based on reasonable inquiry of our suppliers and represents our current actual knowledge based on the information they provided. This information is subject to change. The part numbers that TE has identified as EU RoHS compliant have a maximum concentration of 0.1% by weight in homogenous materials for lead, hexavalent chromium, mercury, PBB, PBDE, DBP, BBP, DEHP, DIBP, and 0.01% for cadmium, or qualify for an exemption to these limits as defined in the Annexes of Directive 2011/65/EU (RoHS2). Finished electrical and electronic equipment products will be CE marked as required by Directive 2011/65/EU. Components may not be CE marked. Additionally, the part numbers that TE has identified as EU ELV compliant have a maximum concentration of 0.1% by weight in homogenous materials for lead, hexavalent chromium, and mercury, and 0.01% for cadmium, or qualify for an exemption to these limits as defined in the Annexes of Directive 2000/53/EC (ELV). Regarding the REACH Regulation, the information TE provides on SVHC in articles for this part number is based on the latest European Chemicals Agency (ECHA) 'Guidance on requirements for substances in articles' posted at this URL: <https://echa.europa.eu/guidance-documents/guidance-on-reach>

Compatible Parts



Also in the Series | [MEAS 154 Series](#)



Media Isolated Pressure Sensors(87)

Customers Also Bought



TE Part #1676353-2
RN 0805 49K9 0.1% 10PPM 1KRL



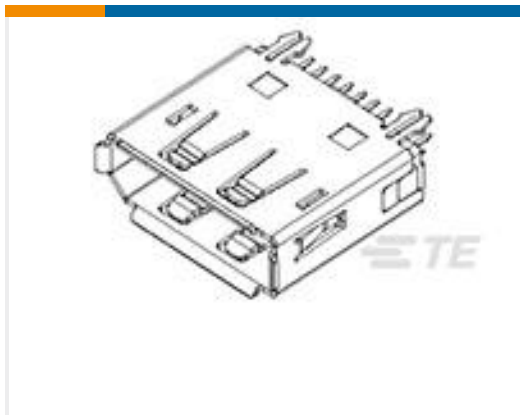
TE Part #5-104069-5
30 sys 50 hdr drra shrd sn



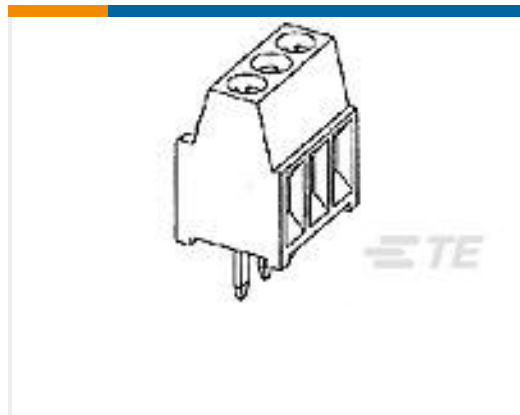
TE Part #5-104069-1
20 sys 50 hdr drra shrd sn



TE Part #5-104074-3
15 SYSTEM 50 HDR SRRA SHRD SN



TE Part #2041441-2
DP 20P V/T DIP 15u" Au, 2.5 tails



TE Part #282834-9
TERMI-BLOK PCB MOUNT, 90 9P.



TE Part #2-2176378-8
RQ 0805 19R1 0.1% 10PPM 5K RL



TE Part #7-2176378-3
RQ 0805 56R2 0.1% 10PPM 5K RL



TE Part #3-1734592-1
FPC CONN. 0.5MM PITCH B/C, 31P

Documents

[CAD Files](#)

[3D PDF](#)

[3D](#)

[Customer View Model](#)

[ENG_CVM_CVM_154CV-100A-R_B.2d_dxf.zip](#)

[English](#)

[Customer View Model](#)

[ENG_CVM_CVM_154CV-100A-R_B.3d_igs.zip](#)



English

Customer View Model

[ENG_CVM_CVM_154CV-100A-R_B.3d_stp.zip](#)

English

By downloading the CAD file I accept and agree to the [Terms and Conditions](#) of use.

Datasheets & Catalog Pages

[154NCV](#)

English