

154740-1 ✓ ACTIVE

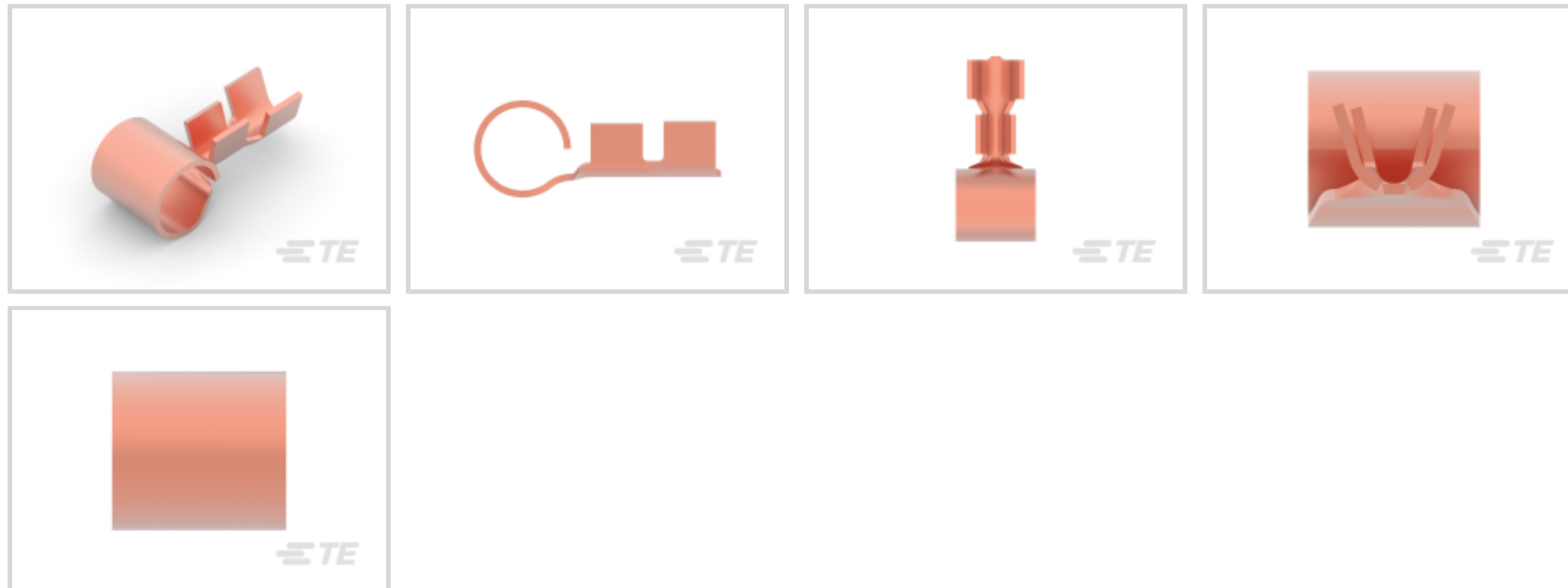
TE Internal #: 154740-1

Crimp Wire Pins, Tabs & Ferrules, Receptacle, Mating Pin Diameter
4.44 mm [.175 in], 20 – 16 AWG Wire Size, .5 – 1.3 mm² Wire Size

[View on TE.com >](#)



Terminals & Splices > Crimp Wire Pins, Tabs & Ferrules



Crimp Wire Terminal Type: **Receptacle**

Mating Pin Diameter: **4.44 mm [.175 in]**

Compatible Insulation Diameter Range: **1.5 – 2.1 mm, 2.1 mm [.059 – .083 in, .083 in]**

Wire Size: **.5 – 1.3 mm²**

Features

Product Type Features

Compatible With Discrete Wire Type	Stranded
------------------------------------	----------

Configuration Features

Compatible With Wire & Cable Type	Discrete Wire
-----------------------------------	---------------

Contact Features

Crimp Wire Terminal Type	Receptacle
Mating Pin Diameter	4.44 mm [.175 in]
Barrel Type	Open
Terminal Plating Material	Unplated
Terminal Orientation	Right Angle

Mechanical Attachment

Wire Insulation Support	With
-------------------------	------

Dimensions

Compatible Insulation Diameter Range	1.5 – 2.1 mm, 2.1 mm [.059 – .083 in] [.083 in]
Wire Size	1021 – 2582 CMA
Barrel Inside Diameter	1.27 mm, 2.54 mm [.05 in] [.1 in]



Terminal Material Thickness	.41 mm[.016 in]
-----------------------------	-----------------

Overall Product Length	9.91 mm[.39 in]
------------------------	-----------------

Usage Conditions

Insulation Option	Uninsulated
-------------------	-------------

Packaging Features

Packaging Quantity	6000
--------------------	------

Packaging Method	Reel
------------------	------

Product Compliance

[For compliance documentation, visit the product page on TE.com>](#)

EU RoHS Directive 2011/65/EU	Compliant
------------------------------	-----------

EU ELV Directive 2000/53/EC	Compliant
-----------------------------	-----------

China RoHS 2 Directive MIIT Order No 32, 2016	No Restricted Materials Above Threshold
---	---

EU REACH Regulation (EC) No. 1907/2006	Current ECHA Candidate List: JUNE 2023 (235) Candidate List Declared Against: JUNE 2023 (235) Does not contain REACH SVHC
--	---

Halogen Content	Low Halogen - Br, Cl, F, I < 900 ppm per homogenous material. Also BFR/CFR/PVC Free
-----------------	---

Solder Process Capability	Not applicable for solder process capability
---------------------------	--

Product Compliance Disclaimer

This information is provided based on reasonable inquiry of our suppliers and represents our current actual knowledge based on the information they provided. This information is subject to change. The part numbers that TE has identified as EU RoHS compliant have a maximum concentration of 0.1% by weight in homogenous materials for lead, hexavalent chromium, mercury, PBB, PBDE, DBP, BBP, DEHP, DIBP, and 0.01% for cadmium, or qualify for an exemption to these limits as defined in the Annexes of Directive 2011/65/EU (RoHS2). Finished electrical and electronic equipment products will be CE marked as required by Directive 2011/65/EU. Components may not be CE marked. Additionally, the part numbers that TE has identified as EU ELV compliant have a maximum concentration of 0.1% by weight in homogenous materials for lead, hexavalent chromium, and mercury, and 0.01% for cadmium, or qualify for an exemption to these limits as defined in the Annexes of Directive 2000/53/EC (ELV). Regarding the REACH Regulation, the information TE provides on SVHC in articles for this part number is based on the latest European Chemicals Agency (ECHA) 'Guidance on requirements for substances in articles' posted at this URL: <https://echa.europa.eu/guidance-documents/guidance-on-reach>

Compatible Parts



TE Part # 42745-2
PIN 090 FLAG RECEPTACLE 20-14
AWG TPPHBZ



TE Part # 344469-2
ANGLE PIN RECEPTACLE 20-16 AWG
PHBRZ



TE Part # 60376-1
PIN 090 RECEPTACLE 20-14 AWG
TPPHBZ



TE Part # 60733-1
PIN .090 RECEPTACLE TPPHBZ



TE Part # 150656-1
SHUR PLUG .156 DIA REC 20-16 AWG
PB



TE Part # 154740-2
PIN .175 DIA REC 20-16AWG PB



TE Part # 2-2266672-1
OC-PA-S-FM-090F110O-001-0474



TE Part # 2-2266672-2
OC-PA-S-FA-090F110O-001-0474



TE Part # 2266672-1
OC-AT-S-FM-090F110O-001-0474



TE Part # 2266672-2
OC-AT-S-FA-090F110O-001-0474



TE Part # 7-2266672-7
OC-090F110O-CRIMPTOOLINGKIT

Customers Also Bought



TE Part #206070-8
CABLE CLAMP KIT #17



TE Part #DT04-2P
REC, 2P, GRY, N



TE Part #DT06-2S
PLG, 2P, GRY, N



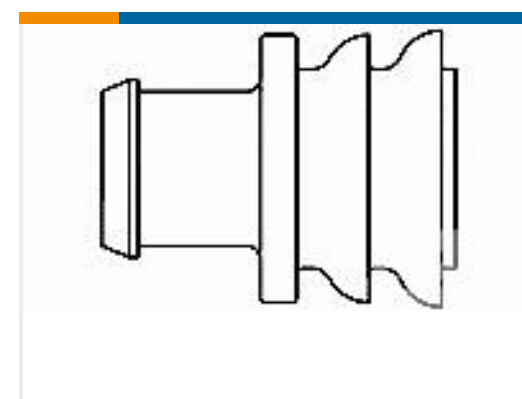
TE Part #W2S
Wedgelocks: DEUTSCH DT



TE Part #0462-201-16141
DEUTSCH Solid Contacts



TE Part #282104-1
AMP SUPERSEAL 1.5MM,
CONNECTOR HOUSING



TE Part #281934-2
SINGLE WIRE SEAL

Documents



Product Drawings

[PIN .175 DIA REC 20-16AWG PB](#)

English

CAD Files

[3D PDF](#)

3D

Customer View Model

[ENG_CVM_CVM_154740-1_C_c-154740-1-c.2d_dxf.zip](#)

English

Customer View Model

[ENG_CVM_CVM_154740-1_C_c-154740-1-c.3d_igs.zip](#)

English

Customer View Model

[ENG_CVM_CVM_154740-1_C_c-154740-1-c.3d_stp.zip](#)

English

By downloading the CAD file I accept and agree to the [Terms and Conditions](#) of use.