

154717-3 ✓ ACTIVE

Positive Lock | Mark I, Positive Lock 250

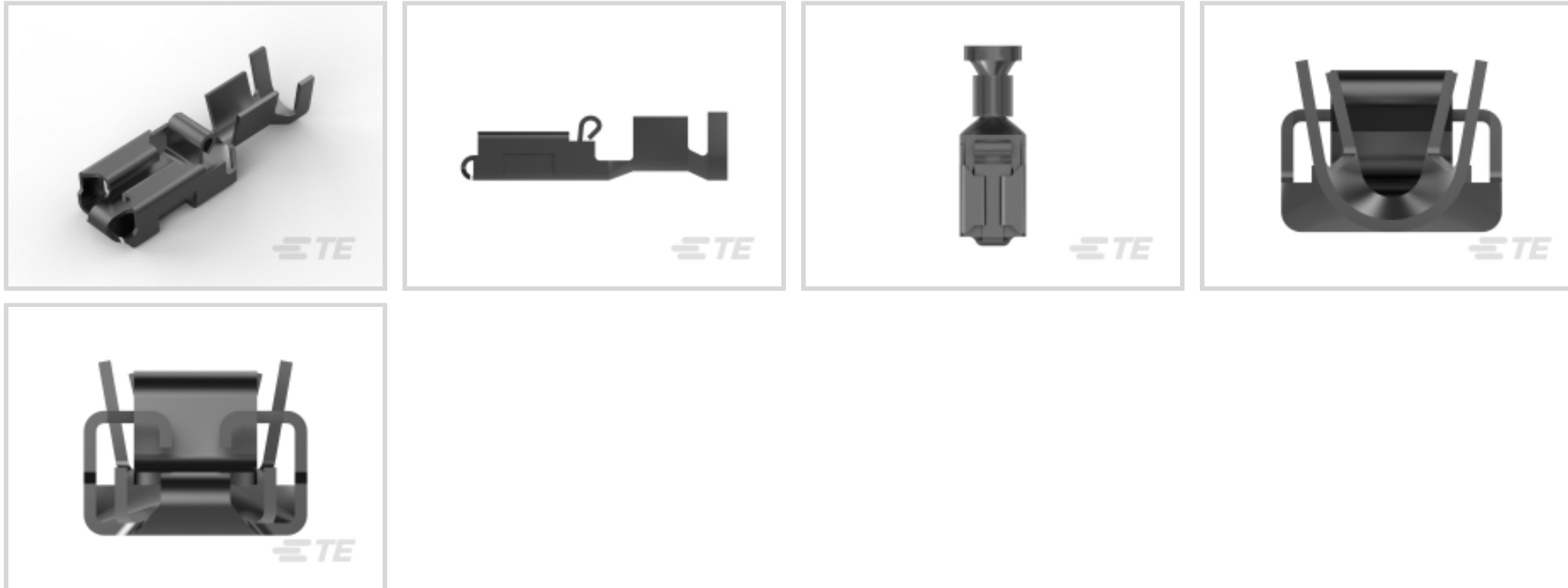
TE Internal #: 154717-3

Quick Disconnects, Receptacle, 14 – 11 AWG Wire Size, 2.1 – 4.17 mm² Wire Size, Mating Tab Width 6.35 mm [.25 in], Straight, Brass, Positive Lock 250

[View on TE.com >](#)



Terminals & Splices > Quick Disconnects



Quick Disconnect Terminal Type: **Receptacle**

Wire Size: **2.1 – 4.17 mm²**

Mating Tab Width: **6.35 mm [.25 in]**

Mating Tab Thickness: **.81 mm [.032 in]**

Features

Product Type Features

Insertion Force	Low
-----------------	-----

Configuration Features

Connection Capacity	Single
Compatible With Wire & Cable Type	FLK

Contact Features

Quick Disconnect Terminal Type	Receptacle
Mating Tab Width	6.35 mm [.25 in]
Mating Tab Thickness	.81 mm [.032 in]
Terminal Orientation	Straight
Contact Base Material	Brass
Terminal Plating Material	Tin
Crimp Type	F-Crimp
Barrel Type	Open

Termination Features

--	--



Product Terminates To	Wire & Cable
-----------------------	--------------

Mechanical Attachment

Extraction Force	7 – 100 Newton
------------------	----------------

Wire Insulation Support	With
-------------------------	------

Mating Retention Type	Dimple
-----------------------	--------

Dimensions

Terminal Material Thickness	.41 mm[.016 in]
-----------------------------	-----------------

Product Length	22.5 mm[.886 in]
----------------	------------------

Compatible Insulation Diameter Range	3.6 – 4.3 mm[.141 – .169 in]
--------------------------------------	------------------------------

Wire Size	2.1 – 4.17 mm ²
-----------	----------------------------

Usage Conditions

Insulation Option	Uninsulated
-------------------	-------------

Operating Temperature Range	-40 – 110 °C[-40 – 230 °F]
-----------------------------	----------------------------

Industry Standards

Agency/Standard	UL
-----------------	----

Packaging Features

Packaging Quantity	1500
--------------------	------

Packaging Method	Strip/Reel
------------------	------------

Product Compliance

[For compliance documentation, visit the product page on TE.com>](#)

EU RoHS Directive 2011/65/EU	Compliant
------------------------------	-----------

EU ELV Directive 2000/53/EC	Compliant
-----------------------------	-----------

China RoHS 2 Directive MIIT Order No 32, 2016	No Restricted Materials Above Threshold
---	---

EU REACH Regulation (EC) No. 1907/2006	Current ECHA Candidate List: JUNE 2023 (235) Candidate List Declared Against: JUNE 2023 (235) Does not contain REACH SVHC
--	---

Halogen Content	Low Halogen - Br, Cl, F, I < 900 ppm per homogenous material. Also BFR/CFR/PVC Free
-----------------	---


Solder Process Capability	Not applicable for solder process capability
---------------------------	--

Product Compliance Disclaimer



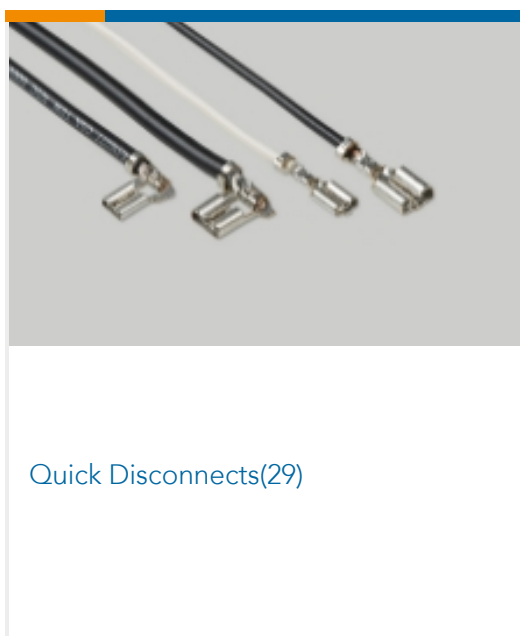
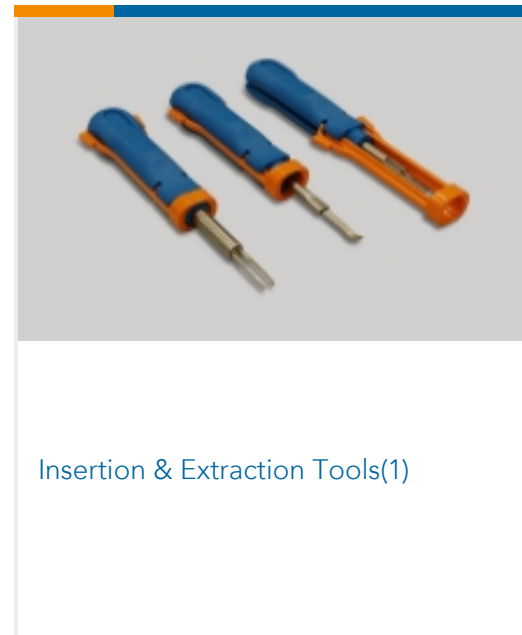
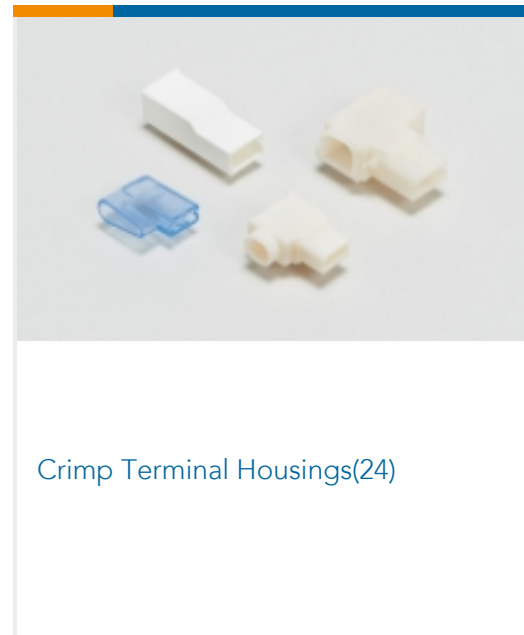
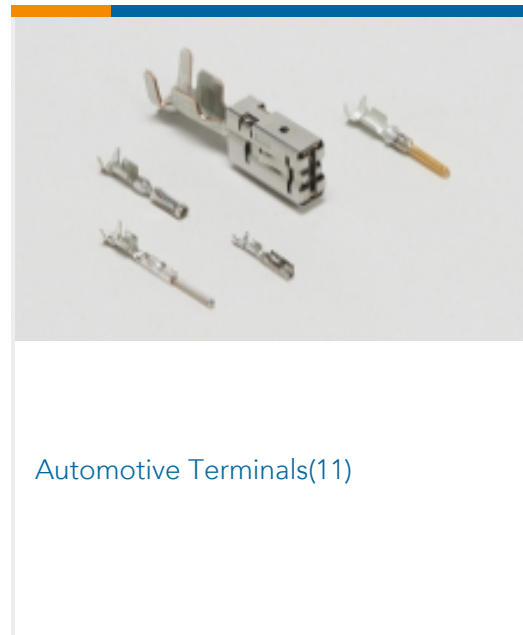
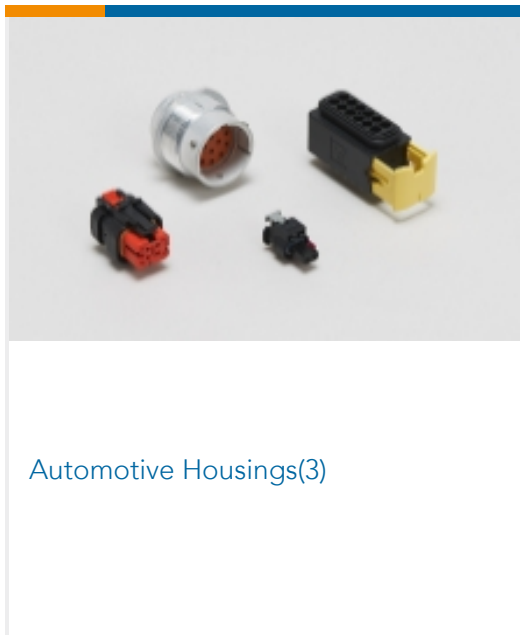
This information is provided based on reasonable inquiry of our suppliers and represents our current actual knowledge based on the information they provided. This information is subject to change. The part numbers that TE has identified as EU RoHS compliant have a maximum concentration of 0.1% by weight in homogenous materials for lead, hexavalent chromium, mercury, PBB, PBDE, DBP, BBP, DEHP, DIBP, and 0.01% for cadmium, or qualify for an exemption to these limits as defined in the Annexes of Directive 2011/65/EU (RoHS2). Finished electrical and electronic equipment products will be CE marked as required by Directive 2011/65/EU. Components may not be CE marked. Additionally, the part numbers that TE has identified as EU ELV compliant have a maximum concentration of 0.1% by weight in homogenous materials for lead, hexavalent chromium, and mercury, and 0.01% for cadmium, or qualify for an exemption to these limits as defined in the Annexes of Directive 2000/53/EC (ELV). Regarding the REACH Regulation, the information TE provides on SVHC in articles for this part number is based on the latest European Chemicals Agency (ECHA) 'Guidance on requirements for substances in articles' posted at this URL: <https://echa.europa.eu/guidance-documents/guidance-on-reach>

Compatible Parts

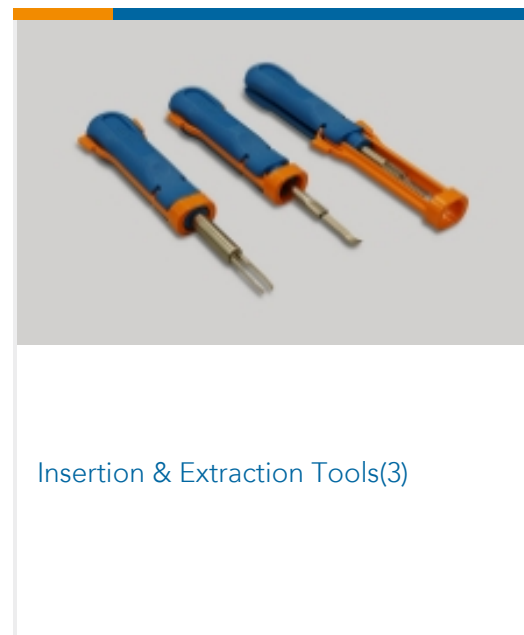
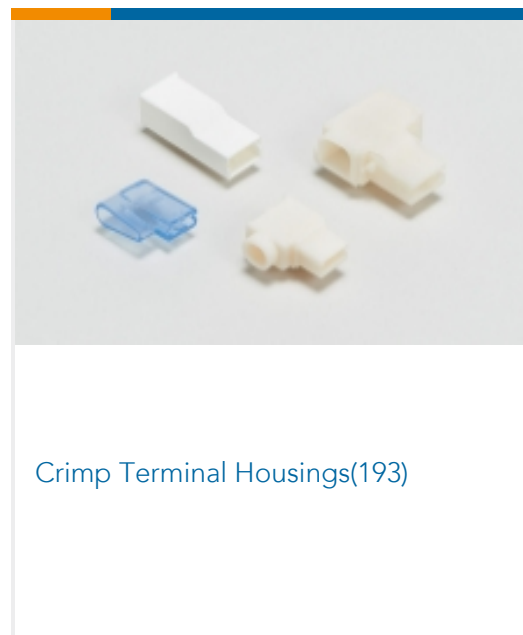
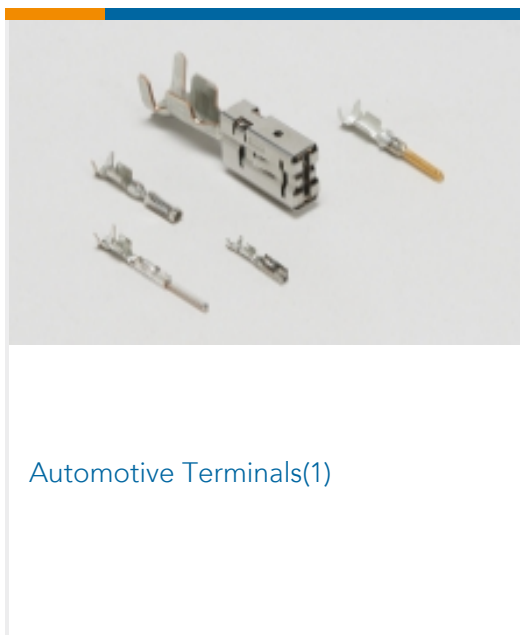
 <p>TE Part # 1-154719-0 PL 250 REC HSG 1P NYLON NAT</p>	 <p>TE Part # 281852-2 PL 250 REC HSG 4P NYLON BLACK</p>	 <p>TE Part # 154719-2 PL 250 REC HSG 1P NYLON RED</p>	 <p>TE Part # 154719-4 PL 250 REC HSG 1P NYLON YELLOW</p>
 <p>TE Part # 520961-1 PL 250 HOUSING BLACK NYLON</p>	 <p>TE Part # 154719 250 HSG. PL MKI REC. BLACK</p>	 <p>TE Part # 154719-1 250 HSG. PL MKI REC. NAT</p>	 <p>TE Part # 2305570-1 Strip Terminal Cutter-Side Feed-No Crimp</p>
 <p>TE Part # 525651 DAHT POSITIVE LOCK 18-11 ASSY</p>	 <p>TE Part # 724659-2 EXT TOOL FOR POSITIVE .250</p>	 <p>TE Part # 926526-1 PL MKI 250 REC HSG 5P NYLON BLACK</p>	 <p>TE Part # 2-154719-0 PL 250 REC HSG 1P NYLON RED</p>
 <p>TE Part # 4-154719-0 POSITIVE LOCK (PL) RECEPTACLE</p>	 <p>TE Part # 154719-9 PL 250 REC HSG 1P NYLON BROWN</p>	 <p>TE Part # 154719-5 PL 250 REC HSG 1P NYLON GREEN</p>	 <p>TE Part # 154719-6 PL 250 REC HSG 1P NYLON BLUE</p>



Also in the Series | **Mark I**



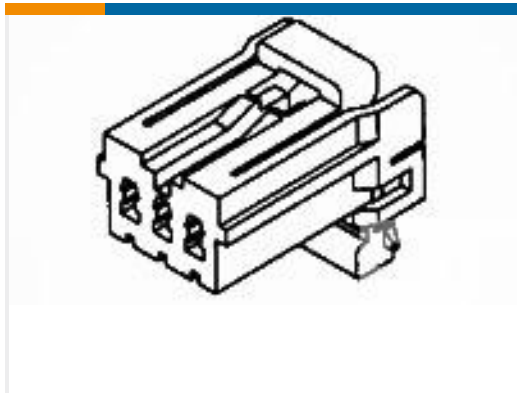
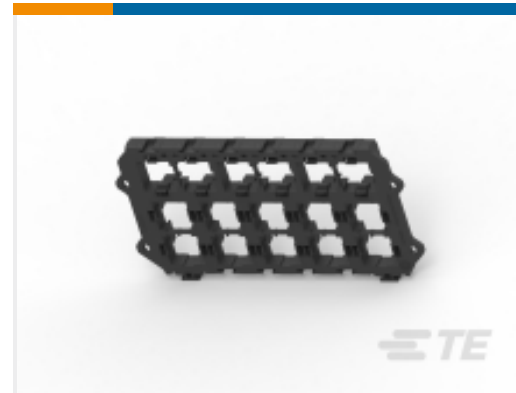
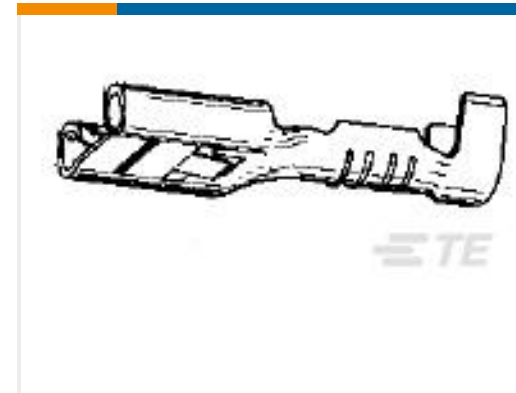
Also in the Series | **Positive Lock 250**





Quick Disconnects(186)

Customers Also Bought

TE Part #174922-2
070 MLC W-W PLUGTE Part #NB07112001
BATTU-20.1/8.9-A1-0-STKTE Part #444308-2
FRAME FUSE RELAY BOXTE Part #962834-1
FF 374 REC 2.5-4 MM2 PLAIN CUSN4TE Part #880398-2
FUSE CONTACTTE Part #1987984-1
AMP IN TERMINAL 11.5-10 AWGTE Part #1743637-2
HYB SLD 36P PLUG COVER HSGTE Part #254273-E
SMCB 12 M AB VV 7-03 CL * 0007 137
E004TE Part #AS014-35PA
RECEPT 2 HOLE MTG. TYPE 0TE Part #444312-1
HSG 12 POSN, FUSE CONTACT

Documents

Product Drawings

[PL 250 REC TERMINAL 14-11 AWG TPBR](#)

English

CAD Files

[3D PDF](#)

3D

[Customer View Model](#)

[ENG_CVM_CVM_154717-3_AU.2d_dxf.zip](#)



English

Customer View Model

[ENG_CVM_CVM_154717-3_AU.3d_igs.zip](#)

English

Customer View Model

[ENG_CVM_CVM_154717-3_AU.3d_stp.zip](#)

English

By downloading the CAD file I accept and agree to the [Terms and Conditions](#) of use.

Datasheets & Catalog Pages

[1654742_HOUSEHOLD_APPLIANCES_RAST5](#)

English

Positive Lock Receptacles

English

Product Specifications

Application Specification

English

Application Specification

English

Product Environmental Compliance

Product Compliance Document

English

Product Compliance Document

English