

154717-1 ✓ ACTIVE

Positive Lock | Mark I, Positive Lock 250

TE Internal #: 154717-1

Quick Disconnects, Receptacle, 14 – 11 AWG Wire Size, 2.62 – 4.17 mm² Wire Size, Mating Tab Width 6.35 mm [.25 in], Straight, Brass, Positive Lock 250

[View on TE.com >](#)



Terminals & Splices > Quick Disconnects



Quick Disconnect Terminal Type: **Receptacle**

Wire Size: **2.62 – 4.17 mm²**

Mating Tab Width: **6.35 mm [.25 in]**

Mating Tab Thickness: **.81 mm [.032 in]**

Features

Product Type Features

Insertion Force	Low
-----------------	-----

Configuration Features

Connection Capacity	Single
---------------------	--------

Compatible With Wire & Cable Type	FLK
-----------------------------------	-----

Contact Features

Quick Disconnect Terminal Type	Receptacle
--------------------------------	------------

Mating Tab Width	6.35 mm [.25 in]
------------------	------------------

Mating Tab Thickness	.81 mm [.032 in]
----------------------	------------------

Terminal Orientation	Straight
----------------------	----------

Contact Base Material	Brass
-----------------------	-------

Terminal Plating Material	Unplated
---------------------------	----------

Crimp Type	F-Crimp
------------	---------

Barrel Type	Open
-------------	------

Termination Features



Product Terminates To	Wire & Cable
-----------------------	--------------

Mechanical Attachment

Extraction Force	7 – 100 Newton
Wire Insulation Support	With
Mating Retention Type	Dimple

Dimensions

Terminal Material Thickness	.41 mm[.016 in]
Product Length	22.5 mm[.886 in]
Compatible Insulation Diameter Range	3.6 – 4.3 mm[.141 – .169 in]
Wire Size	2.62 – 4.17 mm ²

Usage Conditions

Insulation Option	Uninsulated
Operating Temperature Range	-40 – 110 °C[-40 – 230 °F]

Industry Standards

Agency/Standard	UL
-----------------	----

Packaging Features

Packaging Quantity	1500
Packaging Method	Strip/Reel

Other

Terminals & Splices Comment	FLK-Wire: Normal Wire
-----------------------------	-----------------------

Product Compliance

[For compliance documentation, visit the product page on TE.com>](#)

EU RoHS Directive 2011/65/EU	Compliant
EU ELV Directive 2000/53/EC	Compliant
China RoHS 2 Directive MIIT Order No 32, 2016	No Restricted Materials Above Threshold
EU REACH Regulation (EC) No. 1907/2006	Current ECHA Candidate List: JUNE 2023 (235) Candidate List Declared Against: JUNE 2023 (235) Does not contain REACH SVHC
Halogen Content	Low Halogen - Br, Cl, F, I < 900 ppm per homogenous material. Also BFR/CFR/PVC Free

Solder Process Capability

Not applicable for solder process capability

Product Compliance Disclaimer

This information is provided based on reasonable inquiry of our suppliers and represents our current actual knowledge based on the information they provided. This information is subject to change. The part numbers that TE has identified as EU RoHS compliant have a maximum concentration of 0.1% by weight in homogenous materials for lead, hexavalent chromium, mercury, PBB, PBDE, DBP, BBP, DEHP, DIBP, and 0.01% for cadmium, or qualify for an exemption to these limits as defined in the Annexes of Directive 2011/65/EU (RoHS2). Finished electrical and electronic equipment products will be CE marked as required by Directive 2011/65/EU. Components may not be CE marked. Additionally, the part numbers that TE has identified as EU ELV compliant have a maximum concentration of 0.1% by weight in homogenous materials for lead, hexavalent chromium, and mercury, and 0.01% for cadmium, or qualify for an exemption to these limits as defined in the Annexes of Directive 2000/53/EC (ELV). Regarding the REACH Regulation, the information TE provides on SVHC in articles for this part number is based on the latest European Chemicals Agency (ECHA) 'Guidance on requirements for substances in articles' posted at this URL: <https://echa.europa.eu/guidance-documents/guidance-on-reach>

Compatible Parts



TE Part # 2305570-1
Strip Terminal Cutter-Side Feed-No Crimp



TE Part # 525651
DAHT POSITIVE LOCK 18-11 ASSY



TE Part # 724659-2
EXT TOOL FOR POSITIVE .250



TE Part # 626580-1
PL 250 REC 1.0-2.5 MM2 0.35X 26.54 BR



TE Part # 1380089-1
PL MKIII .250 REC 1.0-2.5MM2



TE Part # 1380088-1
PL MKIII .250 REC 0.5-1.0MM2



TE Part # 626581-1
PL 250 REC 0.5-1.5 MM2 0.35X 26.54 BR



TE Part # 2-2151510-2
OCEAN_2.0 APPLICATOR-S-140F180F



TE Part # 2-2837766-2
OCEAN-2.0-APPLICATOR-S-140F180F



TE Part # 2151510-2
OCEAN_2.0 APPLICATOR-S-140F180F



TE Part # 2837766-2
OCEAN-2.0-APPLICATOR-S-140F180F



TE Part # 7-2151510-2
OCEAN_2.0 APPLICATOR-S-140F180F



KIT

REPRESENTATION ONLY

TE Part # 7-2151510-7
OCEAN_2.0_SPARE_PART_KIT-140F180F

TE Part # 7-2837766-2
OCEAN-2.0-APPLICATOR-S-140F180F

KIT

REPRESENTATION ONLY

TE Part # 7-2837766-7
OCEAN_2.0_SPARE_PART_KIT-140F180F

TE Part # 2-2266244-2
OC-PA-S-FA-140F180OV-001-0121

TE Part # 2266244-2
OC-AT-S-FA-140F180OV-001-0121

KIT

REPRESENTATION ONLY

TE Part # 7-2266244-7
OC-140F180OV-CRIMPTOOLINGKIT

Also in the Series | **Mark I**

Automotive Housings(1)

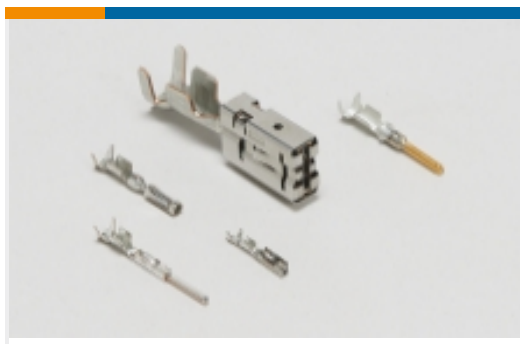
Automotive Terminals(11)

Crimp Terminal Housings(24)

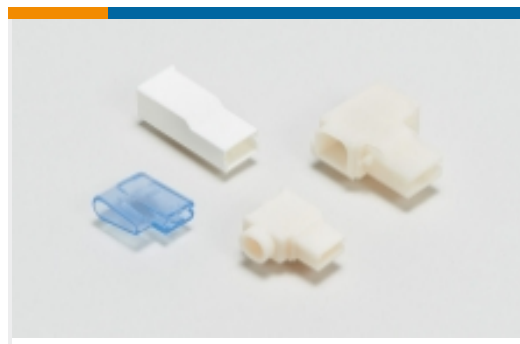
Insertion & Extraction Tools(1)

Quick Disconnects(29)

Also in the Series | **Positive Lock 250**



Automotive Terminals(1)



Crimp Terminal Housings(193)



Insertion & Extraction Tools(3)

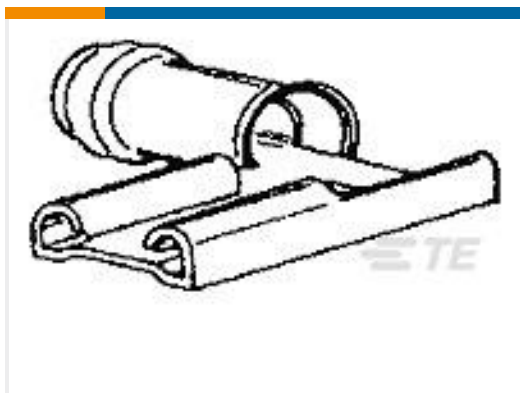


Insulation Boots & Sleeves(4)



Quick Disconnects(186)

Customers Also Bought



TE Part #156667-1
PIDG FASTON FLAG ASSY 22-18



TE Part #2-1415899-2
RZ03-1C4-D012



TE Part #1-2834075-2
2P REC, MINIATURE WATERPROOF
CONN.WHITE



TE Part #640900-1
05P UMNL PIN HDR ASSY 94VO



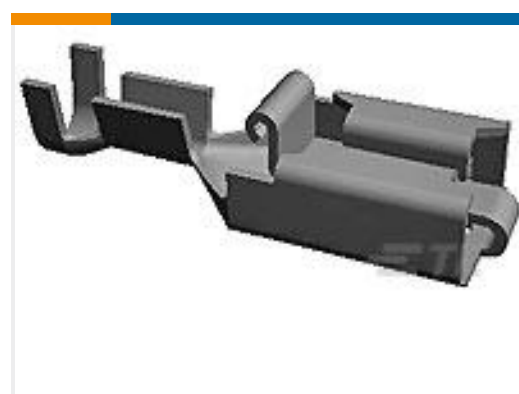
TE Part #350792-1
04P UMML PIN HDR ASSY 94VO



TE Part #350789-1
03P UMNL PIN HDR ASSY 94VO



TE Part #154719-1
250 HSG. PL MKI REC. NAT



TE Part #790319-3
250 PL MKI REC. 12-10AWG PTBR



TE Part #7-1676480-8
CRG0402 1% 620K

Documents



Product Drawings

PL 250 REC TERMINAL 13-11 AWG BR

English

CAD Files

3D PDF

3D

Customer View Model

[ENG_CVM_CVM_154717-1_AU.2d_dxf.zip](#)

English

Customer View Model

[ENG_CVM_CVM_154717-1_AU.3d_igs.zip](#)

English

Customer View Model

[ENG_CVM_CVM_154717-1_AU.3d_stp.zip](#)

English

By downloading the CAD file I accept and agree to the [Terms and Conditions](#) of use.

Datasheets & Catalog Pages

1654742_HOUSEHOLD_APPLIANCES_RAST5

English

Product Specifications

Application Specification

English

Application Specification

English

Product Environmental Compliance

MD_154717-1_0707201495_dmtec

English

MD_154717-1_0707201495_dmtec

English