

1546921-1 ✓ ACTIVE

AMP | AMP CPC

TE Internal #: 1546921-1

Sealing Sleeves, Heat Shrink & Sealing Tubing, .625 in Expanded Inside, .25 in Recovered Inside, Black, Polyolefin, AMP CPC

[View on TE.com >](#)



Wire Protection & Management > Heat Shrink Shapes > Sealing Sleeves



Sealing Sleeve Product Type: **Heat Shrink & Sealing Tubing**

Expanded Inside Diameter (Min): [.625 in]

Recovered Inside Diameter (Max): [.25 in]

Primary Product Color: **Black**

Primary Product Material: **Polyolefin**

Features

Product Type Features

Sealing Sleeve Product Type	Heat Shrink & Sealing Tubing
-----------------------------	------------------------------

Body Features

Primary Product Color	Black
Primary Product Material	Polyolefin

Dimensions

.25 in

Usage Conditions

Operating Temperature Range	-55 – 110 °C
-----------------------------	--------------

Product Compliance

[For compliance documentation, visit the product page on TE.com>](#)

EU RoHS Directive 2011/65/EU	Compliant
EU ELV Directive 2000/53/EC	Compliant
China RoHS 2 Directive MIIT Order No 32, 2016	No Restricted Materials Above Threshold



EU REACH Regulation (EC) No. 1907/2006

Current ECHA Candidate List: JUNE 2023 (235)

Candidate List Declared Against: JUNE 2023 (235)

Does not contain REACH SVHC

Halogen Content

BFR/CFR/PVC Free, but Br/Cl >900 ppm in other sources.

Solder Process Capability

Not applicable for solder process capability

Product Compliance Disclaimer

This information is provided based on reasonable inquiry of our suppliers and represents our current actual knowledge based on the information they provided. This information is subject to change. The part numbers that TE has identified as EU RoHS compliant have a maximum concentration of 0.1% by weight in homogenous materials for lead, hexavalent chromium, mercury, PBB, PBDE, DBP, BBP, DEHP, DIBP, and 0.01% for cadmium, or qualify for an exemption to these limits as defined in the Annexes of Directive 2011/65/EU (RoHS2). Finished electrical and electronic equipment products will be CE marked as required by Directive 2011/65/EU. Components may not be CE marked. Additionally, the part numbers that TE has identified as EU ELV compliant have a maximum concentration of 0.1% by weight in homogenous materials for lead, hexavalent chromium, and mercury, and 0.01% for cadmium, or qualify for an exemption to these limits as defined in the Annexes of Directive 2000/53/EC (ELV). Regarding the REACH Regulation, the information TE provides on SVHC in articles for this part number is based on the latest European Chemicals Agency (ECHA) 'Guidance on requirements for substances in articles' posted at this URL: <https://echa.europa.eu/guidance-documents/guidance-on-reach>

Compatible Parts

TE Part # CAT-AM71-C83998EE
Mini Circular Plastic Connectors (CPC)

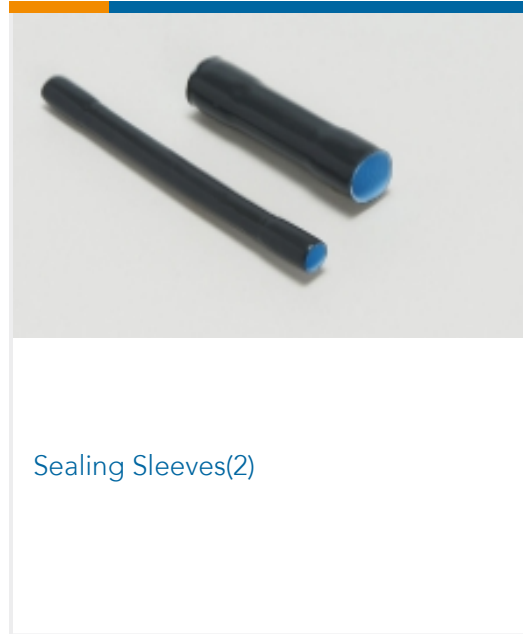
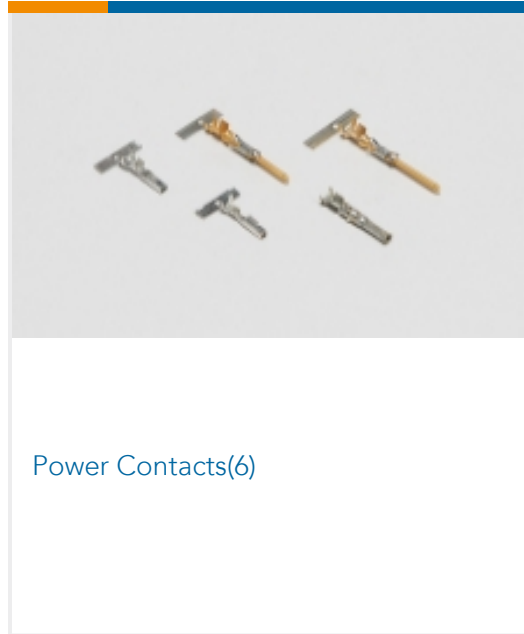
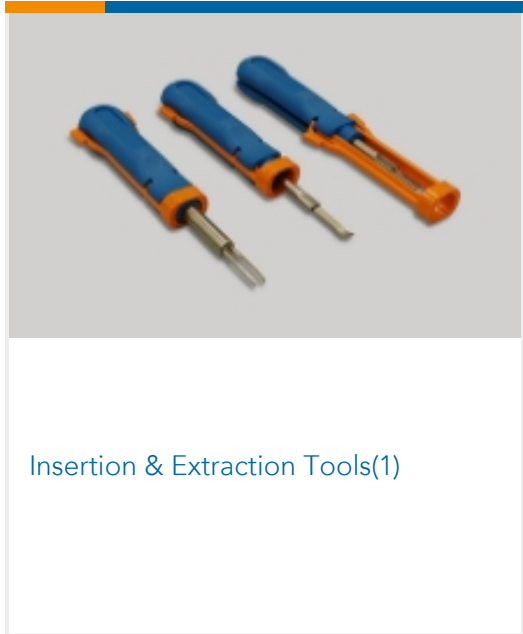
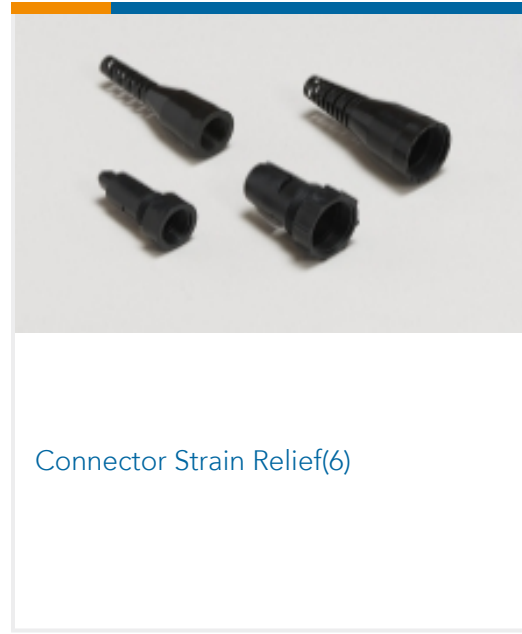
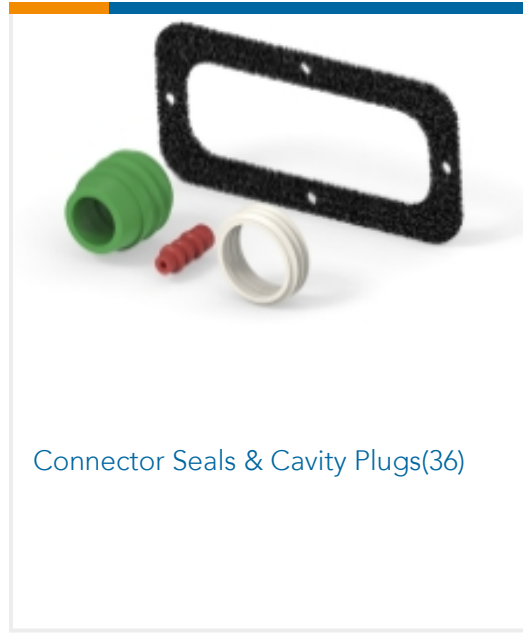
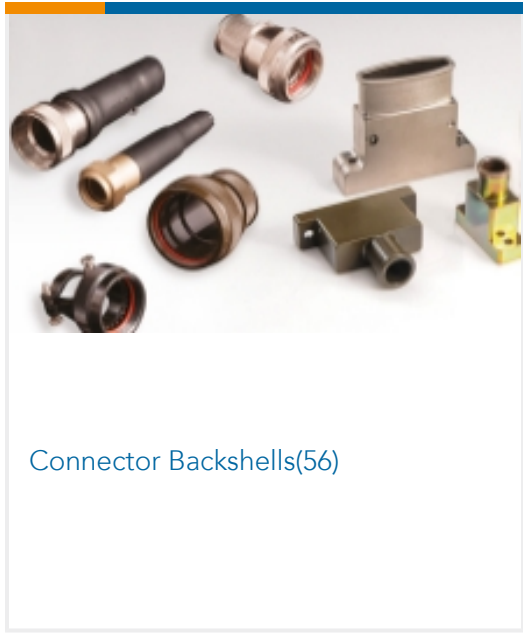
Also in the Series | AMP CPC

Circular Connector Adapters(7)

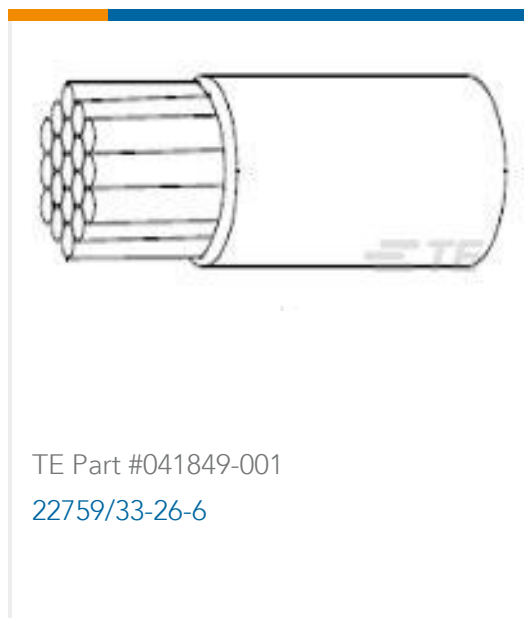
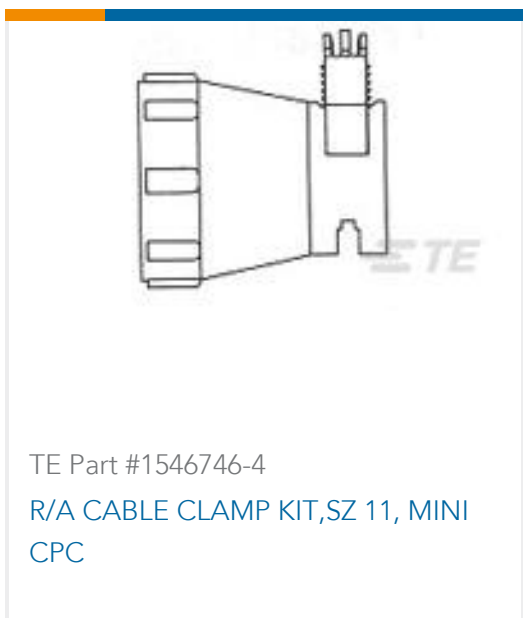
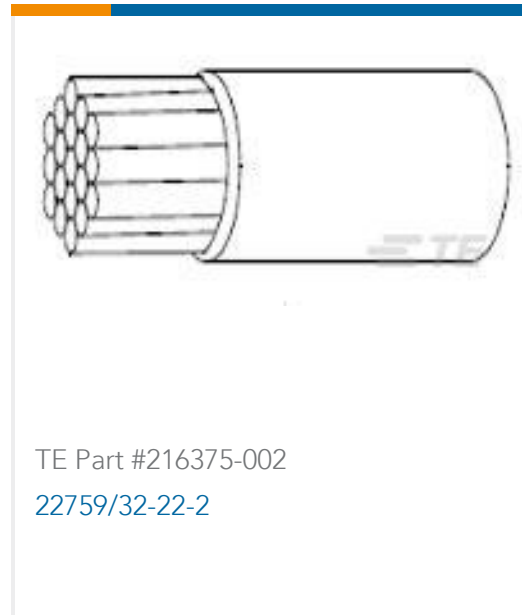
Circular Connector Hardware(3)

Circular Connector Keying Plugs(2)

Circular Power Connectors(458)



Customers Also Bought



Documents

Product Drawings

[STR RLF ASSY,TUBING,SIZE 11](#)

English

CAD Files

[3D PDF](#)

English

[Customer View Model](#)

[ENG_CVM_1546921-1_O.3d_igs.zip](#)



English

Customer View Model

[ENG_CVM_1546921-1_O.3d_stp.zip](#)

English

Customer View Model

[ENG_CVM_1546921-1_O.2d_dxf.zip](#)

English

[3D PDF](#)

3D

Customer View Model

[ENG_CVM_CVM_1546921-1_A.2d_dxf.zip](#)

English

Customer View Model

[ENG_CVM_CVM_1546921-1_A.3d_igs.zip](#)

English

Customer View Model

[ENG_CVM_CVM_1546921-1_A.3d_stp.zip](#)

English

By downloading the CAD file I accept and agree to the [Terms and Conditions](#) of use.

Datasheets & Catalog Pages

[1-1773902-9_CPC_Catalog](#)

English

[1-1773902-9_CPC_Catalog](#)

[1-1773902-9_CPC_Catalog](#)

German

[1-1773902-9_CPC_Catalog](#)

Japanese

[AMP Circular Connectors for Commercial Signal & Power Applications Continued](#)

English