



Industrial RJ45 Variant 3

TE Internal #: 1546641-1

RJ45 Connectors, Circular RJ45, Single Port, RJ Type Jacks & Plugs, Standard Connector Contact Density, Receptacle, Cat 5, Industrial RJ45 Variant 3

[View on TE.com >](#)

Connectors > Modular Jacks & Plugs > RJ45 Connectors



Modular Jack & Plug Interface Type: **Circular RJ45**

Port Configuration: **Single Port**

Modular Jacks & Plugs Products: **RJ Type Jacks & Plugs**

Connector Contact Density: **Standard**

Modular Connector Style: **Receptacle**

Features

Product Type Features

Modular Jack & Plug Interface Type	Circular RJ45
Modular Jacks & Plugs Products	RJ Type Jacks & Plugs
Modular Connector Style	Receptacle
Connector & Contact Terminates To	Wire & Cable

Configuration Features

Status Indicator Type	None
Port Configuration	Single Port
Connector Contact Density	Standard
Number of Positions	8
Number of Loaded Positions	8

Contact Features

Contact Current Rating (Max)	1.5 A
Contact Mating Area Plating Material	Gold

Mechanical Attachment



Connector Mounting Type	Panel Mount
-------------------------	-------------

Housing Features

Housing Material	Acrylonitrile-Butadiene-Styrene(ABS)
------------------	--------------------------------------

Usage Conditions

Operating Temperature Range	-20 – 80 °C[-4 – 176 °F]
-----------------------------	--------------------------

Operation/Application

Shielded	No
----------	----

Circuit Application	Signal
---------------------	--------

Industry Standards

IP Rating	IP67
-----------	------

Performance Category	Cat 5
----------------------	-------

Packaging Features

Packaging Quantity	1
--------------------	---

Packaging Method	Package
------------------	---------

Product Compliance

[For compliance documentation, visit the product page on TE.com>](#)

EU RoHS Directive 2011/65/EU	Compliant
------------------------------	-----------

EU ELV Directive 2000/53/EC	Compliant
-----------------------------	-----------

China RoHS 2 Directive MIIT Order No 32, 2016	No Restricted Materials Above Threshold
---	---

EU REACH Regulation (EC) No. 1907/2006	Current ECHA Candidate List: JUNE 2023 (235) Candidate List Declared Against: JUN 2016 (169) Does not contain REACH SVHC
--	--

Halogen Content	Not Yet Reviewed for halogen content
-----------------	--------------------------------------

Solder Process Capability	Not applicable for solder process capability
---------------------------	--

Product Compliance Disclaimer

This information is provided based on reasonable inquiry of our suppliers and represents our current actual knowledge based on the information they provided. This information is subject to change. The part numbers that TE has identified as EU RoHS compliant have a maximum concentration of 0.1% by weight in homogenous materials for lead, hexavalent chromium, mercury, PBB, PBDE, DBP, BBP, DEHP, DIBP, and 0.01% for cadmium, or qualify for an exemption to these limits as defined in the Annexes of Directive 2011/65/EU (RoHS2). Finished electrical and electronic equipment products will be CE marked as required by Directive 2011/65/EU. Components may not be CE marked. Additionally, the part numbers that TE has identified as EU ELV compliant have a maximum concentration of 0.1% by weight in homogenous materials for lead, hexavalent chromium, and mercury, and 0.01% for cadmium, or qualify for an exemption to these limits as defined in the Annexes of Directive 2000/53/EC (ELV). Regarding the REACH Regulation, the information TE provides



on SVHC in articles for this part number is based on the latest European Chemicals Agency (ECHA) 'Guidance on requirements for substances in articles' posted at this URL: <https://echa.europa.eu/guidance-documents/guidance-on-reach>

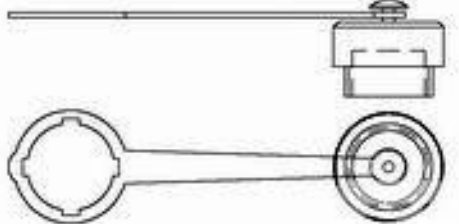
Compatible Parts



TE Part # 1-1546406-1
ETHERNET CLOSURE CAP RECPT W /LANYRD




TE Part # 1-1546407-1
ETHERNET CLOSURE CAP IP65,W/O LANYARD



TE Part # 1-1546408-1
ETHERNET CLOSUR CAP FOR CRDSET

Also in the Series | Industrial RJ45 Variant 3




Modular Jack & Plug Caps & Covers(3)



RJ45 Connectors(8)

Customers Also Bought



TE Part #829193-000
202A111-25/86-0



TE Part #1-1546406-1
ETHERNET CLOSURE CAP RECPT W /LANYRD



TE Part #62092-1
312 FASTON REC 18-14 AWG BR



TE Part #9-1415039-1
PT370S15



TE Part #2-2842244-0
20P,2MM,SHRD HDR,DRVT,SMD,0.1 AU,TB W/CP



TE Part #E74142-000
WP-508254-5-9



TE Part #1-350777-4
02P UMNL V0 PLUG HSG YELLOW

Documents

Product Drawings



THRD THRU PNL INTRCNCT,M40,IE

English

CAD Files

Customer View Model

[ENG_CVM_CVM_1546641-1_A.2d_dxf.zip](#)

English

3D PDF

3D

Customer View Model

[ENG_CVM_CVM_1546641-1_A.3d_igs.zip](#)

English

Customer View Model

[ENG_CVM_CVM_1546641-1_A.3d_stp.zip](#)

English

By downloading the CAD file I accept and agree to the [Terms and Conditions](#) of use.

Datasheets & Catalog Pages

[INDUSTRIAL_ETHERNET_PRODUCTS](#)

English