

1544603-1 ✓ ACTIVE

NG Power Terminals and Connectors, NG1

TE Internal #: 1544603-1

Housing for Female Terminals, Wire-to-Wire, 1 Position, Sealable, Black, Wire & Cable, Signal, Cable Mount (Free-Hanging), Hybrid

[View on TE.com >](#)



Connectors > Automotive Connectors > Automotive Housings



Connector System: **Wire-to-Wire**

Number of Positions: 1

Connector & Housing Type: **Housing for Female Terminals**

Sealable: **Yes**

Mating Tab Width: **8 mm [ .314 in ]**

### Features

#### Product Type Features

Mixed & Hybrid Connector	No
Connector Shape	Rectangular
Connector System	Wire-to-Wire
Connector & Housing Type	Housing for Female Terminals
Sealable	Yes
Connector & Contact Terminates To	Wire & Cable
Primary Locking Feature	Integrated in Housing

#### Configuration Features

Number of Positions	1
Number of Rows	1

#### Electrical Characteristics

Operating Voltage	13 VDC
Nominal Voltage Architecture	12 V

#### Body Features

Cable Exit Angle	180°
Primary Product Color	Black
Connector & Keying Code	Neutral

#### Contact Features

--	--



Contact Size	8mm
Contact Type	Receptacle
Mating Tab Width	8 mm[.314 in]

#### Mechanical Attachment

Terminal Position Assurance	Yes
Strain Relief	Without
Mating Alignment Type	Keyed
Mating Alignment	With
Connector Mounting Type	Cable Mount (Free-Hanging)

#### Housing Features

Housing Material	PBT
------------------	-----

#### Dimensions

Connector Height	31 mm[1.22 in]
Product Width	40 mm[1.575 in]
Product Length	25.6 mm[1.008 in]

#### Usage Conditions

Operating Temperature (Max)	100 °C[212 °F]
Operating Temperature Range	-40 – 100 °C[-40 – 212 °F]

#### Operation/Application

Circuit Application	Signal
---------------------	--------

#### Industry Standards

Degree of Protection	IP67
UL Flammability Rating	UL 94HB

#### Packaging Features

Packaging Quantity	2000
Packaging Method	Box

#### Other

Serviceable	Yes
Connector Position Assurance Capable	Yes

#### Product Compliance

[For compliance documentation, visit the product page on TE.com>](#)



EU RoHS Directive 2011/65/EU	Compliant
EU ELV Directive 2000/53/EC	Compliant
China RoHS 2 Directive MIIT Order No 32, 2016	No Restricted Materials Above Threshold
EU REACH Regulation (EC) No. 1907/2006	Current ECHA Candidate List: JUNE 2023 (235) Candidate List Declared Against: JUNE 2023 (235) Does not contain REACH SVHC
Halogen Content	Low Halogen - Br, Cl, F, I < 900 ppm per homogenous material. Also BFR/CFR/PVC Free
Solder Process Capability	Not applicable for solder process capability

Product Compliance Disclaimer

This information is provided based on reasonable inquiry of our suppliers and represents our current actual knowledge based on the information they provided. This information is subject to change. The part numbers that TE has identified as EU RoHS compliant have a maximum concentration of 0.1% by weight in homogenous materials for lead, hexavalent chromium, mercury, PBB, PBDE, DBP, BBP, DEHP, DIBP, and 0.01% for cadmium, or qualify for an exemption to these limits as defined in the Annexes of Directive 2011/65/EU (RoHS2). Finished electrical and electronic equipment products will be CE marked as required by Directive 2011/65/EU. Components may not be CE marked. Additionally, the part numbers that TE has identified as EU ELV compliant have a maximum concentration of 0.1% by weight in homogenous materials for lead, hexavalent chromium, and mercury, and 0.01% for cadmium, or qualify for an exemption to these limits as defined in the Annexes of Directive 2000/53/EC (ELV). Regarding the REACH Regulation, the information TE provides on SVHC in articles for this part number is based on the latest European Chemicals Agency (ECHA) 'Guidance on requirements for substances in articles' posted at this URL: <https://echa.europa.eu/guidance-documents/guidance-on-reach>

### Compatible Parts



Also in the Series | **NG Power Terminals and Connectors**



Automotive Connector Caps & Covers (2)



Automotive Housings(54)



Automotive Terminals(28)



Connector Seals & Cavity Plugs(7)



Insertion & Extraction Tools(13)

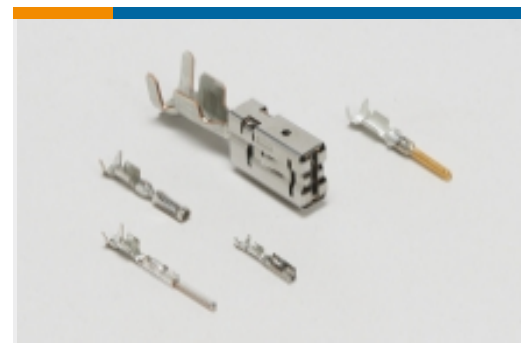
## Also in the Series | NG1



Automotive Connector Caps & Covers (2)



Automotive Housings(44)



Automotive Terminals(19)

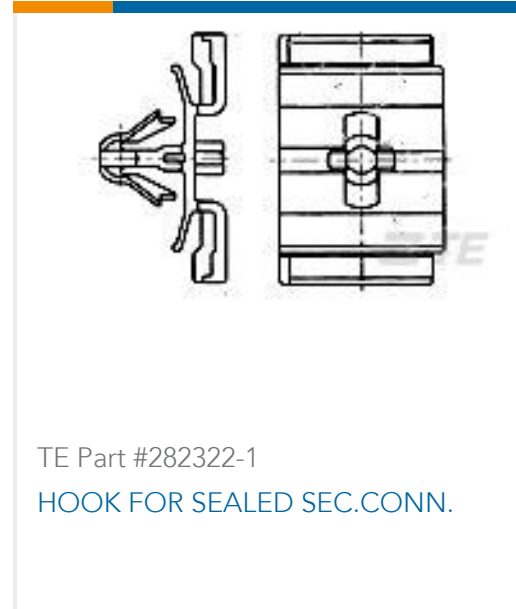
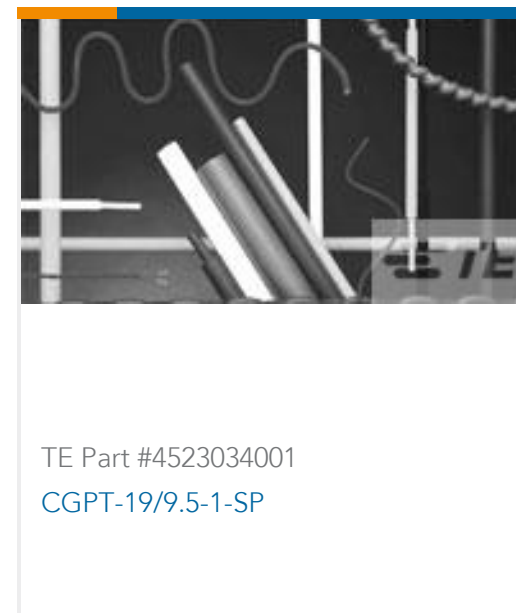


Connector Seals & Cavity Plugs(8)



Insertion & Extraction Tools(12)

## Customers Also Bought



## Documents

### Product Drawings

[1W 8MM NG1 SEALED CLIP ASSY BLACK](#)

English

### CAD Files

Customer View Model

[ENG\\_CVM\\_CVM\\_1544603-1\\_B.2d\\_dxf.zip](#)

English

### 3D PDF

3D

Customer View Model

[ENG\\_CVM\\_CVM\\_1544603-1\\_B.3d\\_igs.zip](#)

English

Customer View Model

[ENG\\_CVM\\_CVM\\_1544603-1\\_B.3d\\_stp.zip](#)

English

By downloading the CAD file I accept and agree to the [Terms and Conditions](#) of use.

## Product Specifications



## Product Specification

English

---

## Instruction Sheets

[Instruction Sheet \(non U.S.\)](#)

English

[PRECONISATION DE CONTROLE PAR < PUSH-TEST > DU PORTE-CLIP 1 VOIE 8NG1 ETANCHE TESTING INSTRUCTIONS FOR < PUSH TEST > ON THE 1-WAY 8NG1 WATERPROOF CLIP HOUSING](#)

English

[Instruction Sheet \(non U.S.\)](#)

English

[Instruction Sheet \(non U.S.\)](#)

French