



NG Power Terminals and Connectors, NG1

TE Internal #: 1544333-1

Automotive Terminals, Tab, Mating Tab Width 8 mm [.315 in], Tab Thickness 1 mm [.039 in], 9 – 7 AWG Wire Size, NG Power Terminals and Connectors

[View on TE.com >](#)

Terminals & Splices > Automotive Terminals



Terminal Type: **Tab**

Mating Tab Width: **8 mm [.315 in]**

Mating Tab Thickness: **1 mm [.039 in]**

Terminal Transmits: **41 – 100 A (High Power)**

Wire Size: **9 – 7 AWG**

Features

Product Type Features

| | |
|-------------------------|------------|
| Sealable | Yes |
| Primary Locking Feature | Clean Body |

Body Features

| | |
|--------------------|------------------------|
| Terminal Seal Type | Single Wire Seal (SWS) |
|--------------------|------------------------|

Contact Features

| | |
|------------------------|------------------|
| Contact Size | 8mm |
| Contact Fabrication | Stamped & Formed |
| Typical Current Rating | 55 A |
| Crimp Type | F-Crimp |
| Terminal Type | Tab |
| Mating Tab Width | 8 mm [.315 in] |
| Mating Tab Thickness | 1 mm [.039 in] |
| Interface Plating | Tin (Sn) |

Termination Features

| | |
|------------------------------------|-------|
| Termination Method to Wire & Cable | Crimp |
| Product Terminates To | Wire |

Dimensions



| | |
|--------------------------------------|-------------------------------|
| Compatible Insulation Diameter Range | 4.9 – 5.9 mm [.193 – .233 in] |
| Wire Size | 7 – 10 mm ² |
| Wire Size Search | 7 AWG, 8 AWG, 9 AWG |

Usage Conditions

| | |
|-----------------------------|--|
| Insulation Option | Uninsulated |
| Operating Temperature (Max) | 80 °C, 85 °C, 90 °C, 100 °C, 105 °C, 110 °C, 120 °C, 125 °C [176 °F][185 °F][194 °F][212 °F][221 °F][230 °F][248 °F][257 °F] |
| Operating Temperature Range | -40 – 125 °C [-40 – 257 °F] |

Operation/Application

| | |
|------------------------------------|--------|
| Compatible With Wire Base Material | Copper |
|------------------------------------|--------|

Packaging Features

| | |
|--------------------|------|
| Packaging Quantity | 850 |
| Packaging Method | Reel |

Other

| | |
|--------------------|-------------------------|
| Terminal Transmits | 41 – 100 A (High Power) |
|--------------------|-------------------------|

Product Compliance

[For compliance documentation, visit the product page on TE.com>](#)

| | |
|---|---|
| EU RoHS Directive 2011/65/EU | Compliant |
| EU ELV Directive 2000/53/EC | Compliant |
| China RoHS 2 Directive MIIT Order No 32, 2016 | No Restricted Materials Above Threshold |
| EU REACH Regulation (EC) No. 1907/2006 | Current ECHA Candidate List: JUNE 2023 (235) Candidate List Declared Against: JUNE 2023 (235) Does not contain REACH SVHC |
| Halogen Content | Low Halogen - Br, Cl, F, I < 900 ppm per homogenous material. Also BFR/CFR/PVC Free |
| Solder Process Capability | Not applicable for solder process capability |

Product Compliance Disclaimer

This information is provided based on reasonable inquiry of our suppliers and represents our current actual knowledge based on the information they provided. This information is subject to change. The part numbers that TE has identified as EU RoHS compliant have a maximum concentration of 0.1% by weight in homogenous materials for lead, hexavalent chromium, mercury, PBB, PBDE, DBP, BBP, DEHP, DIBP, and 0.01% for cadmium, or qualify for an exemption to these limits as defined in the Annexes of Directive 2011/65/EU (RoHS2). Finished electrical and electronic equipment products

will be CE marked as required by Directive 2011/65/EU. Components may not be CE marked. Additionally, the part numbers that TE has identified as EU ELV compliant have a maximum concentration of 0.1% by weight in homogenous materials for lead, hexavalent chromium, and mercury, and 0.01% for cadmium, or qualify for an exemption to these limits as defined in the Annexes of Directive 2000/53/EC (ELV). Regarding the REACH Regulation, the information TE provides on SVHC in articles for this part number is based on the latest European Chemicals Agency (ECHA) 'Guidance on requirements for substances in articles' posted at this URL: <https://echa.europa.eu/guidance-documents/guidance-on-reach>

Compatible Parts



TE Part # 1544334-1
PL 2V 8MM NG1 MONT



TE Part # 1544316-1
JOINT VERT G2



TE Part # 1544148-1
PORTE LANGUETTE ET



TE Part # 1544606-1
TAB HOUSING, 8MM NG1, 1 WAY



TE Part # 1544227-1
CLIP 8 MM NG1-1 PO



TE Part # 1544334-2
PL 2V 8MM NG1 MONT



TE Part # 1544334-3
PL 2V 8MM NG1 MONT



TE Part # 1544606-2
TAB HOUSING, 8MM NG1, 1 WAY



TE Part # 1544606-3
TAB HOUSING, 8MM NG1, 1 WAY



TE Part # 2-2836052-2
OCEAN_2.0_Applicator-S-217F323OV



TE Part # 2836052-2
OCEAN_2.0_Applicator-S-217F323OV



TE Part # 7-1579018-4
EXTRACTION TOOL



TE Part # 7-2836052-2
OCEAN_2.0_Applicator-S-217F323OV



KIT
REPRESENTATION ONLY

TE Part # 7-2836052-7
OCEAN_2.0_SPARE_PART_KIT-217F323OV



TE Part # 1544434-1
BOITIER PC 2 VOIES

Also in the Series | **NG Power Terminals and Connectors**



Automotive Connector Caps & Covers (2)



Automotive Housings(54)



Automotive Terminals(28)



Connector Seals & Cavity Plugs(7)



Insertion & Extraction Tools(13)

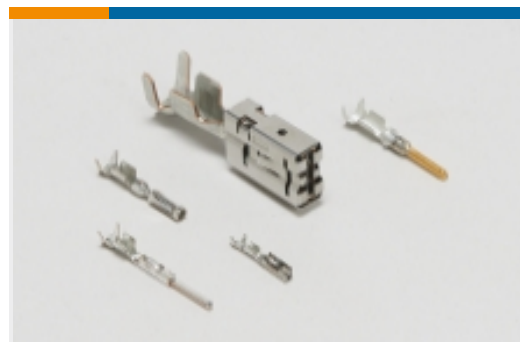
Also in the Series | NG1



Automotive Connector Caps & Covers (2)



Automotive Housings(44)



Automotive Terminals(19)

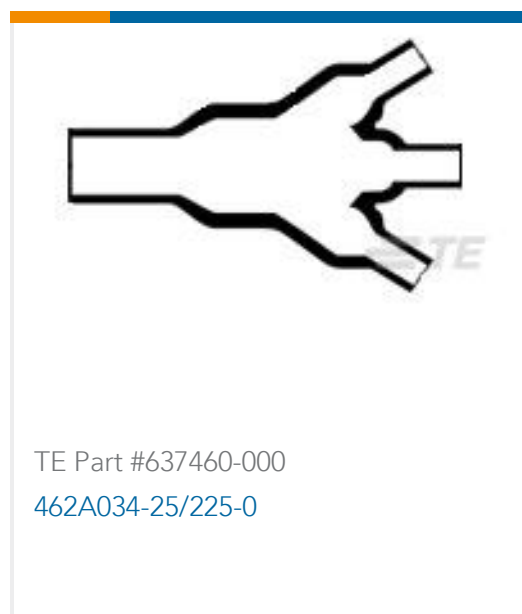


Connector Seals & Cavity Plugs(8)



Insertion & Extraction Tools(12)

Customers Also Bought



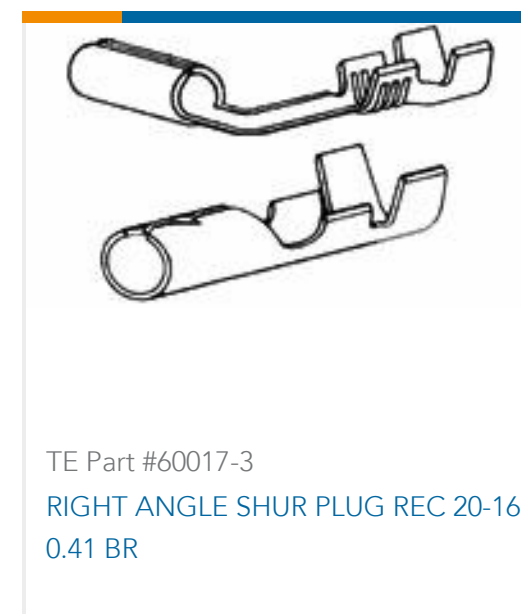
TE Part #637460-000
462A034-25/225-0



TE Part #327732
TERMINAL,SOLIS R 16-14HD 3/8



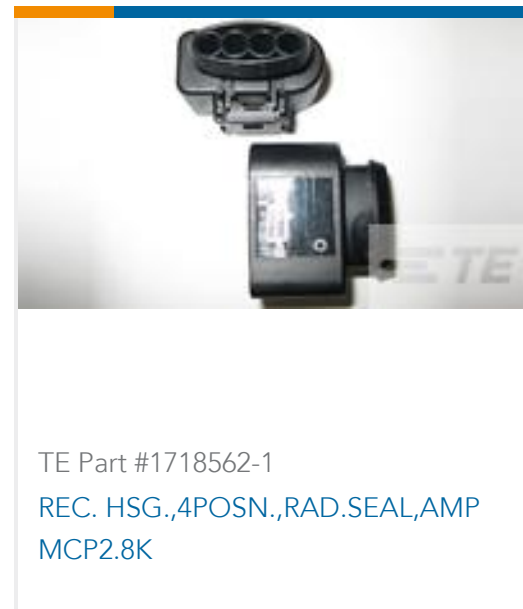
TE Part #61863-2
RING CRIMP 18-14 AWG TPBR



TE Part #60017-3
RIGHT ANGLE SHUR PLUG REC 20-16
0.41 BR



TE Part #HD36-24-35PN
PLG, 35P, AL, N, 16/20, P



TE Part #1718562-1
REC. HSG.,4POSN.,RAD.SEAL,AMP
MCP2.8K



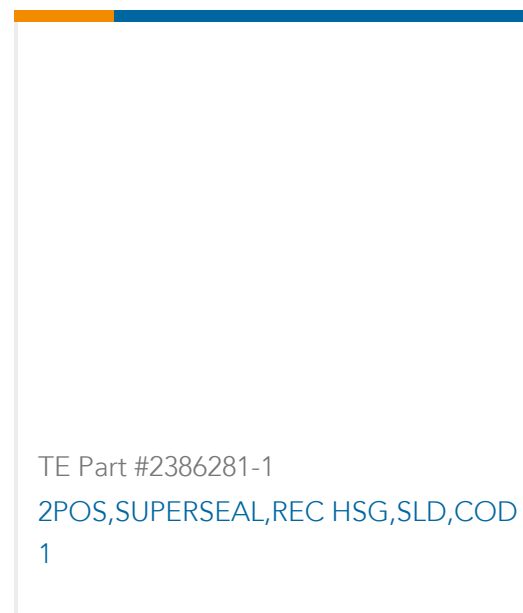
TE Part #2050036-1
64P ECU PLUG CONNECTOR



TE Part #8-1618388-3
LEV200AKANA=RELAY, SPST-NO



TE Part #2-1579018-4
EXTRACTION TOOL, 2WAY 8NG1
HOUSING



TE Part #2386281-1
2POS,SUPERSEAL,REC HSG,SLD,COD
1

Documents

Product Drawings

LANGUETTE 8MM NG1

English

CAD Files

Customer View Model

[ENG_CVM_1544333-1_C.3d_igs.zip](#)

English

Customer View Model

[ENG_CVM_1544333-1_C.3d_stp.zip](#)

English

Customer View Model

[ENG_CVM_1544333-1_C.2d_dxf.zip](#)

English

3D PDF

English

By downloading the CAD file I accept and agree to the [Terms and Conditions](#) of use.

Product Specifications



Application Specification

English