



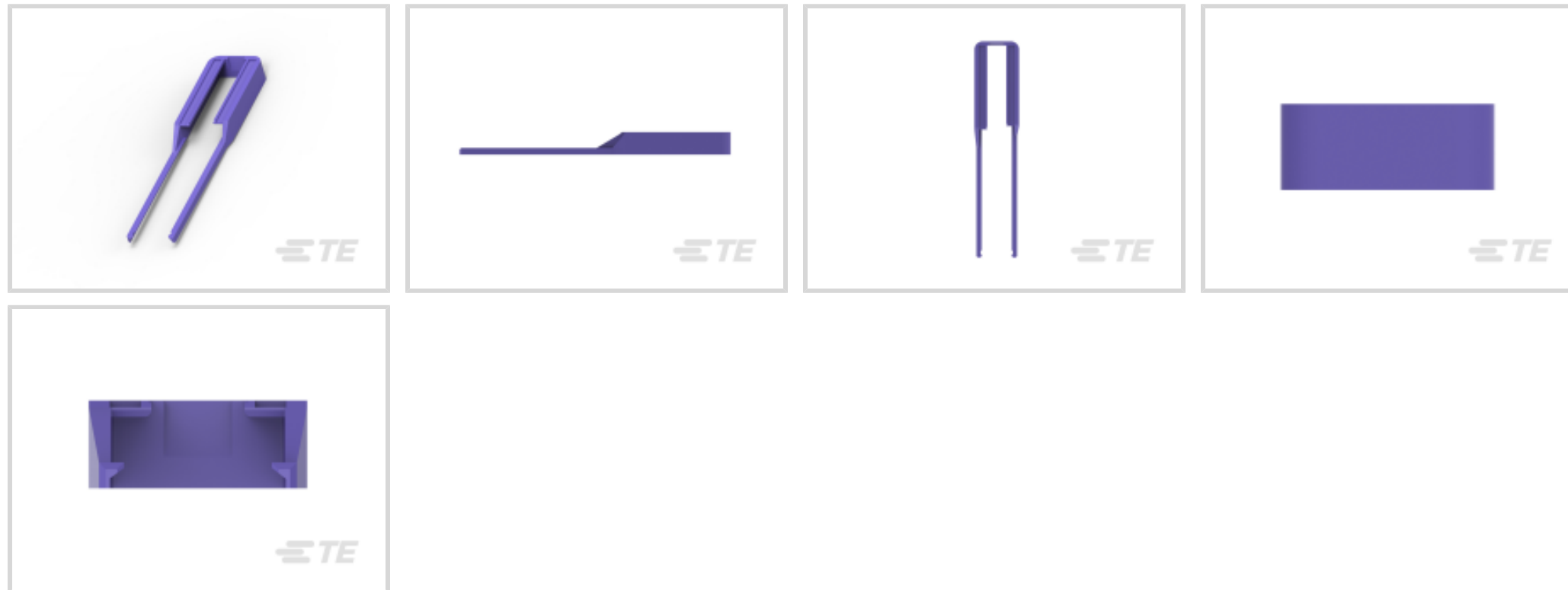
**MQS**

TE Internal #: 1534358-1

Automotive Connector Locks & Position Assurance, Retainer, Violet, PBT GF, -40 – 120 °C [-40 – 248 °F], MQS

[View on TE.com >](#)

Connectors > Automotive Connectors > Automotive Connector Accessories > Automotive Connector Locks & Position Assurance



Connector & Contact Retention Accessory Type: **Retainer**

Primary Product Color: **Violet**

Primary Product Material: **PBT GF**

Operating Temperature Range: **-40 – 120 °C [-40 – 248 °F]**

**Features**

**Product Type Features**

Connector & Contact Retention Accessory Type	Retainer
--	----------

**Body Features**

Primary Product Color	Violet
Primary Product Material	PBT GF

**Usage Conditions**

Operating Temperature Range	-40 – 120 °C[-40 – 248 °F]
-----------------------------	----------------------------

**Industry Standards**

UL Flammability Rating	UL 94HB
------------------------	---------

**Other**

Serviceable	No
-------------	----

**Product Compliance**

[For compliance documentation, visit the product page on TE.com>](#)

EU RoHS Directive 2011/65/EU	Compliant
EU ELV Directive 2000/53/EC	Compliant



China RoHS 2 Directive MIIT Order No 32, 2016	No Restricted Materials Above Threshold
EU REACH Regulation (EC) No. 1907/2006	Current ECHA Candidate List: JUNE 2023 (235) Candidate List Declared Against: JUNE 2023 (235) Does not contain REACH SVHC
Halogen Content	Low Halogen - Br, Cl, F, I < 900 ppm per homogenous material. Also BFR/CFR/PVC Free
Solder Process Capability	Not applicable for solder process capability

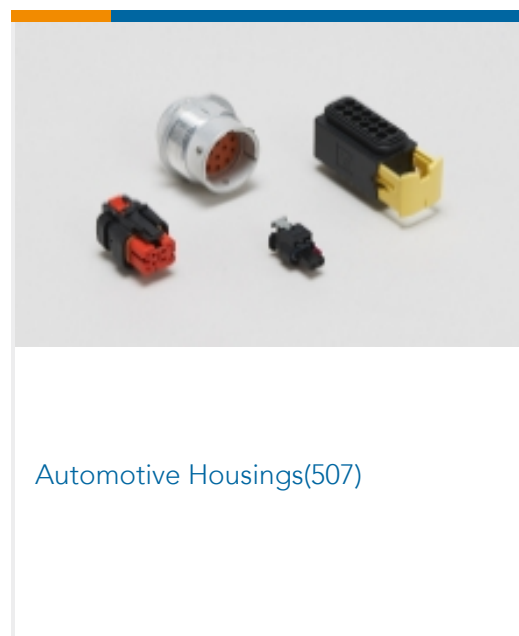
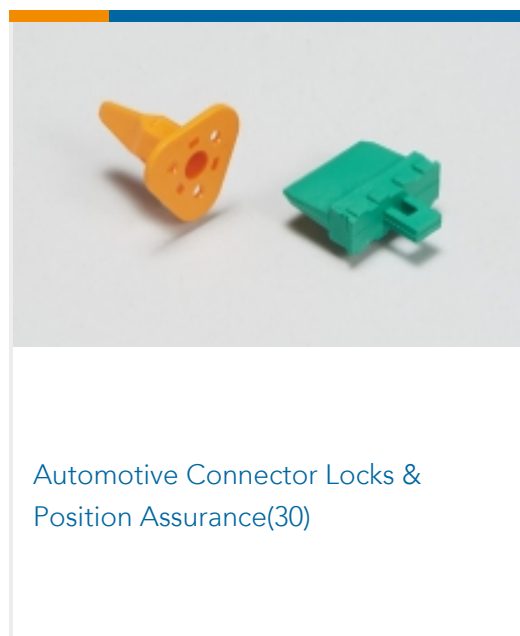
Product Compliance Disclaimer

This information is provided based on reasonable inquiry of our suppliers and represents our current actual knowledge based on the information they provided. This information is subject to change. The part numbers that TE has identified as EU RoHS compliant have a maximum concentration of 0.1% by weight in homogenous materials for lead, hexavalent chromium, mercury, PBB, PBDE, DBP, BBP, DEHP, DIBP, and 0.01% for cadmium, or qualify for an exemption to these limits as defined in the Annexes of Directive 2011/65/EU (RoHS2). Finished electrical and electronic equipment products will be CE marked as required by Directive 2011/65/EU. Components may not be CE marked. Additionally, the part numbers that TE has identified as EU ELV compliant have a maximum concentration of 0.1% by weight in homogenous materials for lead, hexavalent chromium, and mercury, and 0.01% for cadmium, or qualify for an exemption to these limits as defined in the Annexes of Directive 2000/53/EC (ELV). Regarding the REACH Regulation, the information TE provides on SVHC in articles for this part number is based on the latest European Chemicals Agency (ECHA) 'Guidance on requirements for substances in articles' posted at this URL: <https://echa.europa.eu/guidance-documents/guidance-on-reach>

## Compatible Parts



## Also in the Series | MQS





Automotive Terminals(104)



Connector Seals & Cavity Plugs(27)



Insertion & Extraction Tools(42)

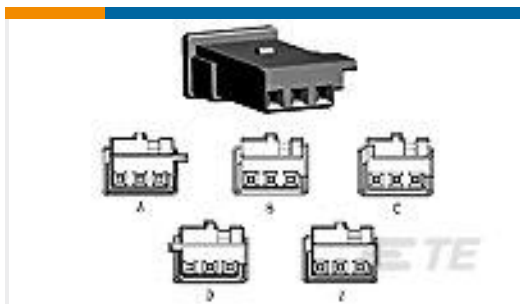


Other Automotive Connector Accessories(14)



PCB Headers & Receptacles(213)

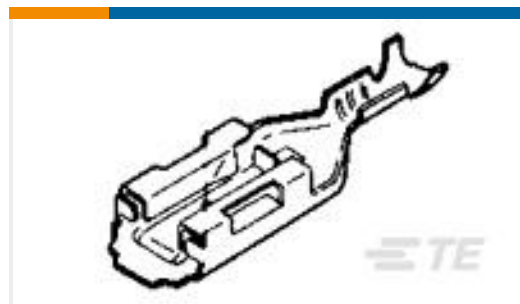
## Customers Also Bought



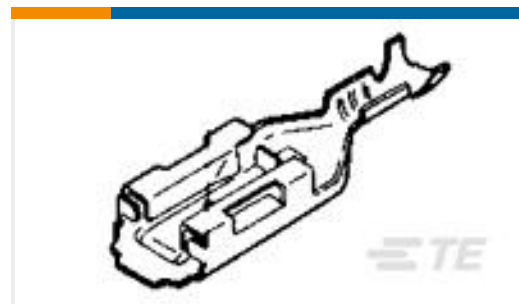
TE Part #1-1718346-1  
3POS MQS REC COD A



TE Part #1-1718645-1  
4POS, MCON 1.2 LL REC SEALED



TE Part #170452-2  
PL 250 AUTOMOTIVE REC 22-20 AWG  
PRE TPBR



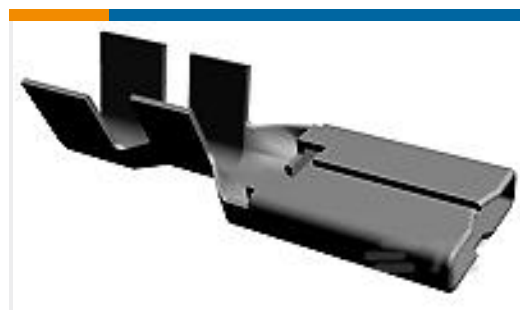
TE Part #170454-2  
PL 250 AM REC 18-14 0.40 X 21 PRE-  
TPBR



TE Part #7-1452665-1  
MCON 1.2 LL REC SWS SN



TE Part #1-1452920-1  
COVER ASSY FOR 30 POS EPB CONN



TE Part #1544227-1  
CLIP 8 MM NG1-1 PO



TE Part #1827120-1  
SQUIB LOCKING BUTTON



TE Part #1544650-1  
PC 2V 8NG1 NOIR JT



TE Part #85069-2  
250 P.LOCK REC

## Documents



## Product Drawings

### RETAINER

English

---

## CAD Files

Customer View Model

[ENG\\_CVM\\_CVM\\_1534358-1\\_A.2d\\_dxf.zip](#)

English

### 3D PDF

3D

Customer View Model

[ENG\\_CVM\\_CVM\\_1534358-1\\_A.3d\\_igs.zip](#)

English

Customer View Model

[ENG\\_CVM\\_CVM\\_1534358-1\\_A.3d\\_stp.zip](#)

English

By downloading the CAD file I accept and agree to the [Terms and Conditions](#) of use.

---

## Product Specifications

### Application Specification

English