

1534222-2 ✓ ACTIVE

AMP | MQS

TE Internal #: 1534222-2

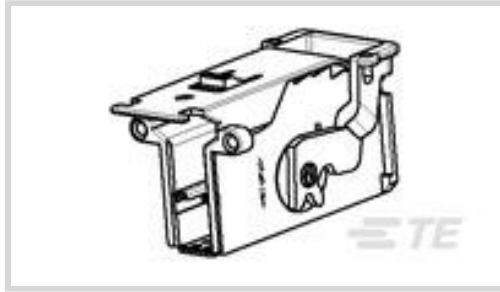
Automotive Connector Caps & Covers, Cover Assembly, Blue, PBT

GF, 32 Position, MQS

[View on TE.com >](#)



Connectors > Automotive Connectors > Automotive Connector Accessories > Automotive Connector Caps & Covers



Protection & Strain Relief Accessory Type: **Cover Assembly**

Strain Relief: **With**

Primary Product Color: **Blue**

Primary Product Material: **PBT GF**

Number of Positions: **32**

Features

Product Type Features

Protection & Strain Relief Accessory Type	Cover Assembly
---	----------------

Configuration Features

Number of Positions	32
---------------------	----

Body Features

Primary Product Color	Blue
-----------------------	------

Primary Product Material	PBT GF
--------------------------	--------

Mechanical Attachment

Strain Relief	With
---------------	------

Packaging Features

Packaging Quantity	1000
--------------------	------

Packaging Method	Package
------------------	---------

Product Compliance

[For compliance documentation, visit the product page on TE.com>](#)

EU RoHS Directive 2011/65/EU	Compliant
------------------------------	-----------

EU ELV Directive 2000/53/EC	Compliant
-----------------------------	-----------

China RoHS 2 Directive MIIT Order No 32, 2016	No Restricted Materials Above Threshold
---	---

EU REACH Regulation (EC) No. 1907/2006	Current ECHA Candidate List: JUNE 2023 (235)
--	--



Candidate List Declared Against: JUNE 2023 (235)

Does not contain REACH SVHC

Halogen Content

Low Halogen - Br, Cl, F, I < 900 ppm per homogenous material. Also BFR/CFR/PVC Free

Solder Process Capability

Not applicable for solder process capability

Product Compliance Disclaimer

This information is provided based on reasonable inquiry of our suppliers and represents our current actual knowledge based on the information they provided. This information is subject to change. The part numbers that TE has identified as EU RoHS compliant have a maximum concentration of 0.1% by weight in homogenous materials for lead, hexavalent chromium, mercury, PBB, PBDE, DBP, BBP, DEHP, DIBP, and 0.01% for cadmium, or qualify for an exemption to these limits as defined in the Annexes of Directive 2011/65/EU (RoHS2). Finished electrical and electronic equipment products will be CE marked as required by Directive 2011/65/EU. Components may not be CE marked. Additionally, the part numbers that TE has identified as EU ELV compliant have a maximum concentration of 0.1% by weight in homogenous materials for lead, hexavalent chromium, and mercury, and 0.01% for cadmium, or qualify for an exemption to these limits as defined in the Annexes of Directive 2000/53/EC (ELV). Regarding the REACH Regulation, the information TE provides on SVHC in articles for this part number is based on the latest European Chemicals Agency (ECHA) 'Guidance on requirements for substances in articles' posted at this URL: <https://echa.europa.eu/guidance-documents/guidance-on-reach>


Compatible Parts



TE Part # 1420000-1
32POS MQS REC



TE Part # 1420001-1
MQS VERSCHL.PLATTE



TE Part # 1534223-2
MQS COVER 2X16POS

Also in the Series | MQS




Automotive Connector Caps & Covers (138)



Automotive Connector EMC Shielding (3)



Automotive Connector Locks & Position Assurance(30)



Automotive Housings(507)



Automotive Terminals(104)



Connector Seals & Cavity Plugs(27)



Insertion & Extraction Tools(42)



Other Automotive Connector Accessories(14)



PCB Headers & Receptacles(214)

Customers Also Bought



TE Part #963121-1
Timer Connector Housing



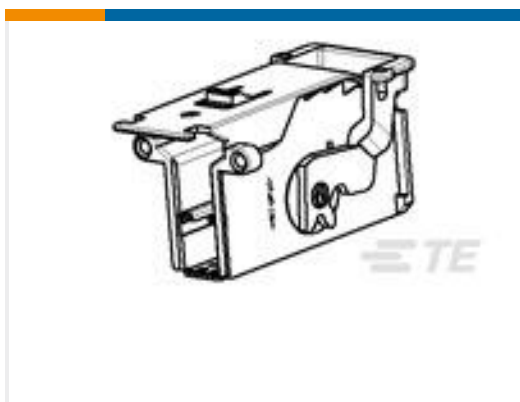
TE Part #1420000-1
32POS MQS REC



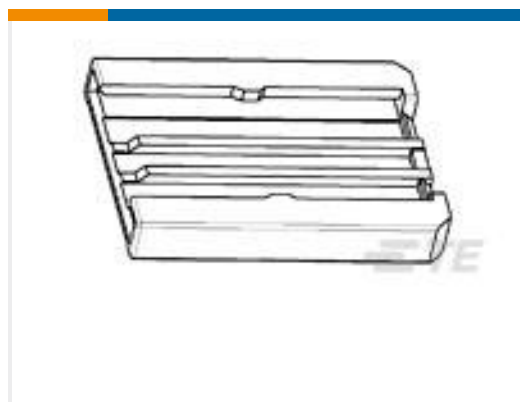
TE Part #929092-1
MCP2,8 GEH ASSY2X8P



TE Part #520971-4
ULTRA-POD 250 ASY REC 18-14 AWG TPBR



TE Part #1534222-1
MQS COVER 2X16P



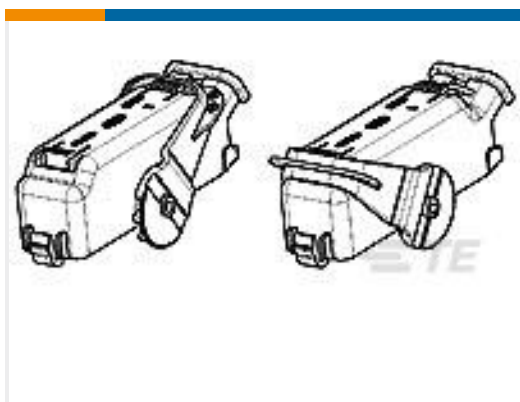
TE Part #1420001-1
MQS VERSCHL.PLATTE



TE Part #CH03466001
QSZH-125-NR1-40MM



TE Part #5068094006
CGPT-12.7/6.4-2-SP



TE Part #1379209-2
26W COVER ASSEMBLY

Documents



Product Drawings

[MQS ABDECKKAPP2X16P](#)

English

CAD Files

Customer View Model

[ENG_CVM_CVM_1534222-2_C.2d_dxf.zip](#)

English

3D PDF

3D

Customer View Model

[ENG_CVM_CVM_1534222-2_C.3d_igs.zip](#)

English

Customer View Model

[ENG_CVM_CVM_1534222-2_C.3d_stp.zip](#)

English

By downloading the CAD file I accept and agree to the [Terms and Conditions](#) of use.

Product Specifications

[Application Specification](#)

English