

1534149-1 ✓ ACTIVE

AMP | MQS

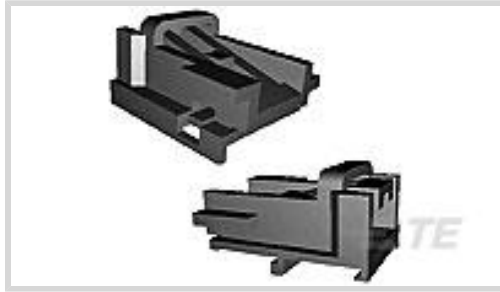
TE Internal #: 1534149-1

Automotive Connector Locks & Position Assurance, Retainer, Black,
PBT GF, -40 – 120 °C [-40 – 248 °F], MQS

[View on TE.com >](#)



Connectors > Automotive Connectors > Automotive Connector Accessories > Automotive Connector Locks & Position Assurance



Connector & Contact Retention Accessory Type: **Retainer**

Primary Product Color: **Black**

Primary Product Material: **PBT GF**

Operating Temperature Range: **-40 – 120 °C [-40 – 248 °F]**

Features

Product Type Features

Connector & Contact Retention Accessory Type	Retainer
--	----------

Body Features

Primary Product Color	Black
Primary Product Material	PBT GF

Usage Conditions

Operating Temperature Range	-40 – 120 °C[-40 – 248 °F]
-----------------------------	----------------------------

Industry Standards

UL Flammability Rating	UL 94HB
------------------------	---------

Packaging Features

Packaging Quantity	5000
Packaging Method	Carton

Other

Serviceable	Yes
-------------	-----

Product Compliance

[For compliance documentation, visit the product page on TE.com>](#)

EU RoHS Directive 2011/65/EU	Compliant
EU ELV Directive 2000/53/EC	Compliant
China RoHS 2 Directive MIIT Order No 32, 2016	No Restricted Materials Above Threshold



EU REACH Regulation (EC) No. 1907/2006

Current ECHA Candidate List: JUNE 2023 (235)

Candidate List Declared Against: JUNE 2023 (235)

Does not contain REACH SVHC

Halogen Content

Low Halogen - Br, Cl, F, I < 900 ppm per homogenous material. Also BFR/CFR/PVC Free

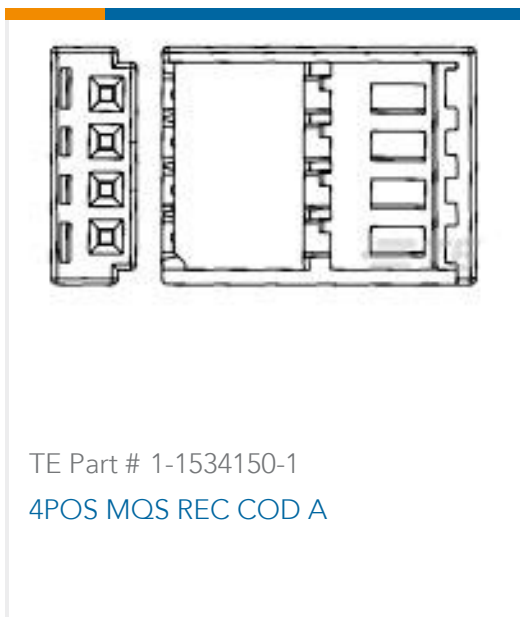
Solder Process Capability

Not applicable for solder process capability

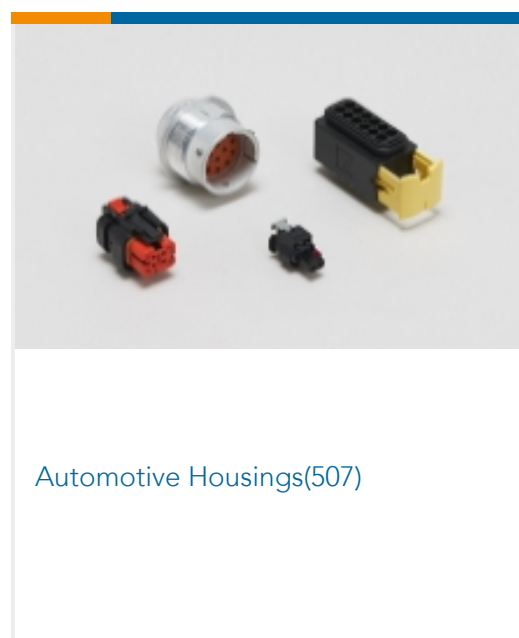
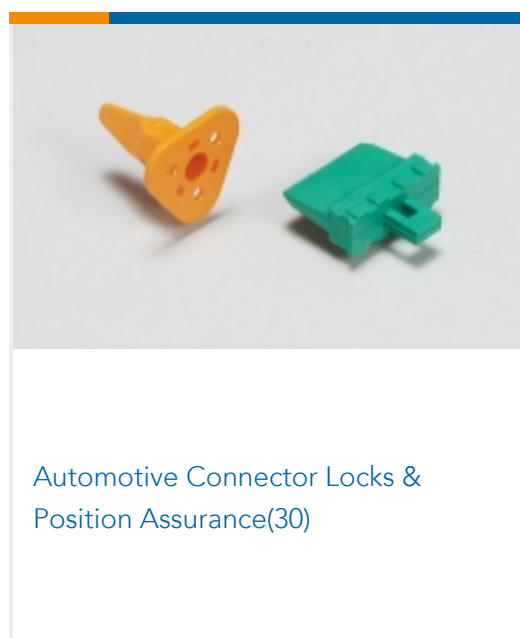
Product Compliance Disclaimer

This information is provided based on reasonable inquiry of our suppliers and represents our current actual knowledge based on the information they provided. This information is subject to change. The part numbers that TE has identified as EU RoHS compliant have a maximum concentration of 0.1% by weight in homogenous materials for lead, hexavalent chromium, mercury, PBB, PBDE, DBP, BBP, DEHP, DIBP, and 0.01% for cadmium, or qualify for an exemption to these limits as defined in the Annexes of Directive 2011/65/EU (RoHS2). Finished electrical and electronic equipment products will be CE marked as required by Directive 2011/65/EU. Components may not be CE marked. Additionally, the part numbers that TE has identified as EU ELV compliant have a maximum concentration of 0.1% by weight in homogenous materials for lead, hexavalent chromium, and mercury, and 0.01% for cadmium, or qualify for an exemption to these limits as defined in the Annexes of Directive 2000/53/EC (ELV). Regarding the REACH Regulation, the information TE provides on SVHC in articles for this part number is based on the latest European Chemicals Agency (ECHA) 'Guidance on requirements for substances in articles' posted at this URL: <https://echa.europa.eu/guidance-documents/guidance-on-reach>

Compatible Parts



Also in the Series | MQS





Automotive Terminals(104)



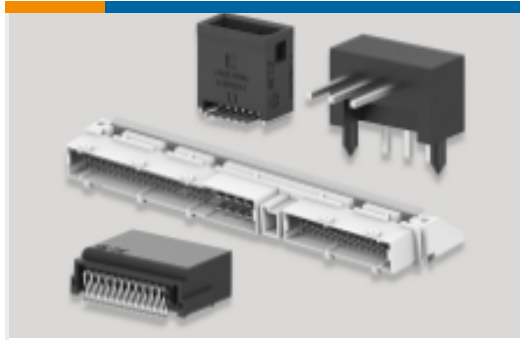
Connector Seals & Cavity Plugs(27)



Insertion & Extraction Tools(42)



Other Automotive Connector Accessories(14)



PCB Headers & Receptacles(213)

Customers Also Bought



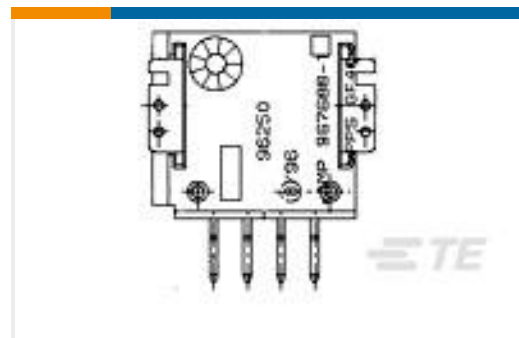
TE Part #1-1534097-1
MQS COVER 2X8P



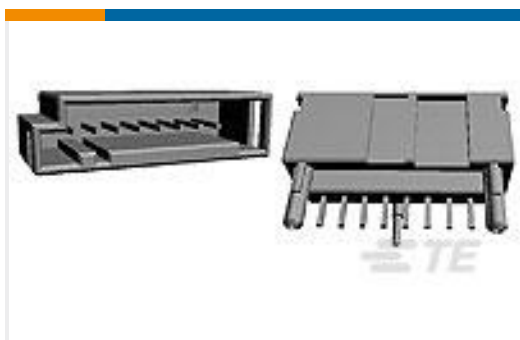
TE Part #1-1670917-1
3POS, MCON 1.2 LL REC SEALED



TE Part #160928-4
FF 250 REC 0.5-1.0MM2 TPPB



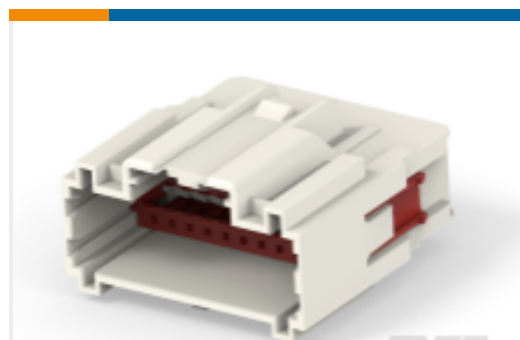
TE Part #967688-1
4pos MQS .63 header 90deg SMD



TE Part #1743386-1
MQS HDR 8P ASSY(V-TYPE/A)



TE Part #1-2355507-1
3POS,MCON 1.2,REC HSG ASSY,SLD, COD A



TE Part #2-2208018-2
22POS,0.64 MALE GEN. Y,PIN HSG, ASSY



TE Part #2209521-1
46POS. COVER ASSY



TE Part #928522-1
9P CI12 PIN HSG MATE 928523

Documents



Product Drawings

MQS RETAINER ,BLACK

English

CAD Files

3D PDF

English

Customer View Model

[ENG_CVM_1534149-1_A2.2d_dxf.zip](#)

English

Customer View Model

[ENG_CVM_1534149-1_A2.3d_igs.zip](#)

English

Customer View Model

[ENG_CVM_1534149-1_A2.3d_stp.zip](#)

English

By downloading the CAD file I accept and agree to the [Terms and Conditions](#) of use.

Product Specifications

Product Specification

English