

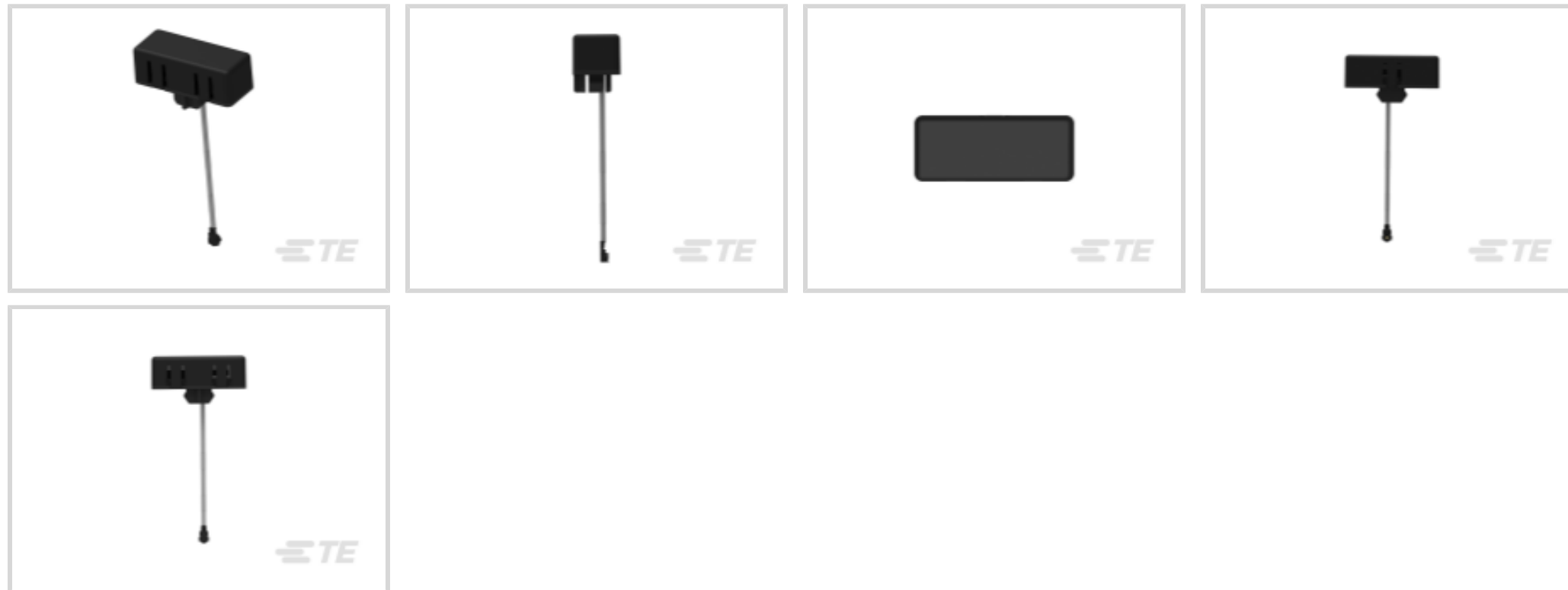


TE Internal #: 1513472-5

Stamped Metal Antenna, Dual Band, Wi-Fi / Bluetooth, External Mount, Snap-In, MHF / U.FL / MHF1, Omnidirectional, Single Port, Gain 3 < 6 dBi

[View on TE.com >](#)

Antennas



Wireless Application: **Bluetooth, Wi-Fi, Zigbee**

Mounting Location: **External**

Mounting Type: **Snap-In**

Antenna Termination: **MHF, MHF1, U.FL, UMCC**

Antenna Type: **Stamped Metal**

Features

Product Type Features

Antenna Termination	MHF, MHF1, U.FL, UMCC
---------------------	-----------------------

Configuration Features

Antenna Style	Stamped
Mounting Location	External
Antenna Type	Stamped Metal
Band Type	Dual Band
Port Configuration	Single Port

Electrical Characteristics

Antenna Operation	Passive
VSWR (Max)	<3:1
Impedance	50 Ω

Signal Characteristics

Gain (Max)	3 dB
Frequency Band	2480 – 2620 MHz, 5500 – 6200 MHz



Nominal Frequency Range	2400 – 5950
-------------------------	-------------

Peak Gain	3 < 6 dBi
-----------	-----------

Body Features

Product Weight	4 g[.141 oz]
----------------	--------------

Mechanical Attachment

Polarization	Linear
--------------	--------

Mounting Type	Snap-In
---------------	---------

Dimensions

Cable Length	.36 m[1.18 ft]
--------------	----------------

Product Width	12 mm[.472 in]
---------------	----------------

Product Length	29 mm[1.14 in]
----------------	----------------

Product Height	10 mm[.394 in]
----------------	----------------

Operation/Application

Antenna Environment	Indoor
---------------------	--------

Wireless Standard	802.11 a/b/g/n, Bluetooth & ZigBee
-------------------	------------------------------------

Directionality	Omnidirectional
----------------	-----------------

Industry Standards

Wireless Application	Bluetooth, Wi-Fi, Zigbee
----------------------	--------------------------

Primary Application	Bluetooth, Wi-Fi
---------------------	------------------

Product Availability

Applicable Region	Global
-------------------	--------

Packaging Features

Packaging Method	Bag & Box
------------------	-----------

Other

Precision Level	Standard
-----------------	----------

Product Compliance

[For compliance documentation, visit the product page on TE.com>](#)

EU RoHS Directive 2011/65/EU	Compliant
------------------------------	-----------

EU ELV Directive 2000/53/EC	Compliant
-----------------------------	-----------

China RoHS 2 Directive MIIT Order No 32, 2016	No Restricted Materials Above Threshold
---	---

EU REACH Regulation (EC) No. 1907/2006	
--	--



Current ECHA Candidate List: JUNE 2023 (235)

Candidate List Declared Against: JUNE 2023 (235)

SVHC > Threshold:

TBBPA (17% in Component Part)

Article Safe Usage Statements:

Do not eat, drink or smoke when using this product. Wash thoroughly after handling. Recycle if possible and dispose of the article by following all applicable governmental regulations relevant to your geographic location.

Halogen Content

Not Low Halogen - contains Br or Cl > 900 ppm.

Solder Process Capability

Not applicable for solder process capability

Product Compliance Disclaimer

This information is provided based on reasonable inquiry of our suppliers and represents our current actual knowledge based on the information they provided. This information is subject to change. The part numbers that TE has identified as EU RoHS compliant have a maximum concentration of 0.1% by weight in homogenous materials for lead, hexavalent chromium, mercury, PBB, PBDE, DBP, BBP, DEHP, DIBP, and 0.01% for cadmium, or qualify for an exemption to these limits as defined in the Annexes of Directive 2011/65/EU (RoHS2). Finished electrical and electronic equipment products will be CE marked as required by Directive 2011/65/EU. Components may not be CE marked. Additionally, the part numbers that TE has identified as EU ELV compliant have a maximum concentration of 0.1% by weight in homogenous materials for lead, hexavalent chromium, and mercury, and 0.01% for cadmium, or qualify for an exemption to these limits as defined in the Annexes of Directive 2000/53/EC (ELV). Regarding the REACH Regulation, the information TE provides on SVHC in articles for this part number is based on the latest European Chemicals Agency (ECHA) 'Guidance on requirements for substances in articles' posted at this URL: <https://echa.europa.eu/guidance-documents/guidance-on-reach>

Compatible Parts



TE Part # 2337019-1
UMCC Micro-Coax receptacle, Gen 1

Customers Also Bought



TE Part #1473149-4
SEMI-HARD TRAY ASSY DDR2 SODIMM 5.2H ST



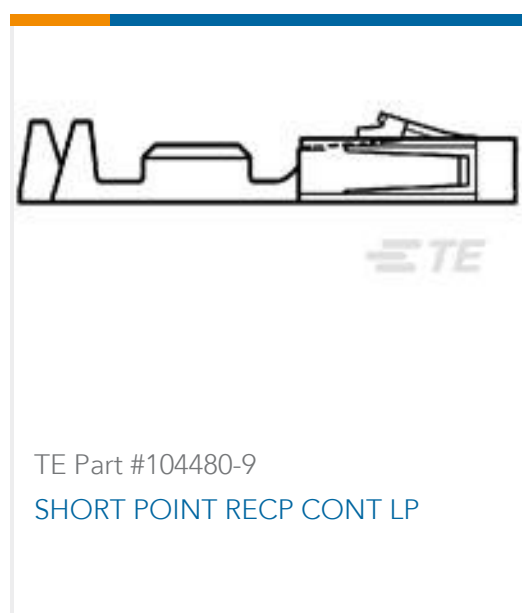
TE Part #1-2176071-2
3521 390K 1% 2W



TE Part #5-103168-4
12 MODII HDR DRST SHRD .100CL



TE Part #641965-1
03P UMNL PIN HDR ASSY V2 NATL



Documents

Product Drawings

[UAM Assembly 360mm cable](#)

English

CAD Files

[3D PDF](#)

3D

Customer View Model

[ENG_CVM_CVM_1513472-5_G.2d_dxf.zip](#)

English

Customer View Model

[ENG_CVM_CVM_1513472-5_G.3d_igs.zip](#)

English

Customer View Model

[ENG_CVM_CVM_1513472-5_G.3d_stp.zip](#)

English

By downloading the CAD file I accept and agree to the [Terms and Conditions](#) of use.

Datasheets & Catalog Pages

[UAM Antenna](#)

English

Product Specifications

[Product Specification](#)

English

Product Environmental Compliance

[MD_1513472-5_05202016120_dmtec](#)

1513472-5

Stamped Metal Antenna, Dual Band, Wi-Fi / Bluetooth, External Mount, Snap-In,
MHF / U.FL / MHF1, Omnidirectional, Single Port, Gain 3 < 6 dBi



English

[MD_1513472-5_05202016120_dmtec](#)

English