

151325-1 ✓ ACTIVE

FASTIN-FASTON | FASTIN-FASTON 250

TE Internal #: 151325-1

Crimp Terminal Housings, Receptacle, Receptacle, 11 Position,
Straight, Natural, Nylon, Mating Alignment, FASTIN-FASTON 250

[View on TE.com >](#)



Terminals & Splices > Terminal Housings, Insulation Sleeves & Blocks > Crimp Terminal Housings



Terminal Type: **Receptacle**

Connector & Housing Type: **Receptacle**

Number of Positions: **11**

Terminal Orientation: **Straight**

Primary Product Color: **Natural**

Features

Product Type Features

Sealable	No
Connector & Housing Type	Receptacle

Configuration Features

Number of Positions	11
---------------------	----

Body Features

Primary Product Color	Natural
-----------------------	---------

Contact Features

Terminal Type	Receptacle
Terminal Orientation	Straight
Contact Mating Retention	Without

Mechanical Attachment

Mating Alignment	With
Connector Mounting Type	Cable Mount (Free-Hanging)

Housing Features



Housing Material	Nylon
Centerline (Pitch)	9.5 mm, 10.54 mm[.374 in][.414 in]

Dimensions

Product Length	29.6 mm[1.164 in]
----------------	-------------------

Usage Conditions

Operating Temperature Range	-40 – 105 °C[-40 – 221 °F]
-----------------------------	----------------------------

Packaging Features

Packaging Quantity	1000
Packaging Method	Carton

Product Compliance

[For compliance documentation, visit the product page on TE.com>](#)

EU RoHS Directive 2011/65/EU	Compliant
EU ELV Directive 2000/53/EC	Compliant
China RoHS 2 Directive MIIT Order No 32, 2016	No Restricted Materials Above Threshold
EU REACH Regulation (EC) No. 1907/2006	Current ECHA Candidate List: JUNE 2023 (235) Candidate List Declared Against: JUNE 2023 (235) Does not contain REACH SVHC
Halogen Content	Low Halogen - Br, Cl, F, I < 900 ppm per homogenous material. Also BFR/CFR/PVC Free
Solder Process Capability	Not applicable for solder process capability

Product Compliance Disclaimer

This information is provided based on reasonable inquiry of our suppliers and represents our current actual knowledge based on the information they provided. This information is subject to change. The part numbers that TE has identified as EU RoHS compliant have a maximum concentration of 0.1% by weight in homogenous materials for lead, hexavalent chromium, mercury, PBB, PBDE, DBP, BBP, DEHP, DIBP, and 0.01% for cadmium, or qualify for an exemption to these limits as defined in the Annexes of Directive 2011/65/EU (RoHS2). Finished electrical and electronic equipment products will be CE marked as required by Directive 2011/65/EU. Components may not be CE marked. Additionally, the part numbers that TE has identified as EU ELV compliant have a maximum concentration of 0.1% by weight in homogenous materials for lead, hexavalent chromium, and mercury, and 0.01% for cadmium, or qualify for an exemption to these limits as defined in the Annexes of Directive 2000/53/EC (ELV). Regarding the REACH Regulation, the information TE provides on SVHC in articles for this part number is based on the latest European Chemicals Agency (ECHA) 'Guidance on requirements for substances in articles' posted at this URL: <https://echa.europa.eu/guidance-documents/guidance-on-reach>

Compatible Parts




TE Part # 626213-1
FASTIN-ON 0.312 FLAG REC NYLON 6.6



TE Part # 170258-2
FF 250 REC 14-12AWG TPBR REREELING



TE Part # 170258-1
FF 250 REC 14-12AWG BR REREELING



TE Part # 1-626040-0
RELY BASE MOLDING 5W POLYPROPYLENE



TE Part # 1-172131-1
FF 250 CAP HSG 3P NYLON NAT



TE Part # 1982857-1
FASTON HOUSING



TE Part # 880097-1
2 WAY FASTIN ON HSG



TE Part # 880103-1
5 WAY FASTIN ON HSG

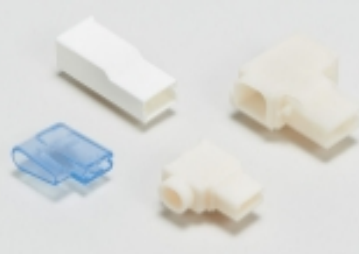


TE Part # 880107-2
HOUSING 8P .110 FASTON




TE Part # 880191-1
5W FASTIN-ON REC. H

Also in the Series | **FASTIN-FASTON 250**




Crimp Terminal Housings(211)



Insertion & Extraction Tools(2)



PCB Terminals(2)



Quick Disconnects(254)

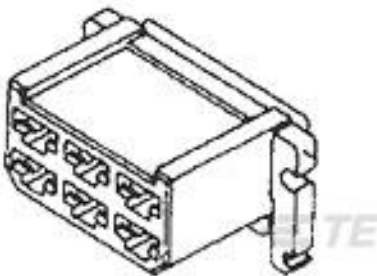
Customers Also Bought



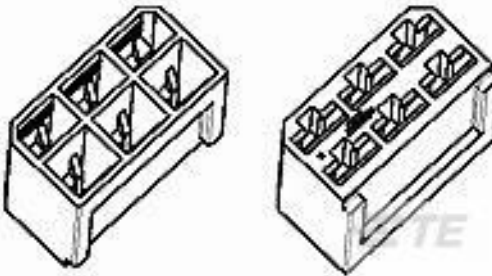
TE Part #HDP26-18-14PE-L017
PLG, 14P, BLK, E, RNG, 16, P



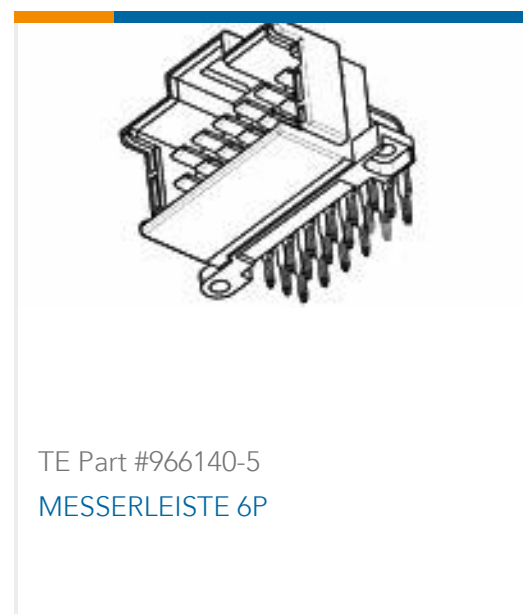
TE Part #1-1623728-6
BCHE 11 W 330R 5%



TE Part #180904
FF 250 REC HSG 6P NYLON NAT



TE Part #1-480281-0
FF 250 REC HSG 6P NYLON BLACK



Documents

Product Drawings

[FF 250 REC HSG 11P NYLON NAT](#)

English

CAD Files

[3D PDF](#)

3D

Customer View Model

[ENG_CVM_CVM_151325-1_G.2d_dxf.zip](#)

English

Customer View Model

[ENG_CVM_CVM_151325-1_G.3d_igs.zip](#)

English

Customer View Model

[ENG_CVM_CVM_151325-1_G.3d_stp.zip](#)

English

By downloading the CAD file I accept and agree to the [Terms and Conditions](#) of use.

Datasheets & Catalog Pages

[White Paper: Nylon Discoloration](#)

English

Product Specifications

[Application Specification](#)

English