

150656-1 ✓ ACTIVE



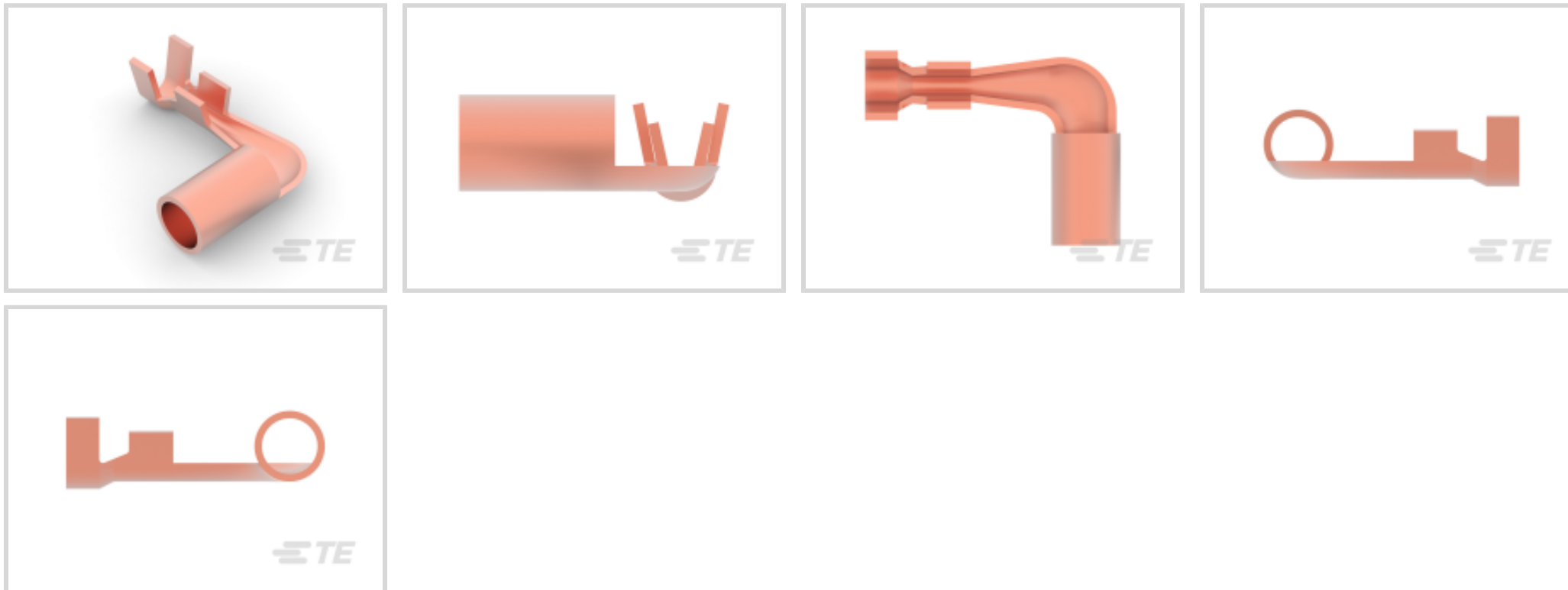
SHUR-PLUG 156

TE Internal #: 150656-1

Crimp Wire Pins, Tabs & Ferrules, Shur-Plug, Mating Pin Diameter
3.96 mm [.156 in], 20 – 16 AWG Wire Size, .5 – 1.3 mm² Wire Size,
SHUR-PLUG 156

[View on TE.com >](#)

Terminals & Splices > Crimp Wire Pins, Tabs & Ferrules



Crimp Wire Terminal Type: **Shur-Plug**

Mating Pin Diameter: **3.96 mm [.156 in]**

Compatible Insulation Diameter Range: **2.5 – 3.6 mm, 3.6 mm [.098 – .141 in, .141 in]**

Wire Size: **.5 – 1.3 mm²**

Features

Product Type Features

Compatible With Discrete Wire Type	Stranded
------------------------------------	----------

Configuration Features

Compatible With Wire & Cable Type	Discrete Wire
-----------------------------------	---------------

Contact Features

Crimp Wire Terminal Type	Shur-Plug
Mating Pin Diameter	3.96 mm [.156 in]
Barrel Type	Open
Terminal Plating Material	Unplated
Terminal Orientation	Flag

Mechanical Attachment

Wire Insulation Support	With
-------------------------	------

Dimensions

Compatible Insulation Diameter Range	2.5 – 3.6 mm, 3.6 mm [.098 – .141 in][.141 in]
Wire Size	1021 – 2582 CMA



Barrel Inside Diameter	1.14 mm, 3.08 mm[.045 in][.12 in]
Terminal Material Thickness	.51 mm[.02 in]
Overall Product Length	17.6 mm[.7 in]

Usage Conditions

Insulation Option	Uninsulated
-------------------	-------------

Packaging Features

Packaging Quantity	2000
Packaging Method	Reel

Product Compliance

[For compliance documentation, visit the product page on TE.com>](#)

EU RoHS Directive 2011/65/EU	Compliant
EU ELV Directive 2000/53/EC	Compliant
China RoHS 2 Directive MIIT Order No 32, 2016	No Restricted Materials Above Threshold
EU REACH Regulation (EC) No. 1907/2006	Current ECHA Candidate List: JUNE 2023 (235) Candidate List Declared Against: JUNE 2023 (235) Does not contain REACH SVHC
Halogen Content	Low Halogen - Br, Cl, F, I < 900 ppm per homogenous material. Also BFR/CFR/PVC Free
Solder Process Capability	Not applicable for solder process capability

Product Compliance Disclaimer

This information is provided based on reasonable inquiry of our suppliers and represents our current actual knowledge based on the information they provided. This information is subject to change. The part numbers that TE has identified as EU RoHS compliant have a maximum concentration of 0.1% by weight in homogenous materials for lead, hexavalent chromium, mercury, PBB, PBDE, DBP, BBP, DEHP, DIBP, and 0.01% for cadmium, or qualify for an exemption to these limits as defined in the Annexes of Directive 2011/65/EU (RoHS2). Finished electrical and electronic equipment products will be CE marked as required by Directive 2011/65/EU. Components may not be CE marked. Additionally, the part numbers that TE has identified as EU ELV compliant have a maximum concentration of 0.1% by weight in homogenous materials for lead, hexavalent chromium, and mercury, and 0.01% for cadmium, or qualify for an exemption to these limits as defined in the Annexes of Directive 2000/53/EC (ELV). Regarding the REACH Regulation, the information TE provides on SVHC in articles for this part number is based on the latest European Chemicals Agency (ECHA) 'Guidance on requirements for substances in articles' posted at this URL: <https://echa.europa.eu/guidance-documents/guidance-on-reach>

Compatible Parts




TE Part # 42745-2
PIN 090 FLAG RECEPTACLE 20-14 AWG TPPHBZ



TE Part # 140712-2
PIN .155 DIA REC 18-14 AWG TPBR



TE Part # 344469-2
ANGLE PIN RECEPTACLE 20-16 AWG PHBRZ



TE Part # 1217142-1
SHUR PLUG 180 12-8 AWG TPBR



TE Part # 154740-1
PIN .175 DIA REC 20-16AWG PB



TE Part # 1-150656-1
SHUR PLUG .156 DIA REC 20-16 AWG PB



TE Part # 60376-1
PIN 090 RECEPTACLE 20-14 AWG TPPHBZ



TE Part # 60733-1
PIN .090 RECEPTACLE TPPHBZ



TE Part # 140670
SHUR PLUG TIN PLATED AWG 14 18




TE Part # 154740-2
PIN .175 DIA REC 20-16AWG PB

Also in the Series | **SHUR-PLUG 156**



Crimp Wire Pins, Tabs & Ferrules(30)



Special Purpose Terminals(1)

Customers Also Bought



TE Part #328142
TERMINAL,AMPOWER 6 1/4



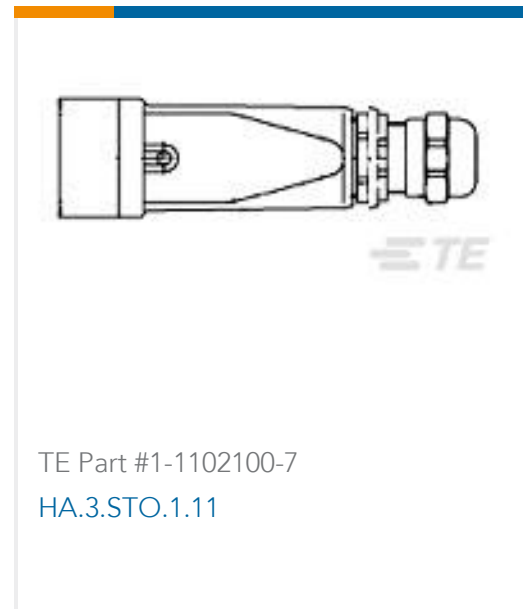
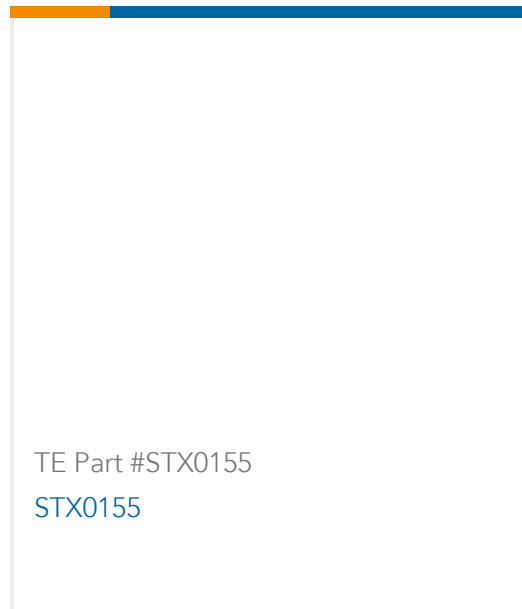
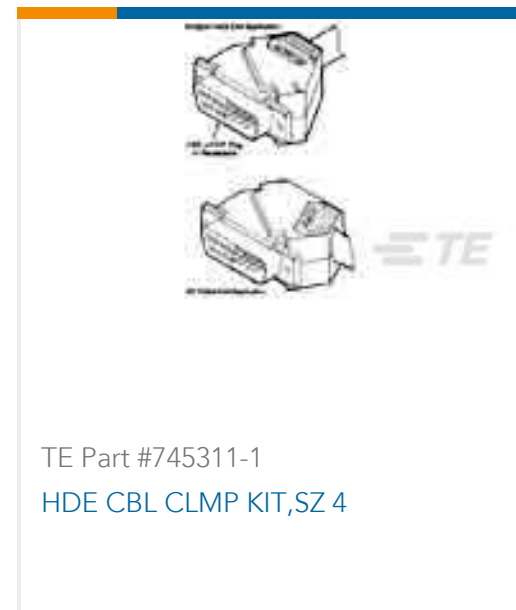
TE Part #3-1625999-4
HSC100 470R 5%



TE Part #DT06-08SB-CE01
PLG, 8P, BLK, E, CAP, B



TE Part #456799-000
55PC0811-12-9CS2502



Documents

Product Drawings

[SHUR PLUG .156 DIA REC 20-16 AWG PB](#)

English

CAD Files

[3D PDF](#)

3D

Customer View Model

[ENG_CVM_CVM_150656-1_N.2d_dxf.zip](#)

English

Customer View Model

[ENG_CVM_CVM_150656-1_N.3d_igs.zip](#)

English

Customer View Model

[ENG_CVM_CVM_150656-1_N.3d_stp.zip](#)

English

By downloading the CAD file I accept and agree to the [Terms and Conditions](#) of use.

Product Specifications

[Product Specification](#)

English