

150072-1 ✓ ACTIVE



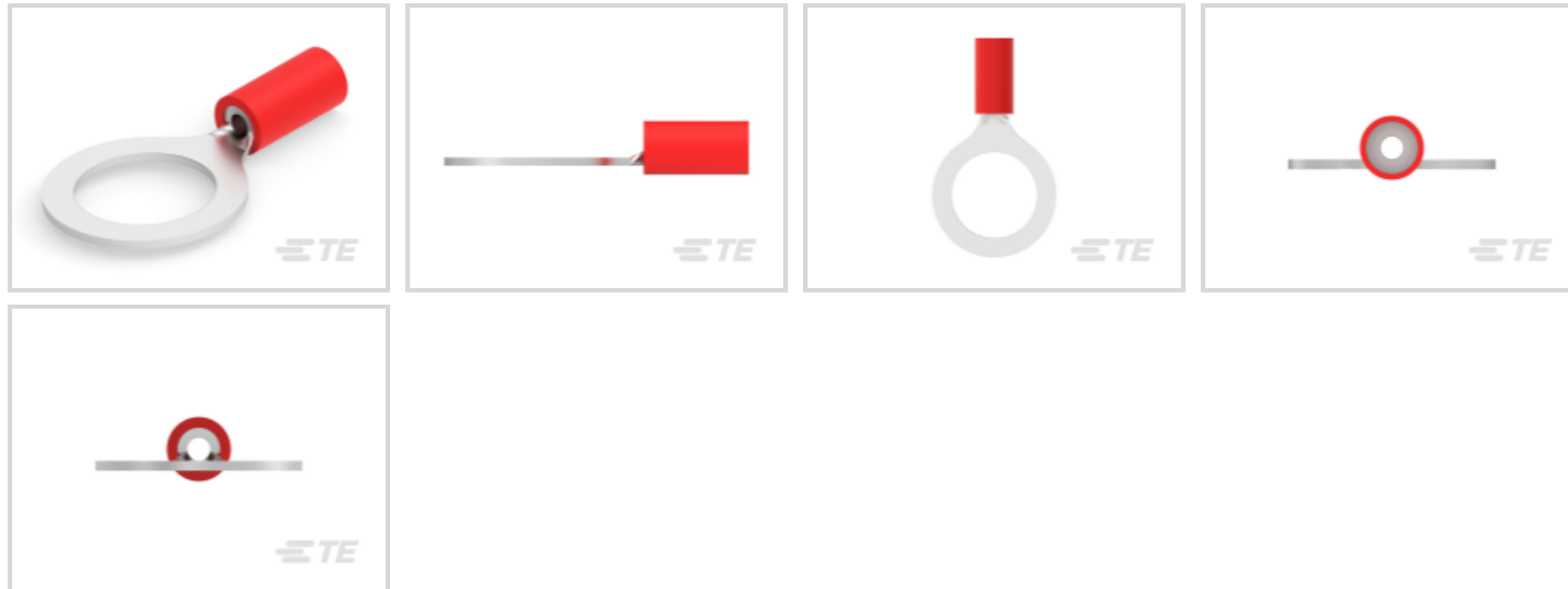
PIDG

TE Internal #: 150072-1

Closed Ring Tongue Terminal, 22 – 18 AWG, 7/16 Stud Size, 11.51 mm [.453 in] Stud Diameter, Closed Barrel, Straight, Tin, Partially Insulated, PIDG

[View on TE.com >](#)

Terminals & Splices > Ring Terminals



Ring Terminal Product Type: Closed Ring Tongue Terminal

Wire Size: 509 – 3260 CMA

Stud Size: 7/16

Features

Product Type Features

| | |
|--|-----------------------------|
| Ring Terminal Product Type | Closed Ring Tongue Terminal |
| Stud Size | 7/16 |
| Sealable | No |
| Wire Insulation Support Retention Type | Insulation Support |

Configuration Features

| | |
|-----------------|---|
| Number of Holes | 1 |
|-----------------|---|

Electrical Characteristics

| | |
|----------------|-------|
| Voltage Rating | 600 V |
|----------------|-------|

Body Features

| | |
|-------------------------|--------|
| Product Weight | 1.39 g |
| Insulation Sleeve Color | Red |
| Stripe Color | Red |

Contact Features

| | |
|----------------------|----------|
| Barrel Type | Closed |
| Terminal Orientation | Straight |



| | |
|---------------------------|-----|
| Terminal Plating Material | Tin |
|---------------------------|-----|

Mechanical Attachment

| | |
|-------------------------|------|
| Wire Insulation Support | With |
|-------------------------|------|

Dimensions

| | |
|-----------|----------------|
| Wire Size | 509 – 3260 CMA |
|-----------|----------------|

| | |
|---------------|--------------------|
| Stud Diameter | 11.51 mm [.453 in] |
|---------------|--------------------|

| | |
|------------------|------------------|
| Tongue Thickness | .79 mm [.031 in] |
|------------------|------------------|

| | |
|----------------|---------------------|
| Product Length | 29.77 mm [1.172 in] |
|----------------|---------------------|

| | |
|--------------------------------------|------------------|
| Compatible Insulation Diameter (Max) | 3.56 mm [.14 in] |
|--------------------------------------|------------------|

| | |
|--------------------------------------|--------------------------------|
| Compatible Insulation Diameter Range | 2.67 – 3.56 mm [.105 – .14 in] |
|--------------------------------------|--------------------------------|

Usage Conditions

| | |
|-------------------|---------------------|
| Insulation Option | Partially Insulated |
|-------------------|---------------------|

| | |
|-----------------------------|-----------------|
| Operating Temperature Range | 105 °C [221 °F] |
|-----------------------------|-----------------|

Operation/Application

| | |
|------------------------------------|--------|
| Compatible With Wire Base Material | Copper |
|------------------------------------|--------|

| | |
|---------------------------------------|-----|
| Compatible With Wire Plating Material | Tin |
|---------------------------------------|-----|

Industry Standards

| | |
|-------------------------------|----|
| Government Qualified Terminal | No |
|-------------------------------|----|

Packaging Features

| | |
|--------------------|------|
| Packaging Quantity | 1000 |
|--------------------|------|

| | |
|------------------|-------------|
| Packaging Method | Loose Piece |
|------------------|-------------|

Product Compliance

[For compliance documentation, visit the product page on TE.com>](#)

| | |
|------------------------------|-----------|
| EU RoHS Directive 2011/65/EU | Compliant |
|------------------------------|-----------|

| | |
|-----------------------------|-----------|
| EU ELV Directive 2000/53/EC | Compliant |
|-----------------------------|-----------|

| | |
|---|---|
| China RoHS 2 Directive MIIT Order No 32, 2016 | No Restricted Materials Above Threshold |
|---|---|

| | |
|--|---|
| EU REACH Regulation (EC) No. 1907/2006 | Current ECHA Candidate List: JUNE 2023 (235) Candidate List Declared Against: JUNE 2023 (235) Does not contain REACH SVHC |
|--|---|

| | |
|-----------------|--|
| Halogen Content | Low Halogen - Br, Cl, F, I < 900 ppm per homogenous material. Also BFR/CFR/PVC |
|-----------------|--|

Free

Solder Process Capability

Not applicable for solder process capability

Product Compliance Disclaimer

This information is provided based on reasonable inquiry of our suppliers and represents our current actual knowledge based on the information they provided. This information is subject to change. The part numbers that TE has identified as EU RoHS compliant have a maximum concentration of 0.1% by weight in homogenous materials for lead, hexavalent chromium, mercury, PBB, PBDE, DBP, BBP, DEHP, DIBP, and 0.01% for cadmium, or qualify for an exemption to these limits as defined in the Annexes of Directive 2011/65/EU (RoHS2). Finished electrical and electronic equipment products will be CE marked as required by Directive 2011/65/EU. Components may not be CE marked. Additionally, the part numbers that TE has identified as EU ELV compliant have a maximum concentration of 0.1% by weight in homogenous materials for lead, hexavalent chromium, and mercury, and 0.01% for cadmium, or qualify for an exemption to these limits as defined in the Annexes of Directive 2000/53/EC (ELV). Regarding the REACH Regulation, the information TE provides on SVHC in articles for this part number is based on the latest European Chemicals Agency (ECHA) 'Guidance on requirements for substances in articles' posted at this URL: <https://echa.europa.eu/guidance-documents/guidance-on-reach>

Compatible Parts



TE Part # 354940-1
PRO-CRIMPER III FRAME W/O DIES



TE Part # 59824-1
TETRA-CRIMP PIDG PG FASTON 22-10 ASSY



TE Part # 47386
DAHT PG PIDG 26-16 ASSY



TE Part # 59250
T-HEAD PIDG 26-14 ASSY



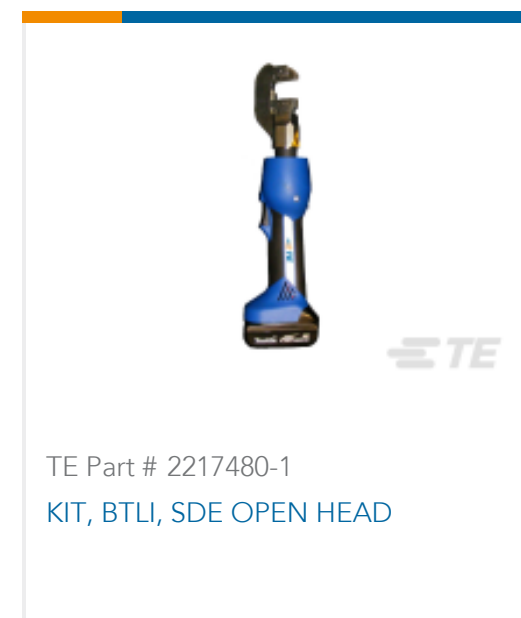
TE Part # 189721-1
HAND NON-LOGIC POWER UNIT



TE Part # 189722-1
FOOT NON-LOGIC POWER UNIT



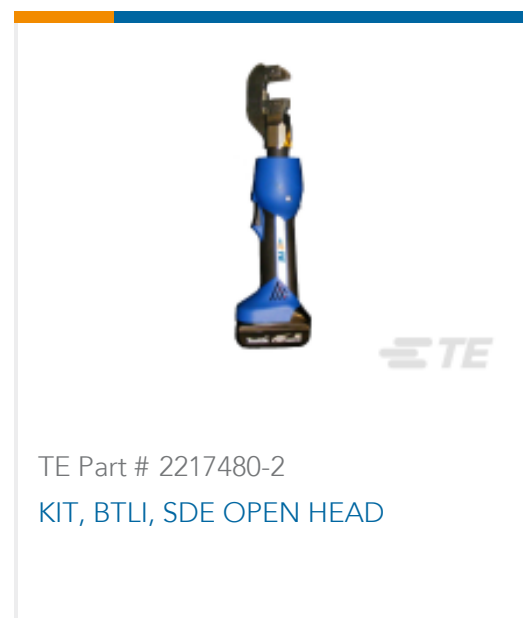
TE Part # 58433-3
PRO CR ASSY, RBY IS9252



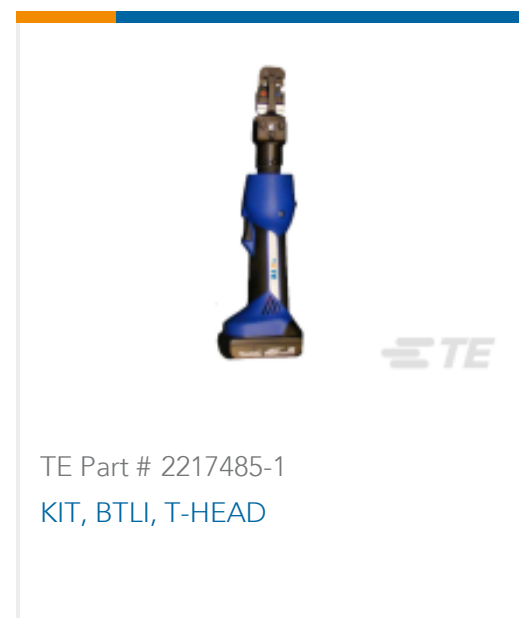
TE Part # 2217480-1
KIT, BTLI, SDE OPEN HEAD



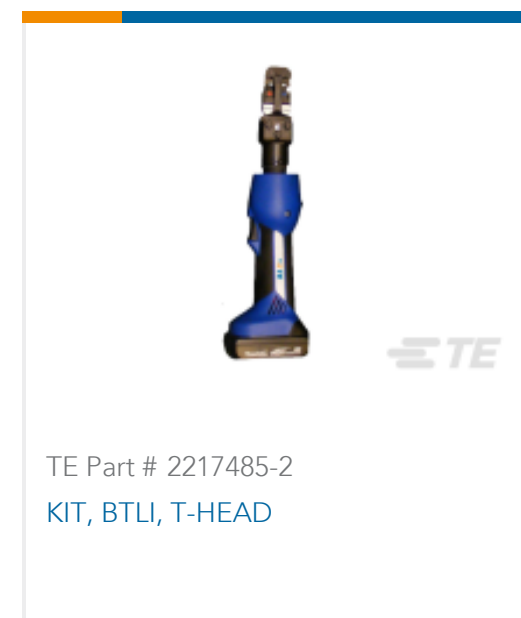
TE Part # 1901260-1
CCII 16MAX ASSY



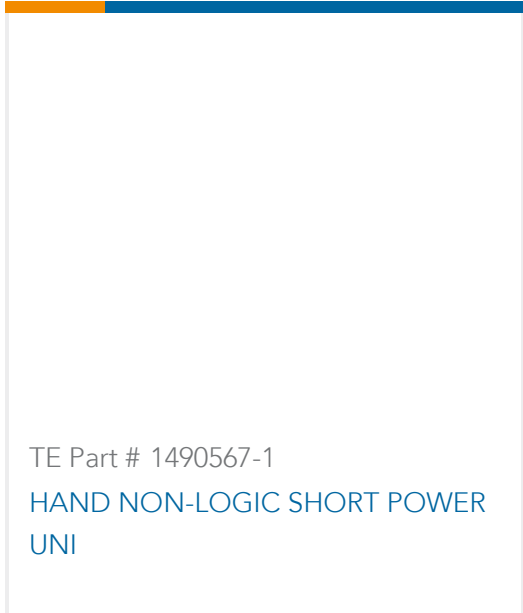
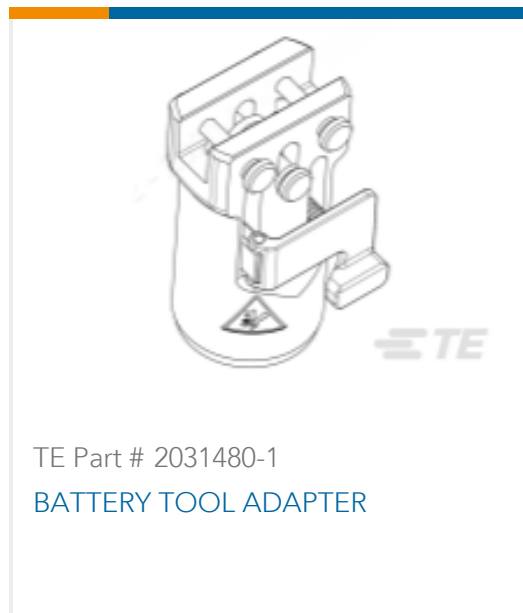
TE Part # 2217480-2
KIT, BTLI, SDE OPEN HEAD



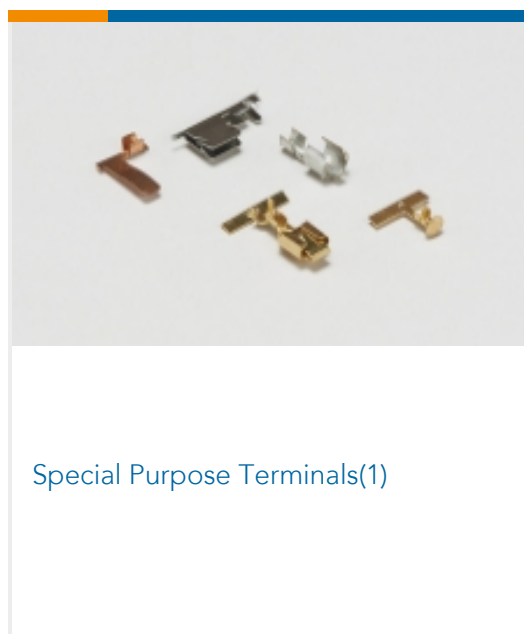
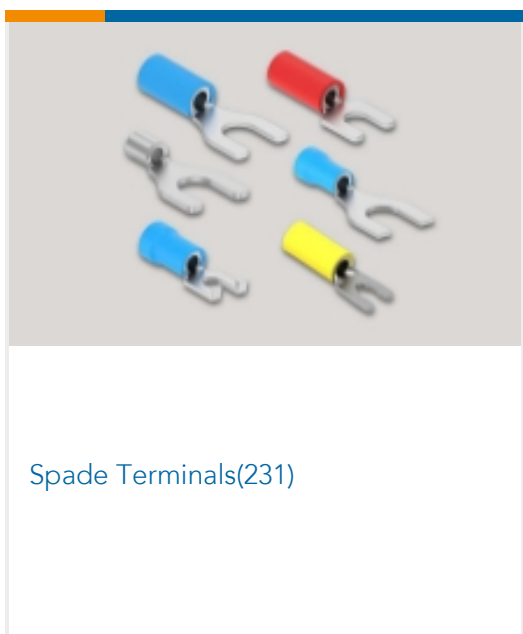
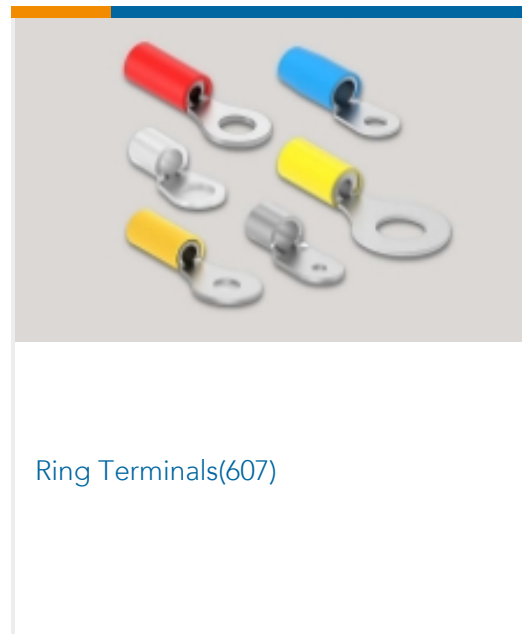
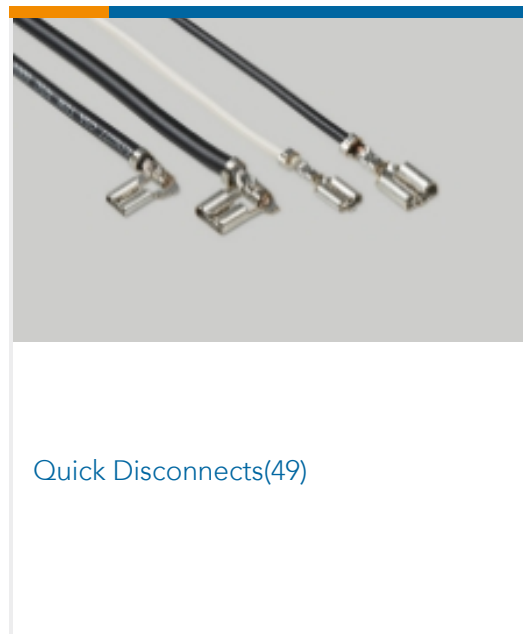
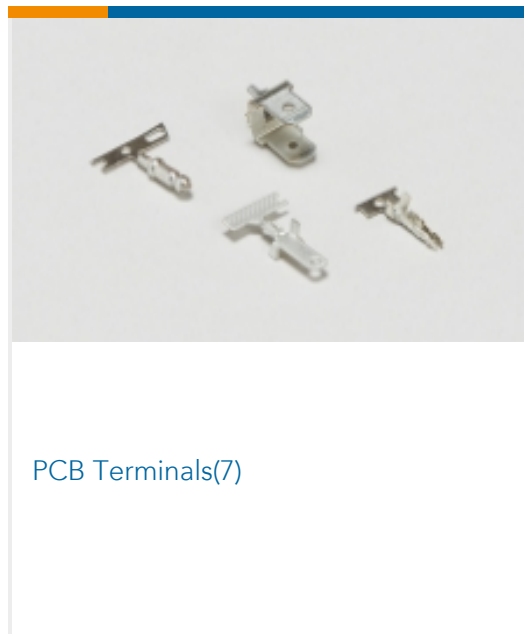
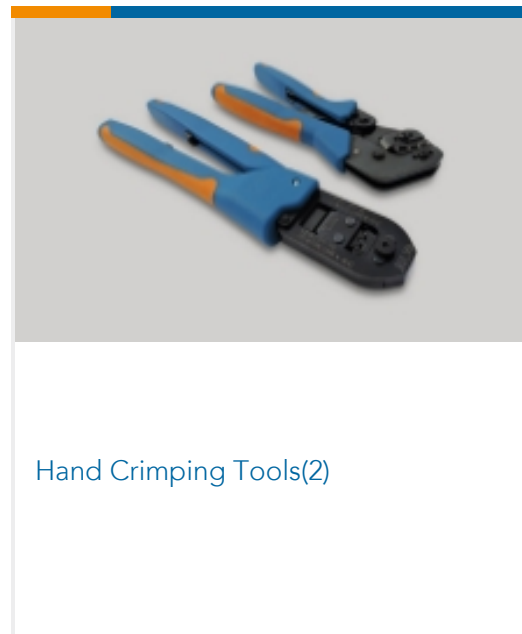
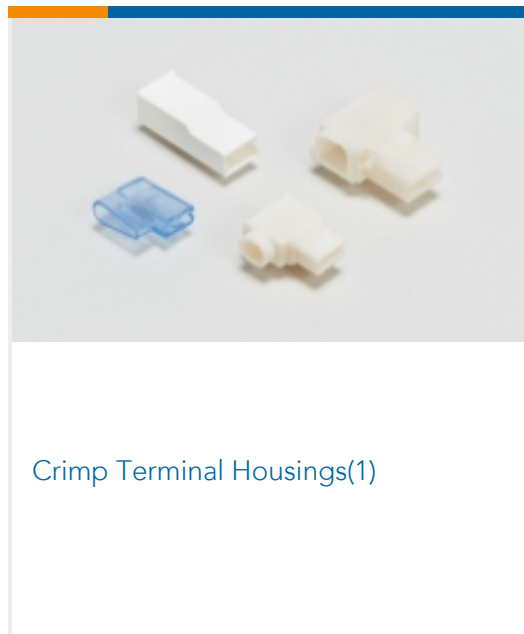
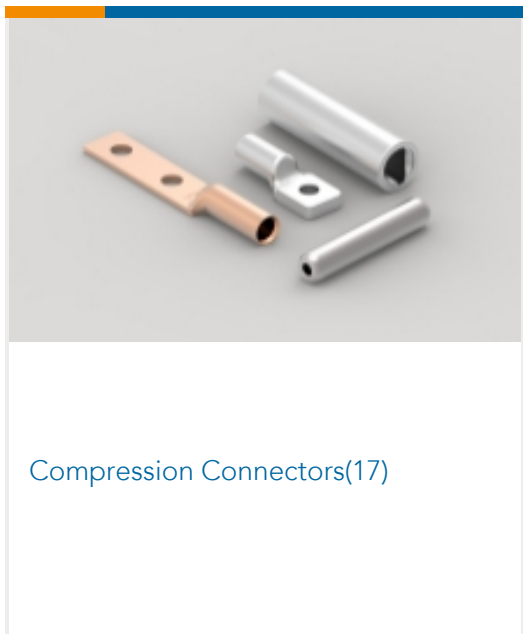
TE Part # 2217485-1
KIT, BTLI, T-HEAD



TE Part # 2217485-2
KIT, BTLI, T-HEAD



Also in the Series | PIDG



Customers Also Bought



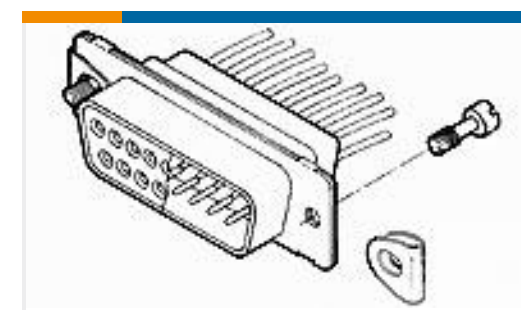
TE Part #66023-2
TAB, PIDG TERMI-BK 22-16



TE Part #5-1440007-3
TSC-124D3H,000



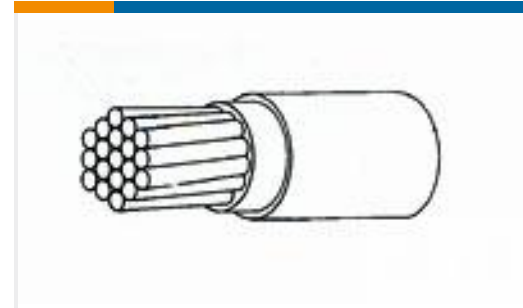
TE Part #171506-1
PIDG RING (22-18)



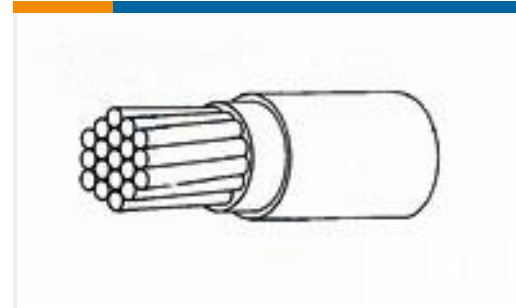
TE Part #748274-2
SCREW RETAINER CLIP, AMPLIMITE



TE Part #787610-1
CPC RECPT, SIZE 23-37 W/INSERTS



TE Part #218434-000
22759/41-14-9



TE Part #218655-001
22759/41-24-9



TE Part #EF4719-000
55A1823-24-9/96-9CS2275



TE Part #2-322873-1
DG 22-16 HT CHROMEL R 6



TE Part #368036-1
CLIP FOR 070 & EJ MK-II (DAEWOO)

Documents

Product Drawings

[22-16 PIDG R/T 7/16" STUD EXP](#)

English

CAD Files

[3D PDF](#)

3D

Customer View Model

[ENG_CVM_CVM_150072-1_D.2d_dxf.zip](#)

English

Customer View Model

[ENG_CVM_CVM_150072-1_D.3d_igs.zip](#)

English

Customer View Model

[ENG_CVM_CVM_150072-1_D.3d_stp.zip](#)

English

By downloading the CAD file I accept and agree to the [Terms and Conditions](#) of use.

Product Specifications



Application Specification

English

Product Environmental Compliance

Product Compliance

English

Product Compliance

English