



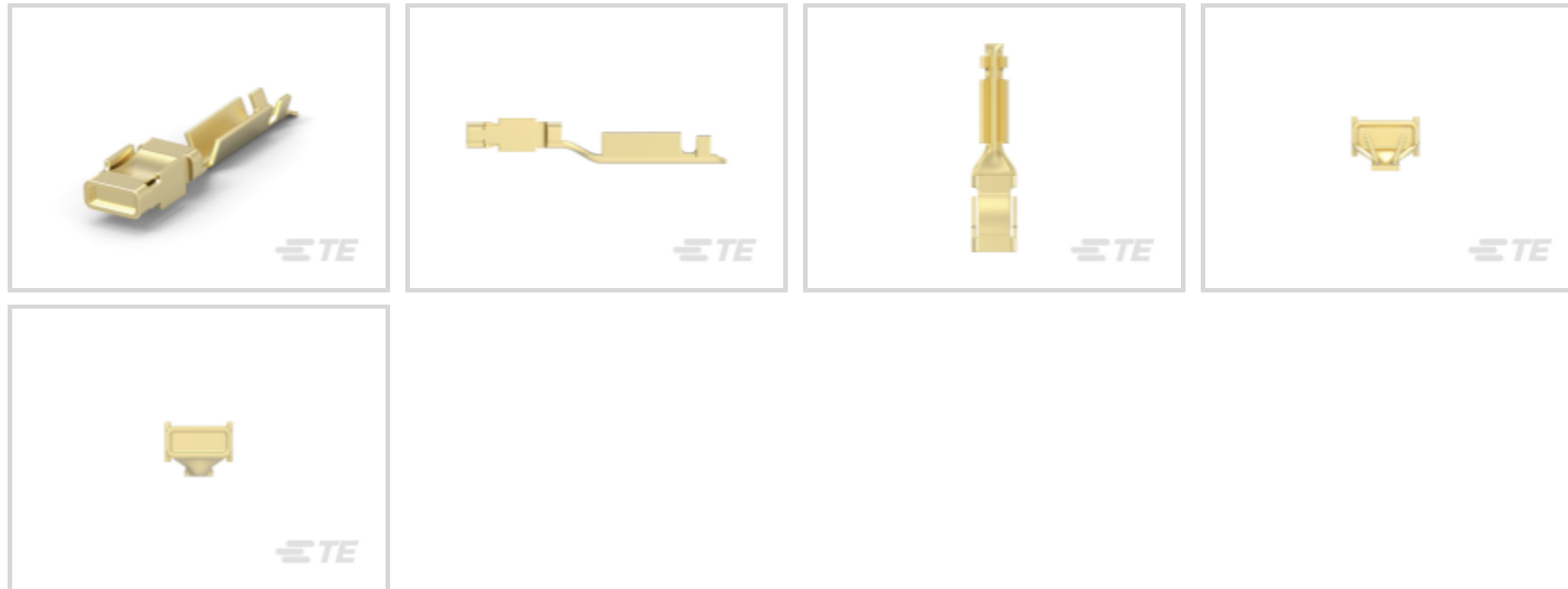
AMPLIVAR

TE Internal #: 1494211-1

Quick Disconnects, Receptacle, 21 – 18.5 AWG Wire Size, .41 – .82 mm² Wire Size, 800 – 1500 CMA Wire Size, Straight, Copper Alloy, AMPLIVAR

[View on TE.com >](#)

Terminals & Splices > Quick Disconnects



Quick Disconnect Terminal Type: **Receptacle**

Wire Size: **800 – 1500 CMA**

Terminal Orientation: **Straight**

Features

Product Type Features

Compatible With Discrete Wire Type	Magnet Wire
------------------------------------	-------------

Contact Features

Quick Disconnect Terminal Type	Receptacle
Terminal Orientation	Straight
Contact Base Material	Copper Alloy
Terminal Plating Material	Unplated
Crimp Type	F-Crimp
Barrel Type	Open

Termination Features

Product Terminates To	Wire & Cable
-----------------------	--------------

Mechanical Attachment

Wire Insulation Support	With
-------------------------	------

Dimensions

Terminal Material Thickness	.3 mm[.012 in]
Product Length	15.7 mm[.618 in]



Wire Size	800 – 1500 CMA
-----------	----------------

Usage Conditions

Insulation Option	Uninsulated
Operating Temperature Range	15 – 85 °C[59 – 185 °F]

Packaging Features

Packaging Quantity	7000
Packaging Method	Reel

Other

Line	AMPLIVAR, FASTON .110
------	-----------------------

Product Compliance

[For compliance documentation, visit the product page on TE.com>](#)

EU RoHS Directive 2011/65/EU	Compliant
EU ELV Directive 2000/53/EC	Compliant
China RoHS 2 Directive MIIT Order No 32, 2016	No Restricted Materials Above Threshold
EU REACH Regulation (EC) No. 1907/2006	Current ECHA Candidate List: JUNE 2023 (235) Candidate List Declared Against: JUNE 2023 (235) Does not contain REACH SVHC
Halogen Content	Low Halogen - Br, Cl, F, I < 900 ppm per homogenous material. Also BFR/CFR/PVC Free
Solder Process Capability	Not applicable for solder process capability

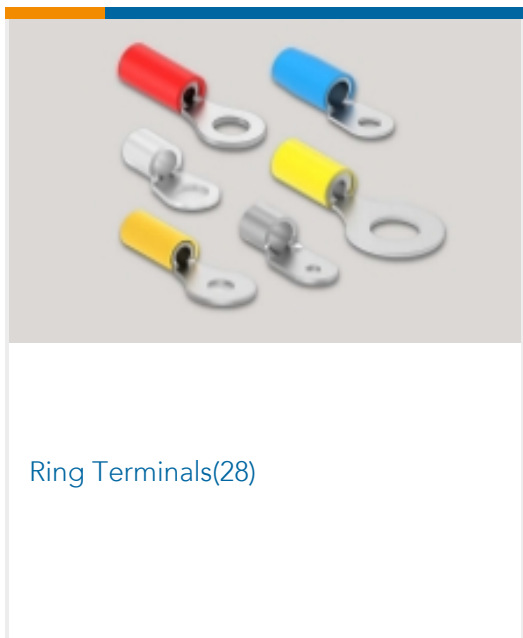
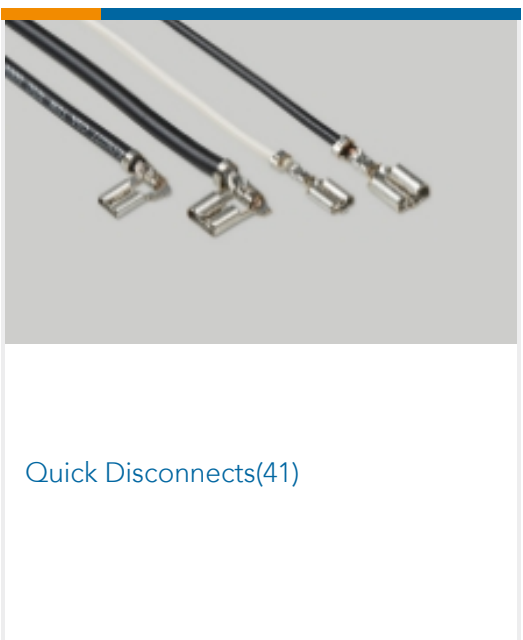
Product Compliance Disclaimer

This information is provided based on reasonable inquiry of our suppliers and represents our current actual knowledge based on the information they provided. This information is subject to change. The part numbers that TE has identified as EU RoHS compliant have a maximum concentration of 0.1% by weight in homogenous materials for lead, hexavalent chromium, mercury, PBB, PBDE, DBP, BBP, DEHP, DIBP, and 0.01% for cadmium, or qualify for an exemption to these limits as defined in the Annexes of Directive 2011/65/EU (RoHS2). Finished electrical and electronic equipment products will be CE marked as required by Directive 2011/65/EU. Components may not be CE marked. Additionally, the part numbers that TE has identified as EU ELV compliant have a maximum concentration of 0.1% by weight in homogenous materials for lead, hexavalent chromium, and mercury, and 0.01% for cadmium, or qualify for an exemption to these limits as defined in the Annexes of Directive 2000/53/EC (ELV). Regarding the REACH Regulation, the information TE provides on SVHC in articles for this part number is based on the latest European Chemicals Agency (ECHA) 'Guidance on requirements for substances in articles' posted at this URL: <https://echa.europa.eu/guidance-documents/guidance-on-reach>

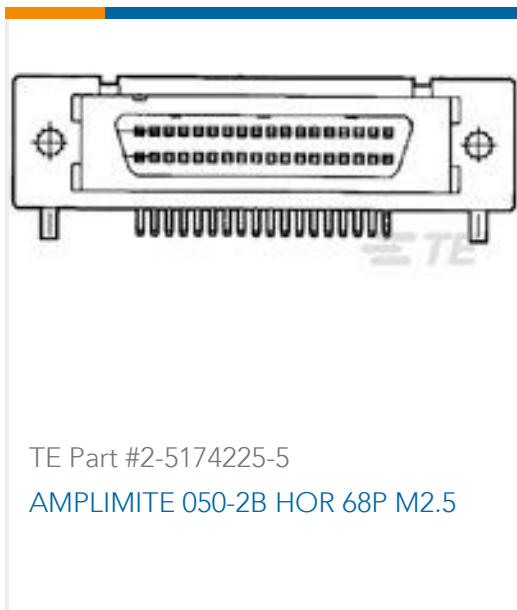
Compatible Parts



Also in the Series | **AMPLIVAR**



Customers Also Bought



TE Part #2-5174225-5
AMPLIMITE 050-2B HOR 68P M2.5



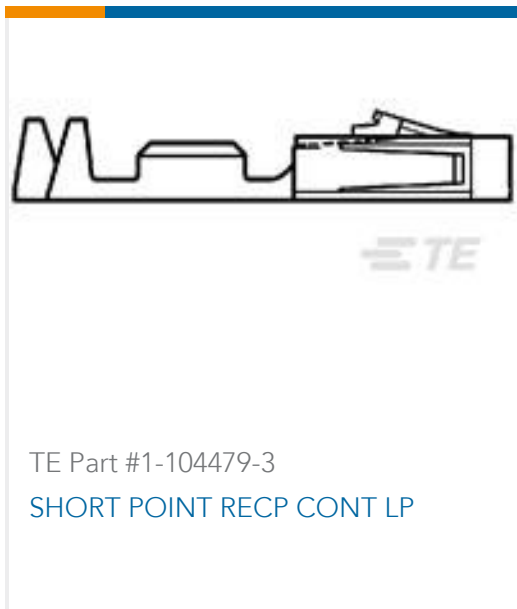
TE Part #GA10K3MCD1
MCD PROBE, 10K OHMS,



TE Part #T4133012031-000
M12,FRONT MOUNT,FEMALE,A,3P,
SOLDER WIRE



TE Part #T4033014031-000
M8.FMLE.PNLFRONT.3POS.STR
SOLDER WIRE



TE Part #1-104479-3
SHORT POINT RECP CONT LP



TE Part #104257-7
08 MTE RCPT HSG SR LATCH .100



TE Part #104257-3
04 MTE RCPT HSG SR LATCH .100



TE Part #63577-1
250 FASTON FLAG REC 22-16 AWG
BR



TE Part #11031469-00
110UM AG INK FILM 8 X 11



TE Part #CONBNC002
BNC Jack 50 Ohm PCB Through Hole

Documents

Product Drawings

[SIZE\(2.8\) AMPLIVAR FASTON RECP](#)

English

CAD Files

[3D PDF](#)

3D

Customer View Model

[ENG_CVM_CVM_1494211-1_E.2d_dxf.zip](#)

English

Customer View Model

[ENG_CVM_CVM_1494211-1_E.3d_igs.zip](#)

English

Customer View Model

[ENG_CVM_CVM_1494211-1_E.3d_stp.zip](#)

English

By downloading the CAD file I accept and agree to the [Terms and Conditions](#) of use.

Datasheets & Catalog Pages



Magnet Wire Terminals & Splices

English

Product Specifications

Application Specification

English