



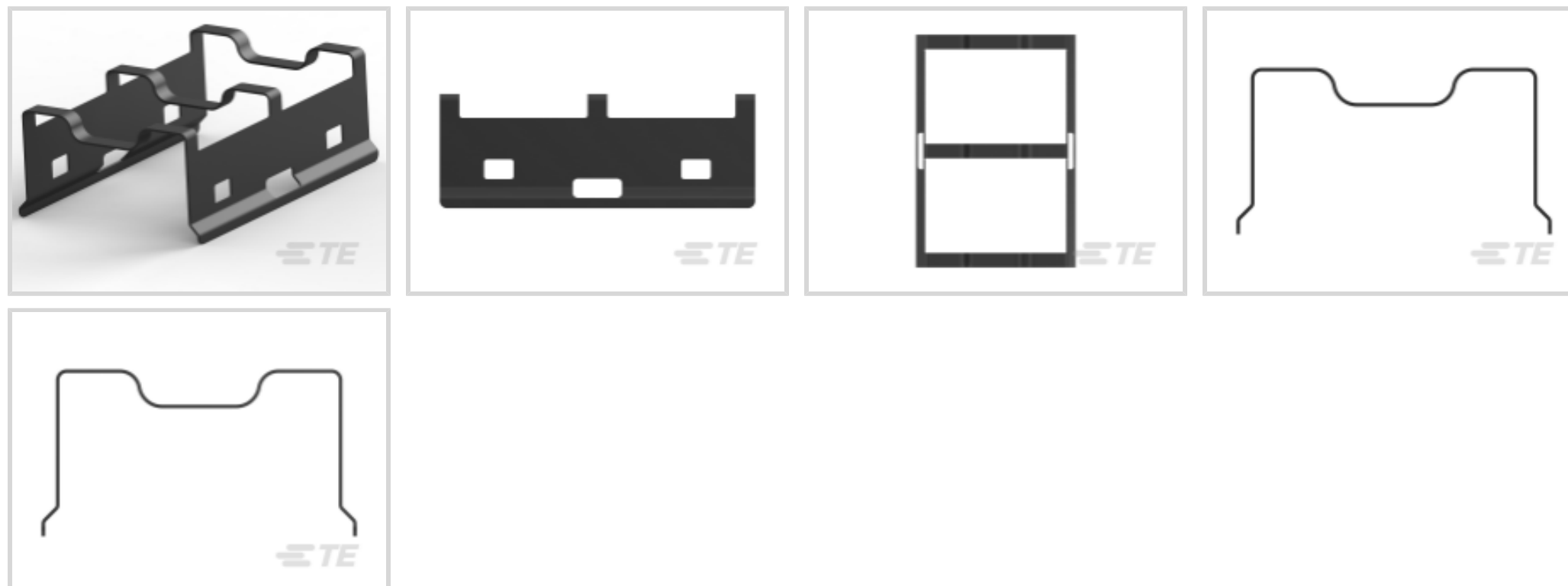
XFP

TE Internal #: 1489948-2

Heat Sinks, XFP, 15W / 5W / 10W Power Rating, XFP

[View on TE.com >](#)

Connectors > Socket Connectors > IC & Component Socket Accessories > Heat Sinks



Device Type: XFP

Power Rating: 5 W, 10 W, 15 W

Features

Product Type Features

Device Type	XFP
-------------	-----

Electrical Characteristics

Power Rating	5 W, 10 W, 15 W
--------------	-----------------

Body Features

Primary Product Plating Material	Tin
Primary Product Material	Copper Alloy

Product Compliance

[For compliance documentation, visit the product page on TE.com>](#)

EU RoHS Directive 2011/65/EU	Compliant
EU ELV Directive 2000/53/EC	Compliant
China RoHS 2 Directive MIIT Order No 32, 2016	No Restricted Materials Above Threshold
EU REACH Regulation (EC) No. 1907/2006	Current ECHA Candidate List: JUNE 2023 (235) Candidate List Declared Against: JUNE 2023 (235) Does not contain REACH SVHC
Halogen Content	Low Halogen - Br, Cl, F, I < 900 ppm per homogenous material. Also BFR/CFR/PVC Free

Solder Process Capability

Not applicable for solder process capability

Product Compliance Disclaimer

This information is provided based on reasonable inquiry of our suppliers and represents our current actual knowledge based on the information they provided. This information is subject to change. The part numbers that TE has identified as EU RoHS compliant have a maximum concentration of 0.1% by weight in homogenous materials for lead, hexavalent chromium, mercury, PBB, PBDE, DBP, BBP, DEHP, DIBP, and 0.01% for cadmium, or qualify for an exemption to these limits as defined in the Annexes of Directive 2011/65/EU (RoHS2). Finished electrical and electronic equipment products will be CE marked as required by Directive 2011/65/EU. Components may not be CE marked. Additionally, the part numbers that TE has identified as EU ELV compliant have a maximum concentration of 0.1% by weight in homogenous materials for lead, hexavalent chromium, and mercury, and 0.01% for cadmium, or qualify for an exemption to these limits as defined in the Annexes of Directive 2000/53/EC (ELV). Regarding the REACH Regulation, the information TE provides on SVHC in articles for this part number is based on the latest European Chemicals Agency (ECHA) 'Guidance on requirements for substances in articles' posted at this URL: <https://echa.europa.eu/guidance-documents/guidance-on-reach>

Compatible Parts



TE Part # CAT-X29-C1171XN
XFP Cage Assemblies and Kits



TE Part # 1542618-2
XFP MSA SAN APPLICATION



TE Part # 1963850-2
XFP. MSA HEATSINK 10mm TALL



TE Part # 1542993-2
SFP HEATSINK 13.5MM TALL



TE Part # 1542706-3
XFP. MSA NETWORK APPLICATION H



TE Part # 1829904-2
HEAT SINK SFP DWDM 6.5mm TALL



TE Part # 1829905-2
HEAT SINK SFP DWDM 13.5mm TALL

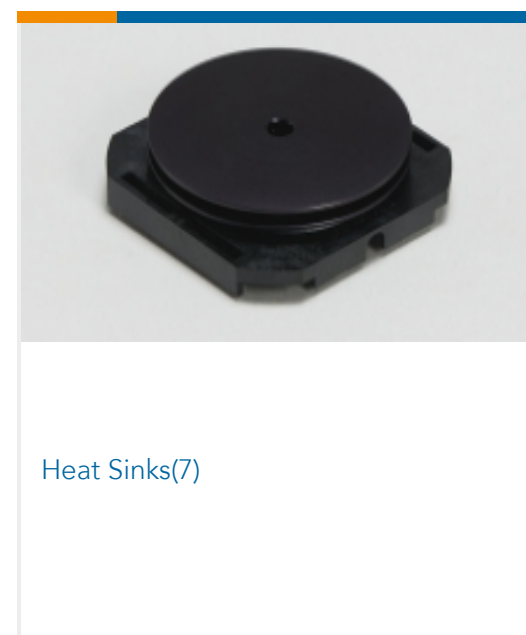
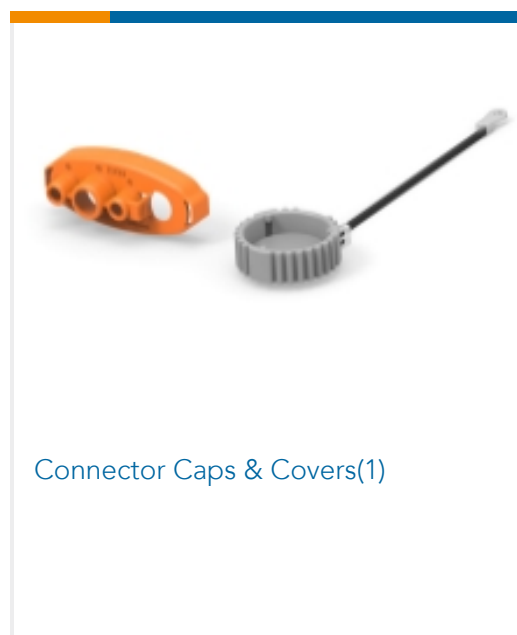


TE Part # 1963854-2
HEAT SINK SFP DWDM 10.0mm TALL

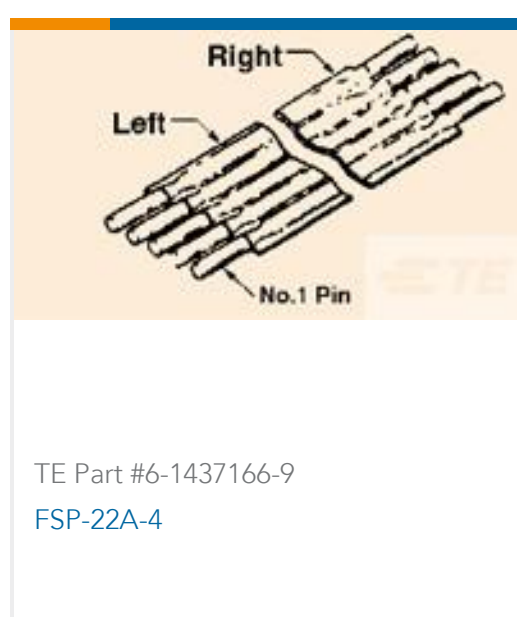
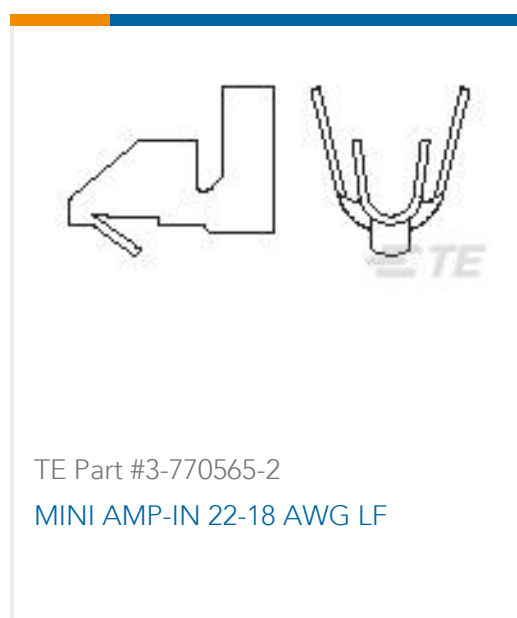
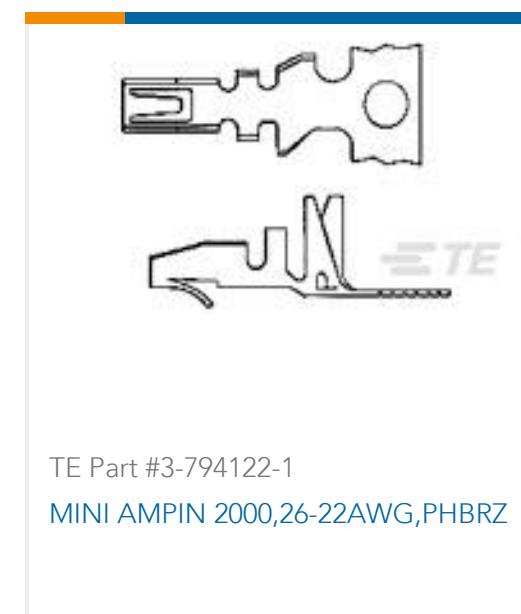
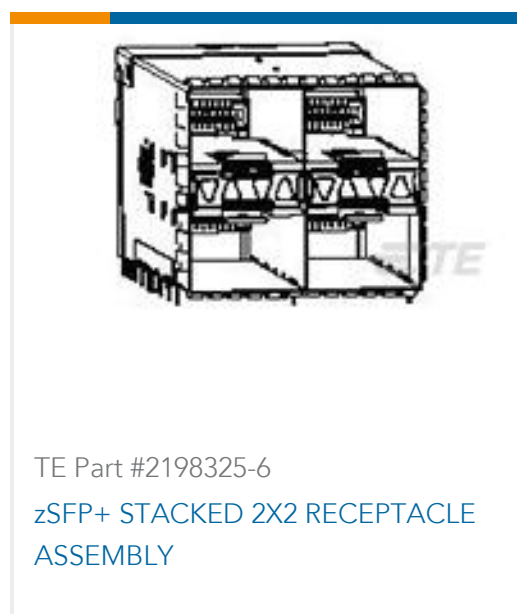


TE Part # 2303922-2
HEAT SINK SFP DWDM 4.2mm TALL

Also in the Series | XFP



Customers Also Bought



Documents

Product Drawings

XFP HEAT SINK CLIP, PLATED

English

CAD Files

3D PDF

English

Customer View Model

ENG_CVM_1489948-2_A.2d_dxf.zip



English

Customer View Model

[ENG_CVM_1489948-2_A.3d_igs.zip](#)

English

Customer View Model

[ENG_CVM_1489948-2_A.3d_stp.zip](#)

English

By downloading the CAD file I accept and agree to the [Terms and Conditions](#) of use.

Datasheets & Catalog Pages

[1773408-1 Pluggable Input/Output Solutions catalog - XFP section](#)

English

[1-1773717-7_PLUGGABLE_IO_QRG_CN](#)

English

[1-1773717-8_PLUGGABLEIO_QRG_TCN](#)

English

[1-1773717-9_HIGH_SPEED_IO_QRG_JA](#)

English

Product Specifications

[Application Specification](#)

English

Product Environmental Compliance

[MD_1489948-2_052120181328_dmtec](#)

English

[MD_1489948-2_052120181328_dmtec](#)

English