

1488991-6 ✓ ACTIVE

## MCON Interconnection System

TE Internal #: 1488991-6

Housing for Female Terminals, Wire-to-Wire / Wire-to-Device / Wire-to-Board, 3 Position, .157 in [4 mm] Centerline, MCON Interconnection System

[View on TE.com >](#)



Connectors > Automotive Connectors > Automotive Housings



Connector System: **Wire-to-Board, Wire-to-Device, Wire-to-Wire**

Number of Positions: **3**

Connector & Housing Type: **Housing for Female Terminals**

Centerline (Pitch): **4 mm [ .157 in ]**

Sealable: **Yes**

### Features

#### Product Type Features

Mixed & Hybrid Connector	No
Connector Shape	Rectangular
Connector System	Wire-to-Board, Wire-to-Device, Wire-to-Wire
Connector & Housing Type	Housing for Female Terminals
Sealable	Yes
Primary Locking Feature	Integrated in Housing

#### Configuration Features

Number of Positions	3
Number of Rows	1

#### Body Features

Primary Product Color	Black
Connector & Keying Code	B

#### Contact Features

Contact Size	1.2mm
Contact Type	Receptacle
Mating Tab Width	1.2 mm[.047 in]

#### Mechanical Attachment



Terminal Position Assurance	Yes
Strain Relief	Add By Accessory
Mating Alignment Type	Keyed
Mating Alignment	With
Connector Mounting Type	Cable Mount (Free-Hanging)

### Housing Features

Housing Material	PA GF
Centerline (Pitch)	4 mm[.157 in]

### Dimensions

Connector Height	15.6 mm[.614 in]
Product Width	26.5 mm[1.043 in]
Product Length	19 mm[.748 in]

### Usage Conditions

Operating Temperature (Max)	70 °C, 75 °C, 80 °C, 85 °C, 90 °C, 100 °C, 105 °C, 110 °C, 120 °C, 125 °C[158 °F][167 °F][176 °F][185 °F][194 °F][212 °F][221 °F][230 °F][248 °F][257 °F]
Operating Temperature Range	-40 – 125 °C[-40 – 257 °F]

### Operation/Application

Circuit Application	Signal
---------------------	--------

### Industry Standards

Degree of Protection	IP67
----------------------	------

### Packaging Features

Packaging Quantity	1
Packaging Method	Package

### Other

Serviceable	Yes
Connector Position Assurance Capable	Yes

### Product Compliance

[For compliance documentation, visit the product page on TE.com>](#)

EU RoHS Directive 2011/65/EU	Compliant
EU ELV Directive 2000/53/EC	Compliant



China RoHS 2 Directive MIIT Order No 32, 2016	No Restricted Materials Above Threshold
EU REACH Regulation (EC) No. 1907/2006	Current ECHA Candidate List: JUNE 2023 (235) Candidate List Declared Against: JUNE 2023 (235) Does not contain REACH SVHC
Halogen Content	Low Halogen - Br, Cl, F, I < 900 ppm per homogenous material. Also BFR/CFR/PVC Free
Solder Process Capability	Not applicable for solder process capability

Product Compliance Disclaimer

This information is provided based on reasonable inquiry of our suppliers and represents our current actual knowledge based on the information they provided. This information is subject to change. The part numbers that TE has identified as EU RoHS compliant have a maximum concentration of 0.1% by weight in homogenous materials for lead, hexavalent chromium, mercury, PBB, PBDE, DBP, BBP, DEHP, DIBP, and 0.01% for cadmium, or qualify for an exemption to these limits as defined in the Annexes of Directive 2011/65/EU (RoHS2). Finished electrical and electronic equipment products will be CE marked as required by Directive 2011/65/EU. Components may not be CE marked. Additionally, the part numbers that TE has identified as EU ELV compliant have a maximum concentration of 0.1% by weight in homogenous materials for lead, hexavalent chromium, and mercury, and 0.01% for cadmium, or qualify for an exemption to these limits as defined in the Annexes of Directive 2000/53/EC (ELV). Regarding the REACH Regulation, the information TE provides on SVHC in articles for this part number is based on the latest European Chemicals Agency (ECHA) 'Guidance on requirements for substances in articles' posted at this URL: <https://echa.europa.eu/guidance-documents/guidance-on-reach>

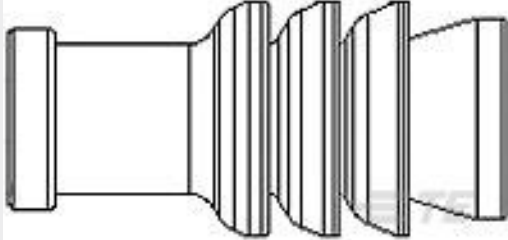
### Compatible Parts



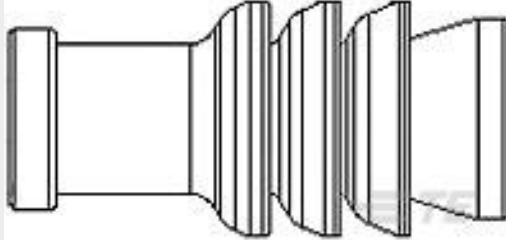
TE Part # 964972-1  
EINZELLEITERDICHTNG



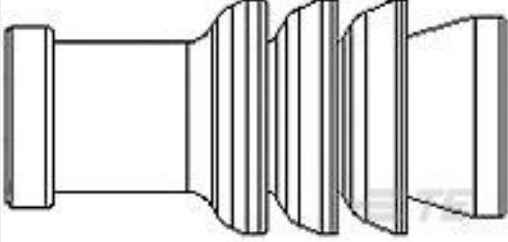
TE Part # 963143-1  
MQS BLINDSTOPFEN



TE Part # 967056-1  
MQS BLINDSTOPFEN4MM



TE Part # 967067-1  
MQS SGL WIRE SEAL



TE Part # 967067-2  
MQS EINZELLEITDICHT



TE Part # CAT-M4595-T273  
MCON Receptacle and Tab

Also in the Series | **MCON Interconnection System**



Automotive Connector Caps & Covers (24)



Automotive Connector Locks & Position Assurance(11)



Automotive Housings(320)



Automotive Terminals(122)



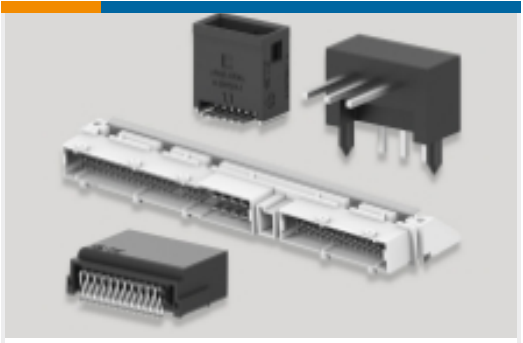
Connector Seals & Cavity Plugs(10)



Insertion & Extraction Tools(31)



Other Automotive Connector Accessories(2)



PCB Headers & Receptacles(2)

## Customers Also Bought



TE Part #2209441-1  
2W SPLASH PROOF CONN. W.S.L. JPT



TE Part #2-1355123-7  
MQS BU-GEH 60P



TE Part #1-2203771-2  
Plug Ass'y, 3P Sealed, Key B, CPA



TE Part #1-1703963-1  
16POS,AMP MCP1.5K,REC HSG,ASSY, SEALED



TE Part #1-1718284-2  
ADAPTER 90°FOR 10-14POS. SOCKE



TE Part #1924779-1  
WIRE DRESS ASSY, 96P GPEC II



TE Part #1801175-6  
2W RECEPTACLE HP CONNECTOR BROWN



TE Part #2050049-1  
3POS 2.8MM SENSOR PLUG ASSY



TE Part #2098866-1  
PLUG ASSY, 96P GPECIII KEY H L



TE Part #2363714-2  
REC CONN CVR ASSY,2POS,DT, 180DEG

## Documents



### Product Drawings

[3POS, MCON 1.2 CB REC 2p TL SEALED](#)

English

---

### CAD Files

Customer View Model

[ENG\\_CVM\\_CVM\\_1488991-6\\_D.2d\\_dxf.zip](#)

English

[3D PDF](#)

3D

Customer View Model

[ENG\\_CVM\\_CVM\\_1488991-6\\_D.3d\\_igs.zip](#)

English

Customer View Model

[ENG\\_CVM\\_CVM\\_1488991-6\\_D.3d\\_stp.zip](#)

English

By downloading the CAD file I accept and agree to the [Terms and Conditions](#) of use.

---

### Datasheets & Catalog Pages

[MCON Interconnection System](#)

English

---

### Instruction Sheets

[Instruction Sheet \(U.S.\)](#)

English

[Instruction Sheet \(U.S.\)](#)

English