

1487599-1 ✓ ACTIVE

TE Internal #: 1487599-1

USB Type A Pigtail Cable Assembly, Black Cable, USB Type A Plug,  
Single Ended, 28 AWG

[View on TE.com >](#)



[Cable Assemblies >](#) [Copper Cable Assemblies >](#) [Multimedia Cable Assemblies >](#) [USB Cable Assemblies](#)



Cable Assembly Type: **USB Type A Pigtail**

Cable Assembly Configuration: **Single Ended**

Wire Size: **28 AWG**

Cable Color: **Black**

Connector Type (End A): **USB Type A Plug**

## Features

### Product Type Features

Cable Assembly Type	USB Type A Pigtail
Connector Type (End A)	USB Type A Plug

### Configuration Features

Number of Positions	4
---------------------	---

### Body Features

Equalized	No
Cable Color	Black

### Dimensions

Wire Size	28 AWG
-----------	--------

### Operation/Application

Shielded	Yes
----------	-----

### Other

Cable Assembly Configuration	Single Ended
------------------------------	--------------

## Product Compliance

[For compliance documentation, visit the product page on TE.com>](#)

EU RoHS Directive 2011/65/EU	Compliant
EU ELV Directive 2000/53/EC	Compliant
China RoHS 2 Directive MIIT Order No 32, 2016	No Restricted Materials Above Threshold



EU REACH Regulation (EC) No. 1907/2006

Current ECHA Candidate List: JUNE 2023 (235)

Candidate List Declared Against: JUNE 2023 (235)

Does not contain REACH SVHC

Halogen Content

Not Low Halogen - contains Br or Cl > 900 ppm.

Solder Process Capability

Not applicable for solder process capability

Product Compliance Disclaimer

This information is provided based on reasonable inquiry of our suppliers and represents our current actual knowledge based on the information they provided. This information is subject to change. The part numbers that TE has identified as EU RoHS compliant have a maximum concentration of 0.1% by weight in homogenous materials for lead, hexavalent chromium, mercury, PBB, PBDE, DBP, BBP, DEHP, DIBP, and 0.01% for cadmium, or qualify for an exemption to these limits as defined in the Annexes of Directive 2011/65/EU (RoHS2). Finished electrical and electronic equipment products will be CE marked as required by Directive 2011/65/EU. Components may not be CE marked. Additionally, the part numbers that TE has identified as EU ELV compliant have a maximum concentration of 0.1% by weight in homogenous materials for lead, hexavalent chromium, and mercury, and 0.01% for cadmium, or qualify for an exemption to these limits as defined in the Annexes of Directive 2000/53/EC (ELV). Regarding the REACH Regulation, the information TE provides on SVHC in articles for this part number is based on the latest European Chemicals Agency (ECHA) 'Guidance on requirements for substances in articles' posted at this URL: <https://echa.europa.eu/guidance-documents/guidance-on-reach>

### Compatible Parts



TE Part # 5787617-3  
RECP ASSY, R/A, STACKED, THRU-HOLE, USB,



TE Part # 1775690-2  
Std USB Type A, VT, T/H, 2.5A



TE Part # 5787617-4  
RECP ASSY, R/A, STACKED, THRU-HOLE, USB,



TE Part # 1-292303-1  
Std USB Type A, R/A, SMT



TE Part # 292303-5  
Std USB Type A, R/A, T/H, Natural



TE Part # 5787745-5  
USB A R/A STAK ASSY THRU HOLE



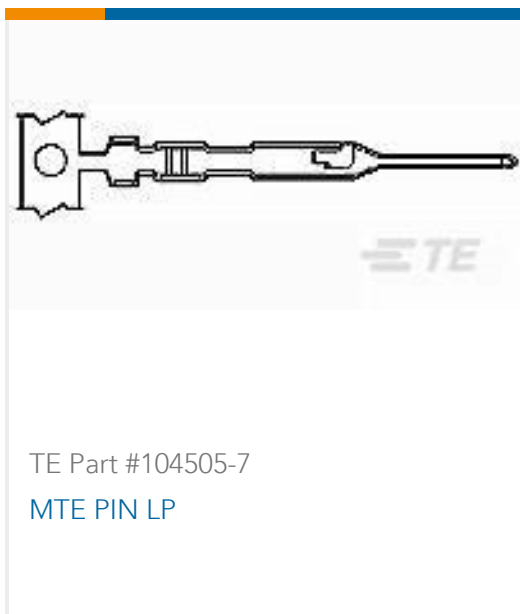
TE Part # 1734366-3  
Std USB Type A, VT, T/H, Blue



TE Part # 5787745-1  
USB A R/A STAK ASSY THRU HOLE



### Customers Also Bought





## Documents

### Product Drawings

[USB, A-BLUNT,28/28,BLK,0.83M](#)

English

### Product Environmental Compliance

[TE Material Declaration](#)

English