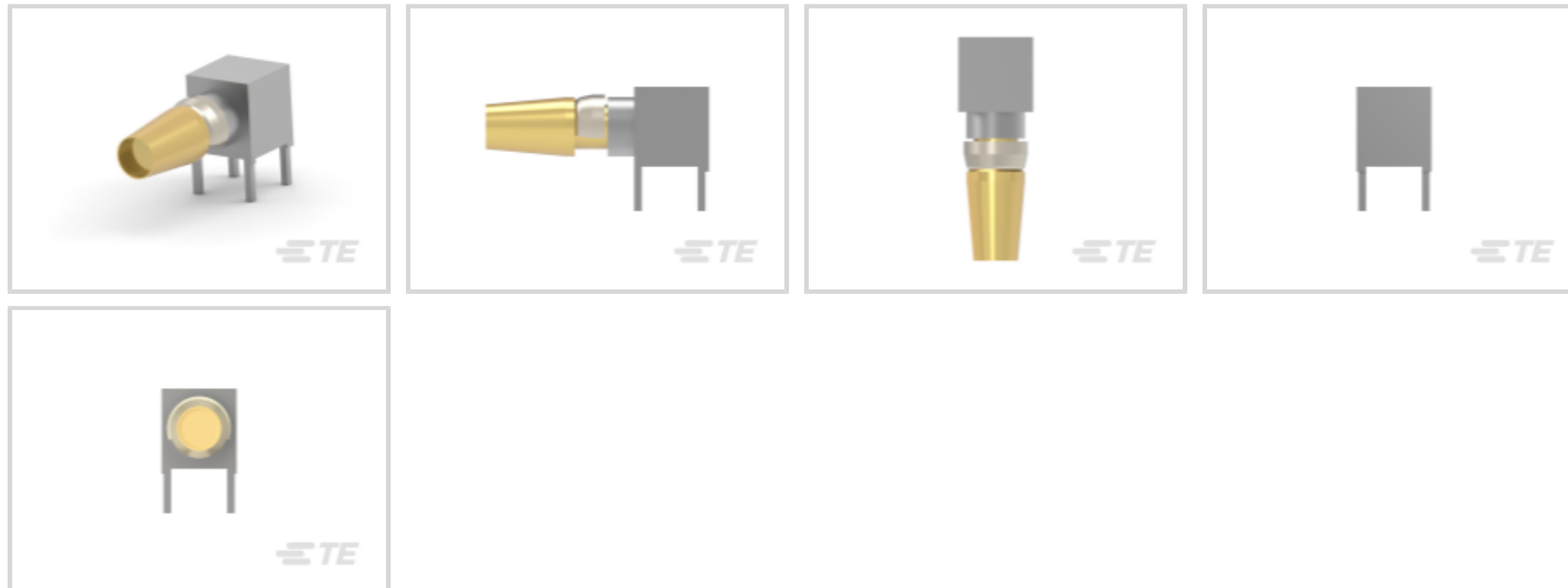




Connectors > PCB Connectors > Board-to-Board Connectors > Board-to-Board Connector Contacts



Contact Type: **Socket**

Contact Mating Area Plating Material: **Gold**

Contact Orientation: **Right Angle**

Connector & Contact Terminates To: **Printed Circuit Board**

Circuit Application: **Power**

Features

Product Type Features

Connector & Contact Terminates To	Printed Circuit Board
-----------------------------------	-----------------------

Contact Features

PCB Contact Termination Area Plating Material Thickness	2.54 μm [100 μin]
Contact Mating Area Plating Material Thickness	1.27 μm [50 μin]
Contact Underplating Material	Nickel
PCB Contact Termination Area Plating Material	Tin-Lead
Contact Base Material	Brass
Contact Type	Socket
Contact Mating Area Plating Material	Gold
Contact Orientation	Right Angle

Termination Features

Termination Method to Printed Circuit Board	Through Hole - Solder
---	-----------------------

Mechanical Attachment

Wire Insulation Support	Without
PCB Mount Retention	Without



Usage Conditions

Operating Temperature Range	-55 – 125 °C[-67 – 257 °F]
-----------------------------	----------------------------

Operation/Application

Circuit Application	Power
---------------------	-------

Packaging Features

Packaging Quantity	25
Packaging Method	Carton

Product Compliance

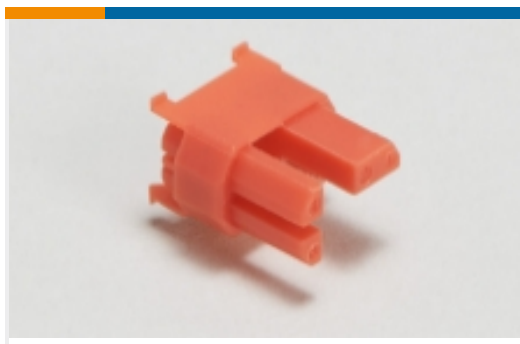
[For compliance documentation, visit the product page on TE.com>](#)

EU RoHS Directive 2011/65/EU	Not Compliant
EU ELV Directive 2000/53/EC	Not Compliant
China RoHS 2 Directive MIIT Order No 32, 2016	Restricted Materials Above Threshold
EU REACH Regulation (EC) No. 1907/2006	Current ECHA Candidate List: JUNE 2023 (235) Candidate List Declared Against: JUN 2020 (209) SVHC > Threshold: Pb (3.7% in Component part) Pb (13% in Component part) Pb (.6% in Component part) Article Safe Usage Statements: Do not eat, drink or smoke when using this product. Wash thoroughly after handling. Recycle if possible and dispose of the article by following all applicable governmental regulations relevant to your geographic location.
Halogen Content	Not Yet Reviewed for halogen content
Solder Process Capability	Hand solderable with tin/lead solder

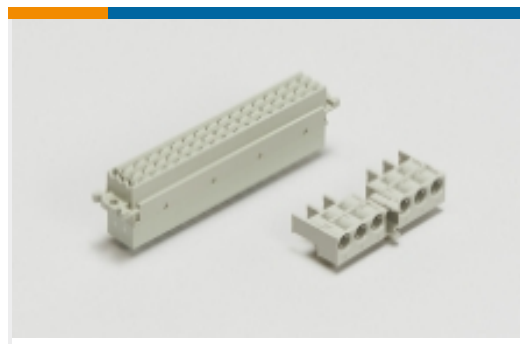
Product Compliance Disclaimer

This information is provided based on reasonable inquiry of our suppliers and represents our current actual knowledge based on the information they provided. This information is subject to change. The part numbers that TE has identified as EU RoHS compliant have a maximum concentration of 0.1% by weight in homogenous materials for lead, hexavalent chromium, mercury, PBB, PBDE, DBP, BBP, DEHP, DIBP, and 0.01% for cadmium, or qualify for an exemption to these limits as defined in the Annexes of Directive 2011/65/EU (RoHS2). Finished electrical and electronic equipment products will be CE marked as required by Directive 2011/65/EU. Components may not be CE marked. Additionally, the part numbers that TE has identified as EU ELV compliant have a maximum concentration of 0.1% by weight in homogenous materials for lead, hexavalent chromium, and mercury, and 0.01% for cadmium, or qualify for an exemption to these limits as defined in the Annexes of Directive 2000/53/EC (ELV). Regarding the REACH Regulation, the information TE provides on SVHC in articles for this part number is based on the latest European Chemicals Agency (ECHA) 'Guidance on requirements for substances in articles' posted at this URL: <https://echa.europa.eu/guidance-documents/guidance-on-reach>

Also in the Series | **Z-PACK 2mm HM**



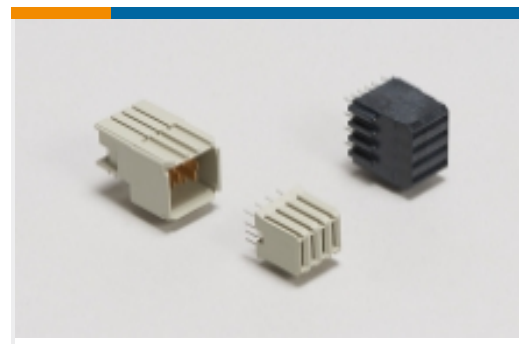
Backplane Coding Keys(60)



Backplane Connector Housings(4)



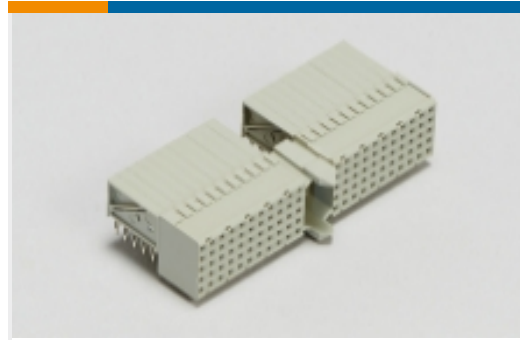
Backplane Guide Hardware(37)



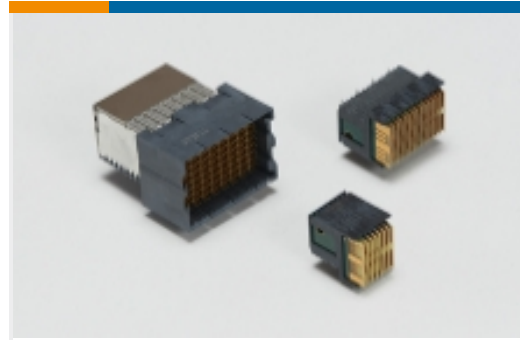
Backplane Power Connectors(6)



Board-to-Board Connector Contacts(2)



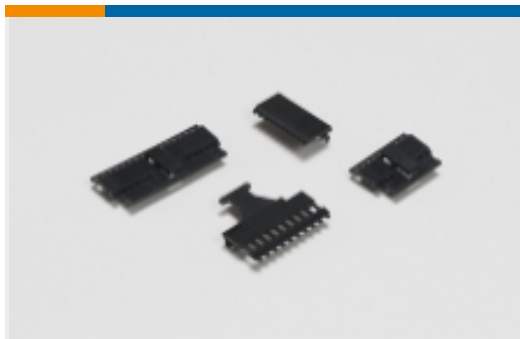
Hard Metric Backplane Connectors (269)



High Speed Backplane Connectors(1)



Insertion & Extraction Tools(2)



PCB Connector Covers(4)



PCB Connector Shrouds(39)



PCB Ferrules & Shields(19)

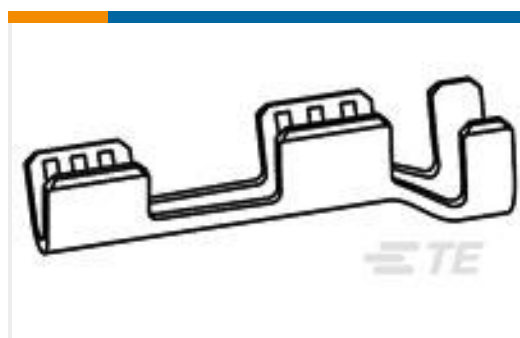


Rectangular Power Connectors(87)

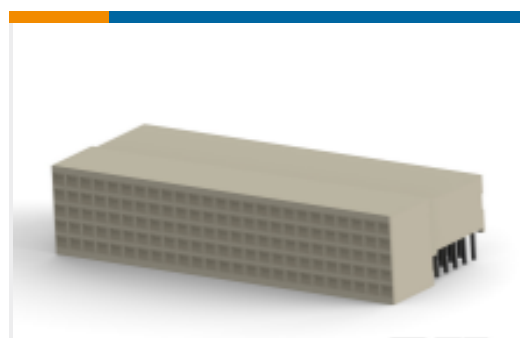
Customers Also Bought



TE Part #103166-5
14 MODII HDR DRRA SHRD .100CL



TE Part #62419-3
SPLICE 18-16/18-14 AWG .020 NPST



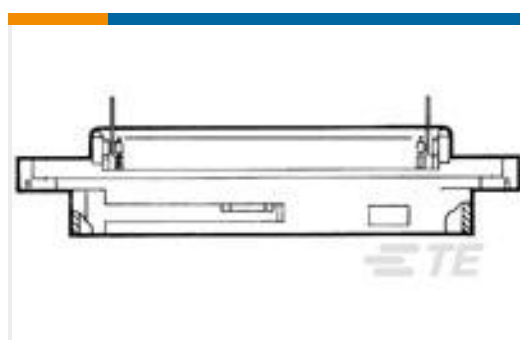
TE Part #5352177-1
HM Receptacle Connector: Traditional Backplane, Coplanar, 2mm



TE Part #2198234-3
SFP+ Enhanced 1x4, Net Heatsink, LP



TE Part #5227820-1
TNC PCB VERT



TE Part #5552126-1
ASSY, PLUG, 50 POS, EDGE MTG



TE Part #1050903-1
2002 7188 02

Documents



Product Drawings

TYPE M RECPT CONT R/A PCB MNT

English

CAD Files

3D PDF

3D

Customer View Model

[ENG_CVM_CVM_148513-1_D.2d_dxf.zip](#)

English

Customer View Model

[ENG_CVM_CVM_148513-1_D.3d_igs.zip](#)

English

Customer View Model

[ENG_CVM_CVM_148513-1_D.3d_stp.zip](#)

English

By downloading the CAD file I accept and agree to the [Terms and Conditions](#) of use.

Product Specifications

[Application Specification](#)

English