

148375-1 ✓ ACTIVE

EUROCARD

TE Internal #: 148375-1

Rack & Panel Contacts, Socket, Length .634 in [16.1 mm], Gold,
Printed Circuit Board

[View on TE.com >](#)



Connectors > PCB Connectors > Backplane Connectors > Rack & Panel Backplane > Rack & Panel Contacts



Contact Type: **Socket**

Contact Length: **16.1 mm [.634 in]**

Contact Mating Area Plating Material: **Gold**

Connector & Contact Terminates To: **Printed Circuit Board**

Contact Current Rating (Max): **3 A**

Features

Product Type Features

DIN Level	II
Connector & Contact Terminates To	Printed Circuit Board

Body Features

Contact Removal Style	Front Release
-----------------------	---------------

Contact Features

Contact Mating Area Plating Material Thickness	.76 µm
Contact Orientation	Straight
Contact Underplating Material	Nickel
Contact Base Material	Copper Alloy
Contact Type	Socket
Contact Length	16.1 mm [.634 in]
Contact Mating Area Plating Material	Gold
Contact Current Rating (Max)	3 A

Termination Features

--	--



Termination Method to Printed Circuit Board

Through Hole - Solder

Usage Conditions

Operating Temperature Range

-55 – 105 °C[-67 – 221 °F]

Operation/Application

Circuit Application

Power

Packaging Features

Packaging Method

Bag

Other

Connector Contacts Comment

For Use With Type M Connector

Product Compliance

For compliance documentation, visit the product page on [TE.com](https://www.te.com)>

EU RoHS Directive 2011/65/EU

Compliant with Exemptions

EU ELV Directive 2000/53/EC

Compliant with Exemptions

China RoHS 2 Directive MIIT Order No 32, 2016

Restricted Materials Above Threshold

EU REACH Regulation (EC) No. 1907/2006

Current ECHA Candidate List: JUNE 2023 (235)

Candidate List Declared Against: JUNE 2023 (235)

SVHC > Threshold:

Pb (.6% in Component Part)

Article Safe Usage Statements:

Do not eat, drink or smoke when using this product. Wash thoroughly after handling. Recycle if possible and dispose of the article by following all applicable governmental regulations relevant to your geographic location.

Halogen Content

Low Halogen - Br, Cl, F, I < 900 ppm per homogenous material. Also BFR/CFR/PVC Free

Solder Process Capability

Pin-in-Paste capable to 260°C

Product Compliance Disclaimer

This information is provided based on reasonable inquiry of our suppliers and represents our current actual knowledge based on the information they provided. This information is subject to change. The part numbers that TE has identified as EU RoHS compliant have a maximum concentration of 0.1% by weight in homogenous materials for lead, hexavalent chromium, mercury, PBB, PBDE, DBP, BBP, DEHP, DIBP, and 0.01% for cadmium, or qualify for an exemption to these limits as defined in the Annexes of Directive 2011/65/EU (RoHS2). Finished electrical and electronic equipment products will be CE marked as required by Directive 2011/65/EU. Components may not be CE marked. Additionally, the part numbers that TE has identified as EU ELV compliant have a maximum concentration of 0.1% by weight in homogenous materials for lead, hexavalent chromium, and mercury, and 0.01% for cadmium, or qualify for an exemption to these limits as defined in the Annexes of Directive 2000/53/EC (ELV). Regarding the REACH Regulation, the information TE provides on SVHC in articles for this part number is based on the latest European Chemicals Agency (ECHA) 'Guidance on requirements for substances in articles' posted at this URL: <https://echa.europa.eu/guidance-documents/guidance-on-reach>

Compatible Parts



TE Part # 5148414-5
ASSY,PIN,R.A.,TYPE M,EUROCARD,L-FREE,24+



TE Part # 5148417-5
ASSY,RECPT,TYPE M,EUROCARD,L-F



TE Part # 148412-5
EURO TYPE M PIN ASSY 60+4



TE Part # 148413-5
EURO TYPE M PIN ASSY 42+6

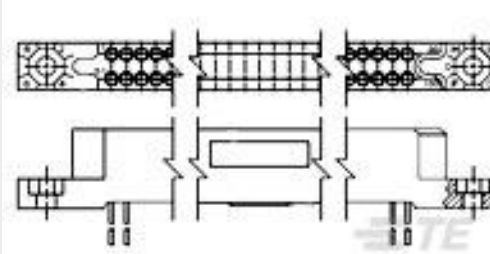


TE Part # 5-1393637-7
V42254P2263M420=PC612 FEDERLEI

Customers Also Bought



TE Part # YDTS20F17-35ABV001
RECP ASSY



TE Part # 1-531812-1
BOX RCPT 110 POS STAG



TE Part # 2-87879-0
25 MODIV VRT SR OE 100/115

TE Part # RM54-106P
RECP ASSY

TE Part # 3-106015-1
Z-PACK/A RAMH.110P

TE Part # 3-646492-0
2MM HM,ASY,T-F,REC,TT/PRE-SHLD

TE Part # 3-646357-0
2MM HM ASY,T-B,HDR,10R,250,AP

TE Part # 6-1618240-3
K47A-01=RELAY, VACUUM, SPST-NO

Documents

Product Drawings

[EURO, TYPE M CONTACT, FEMALE](#)

English

CAD Files

[Customer View Model](#)

[ENG_CVM_148375-1_A.2d_dxf.zip](#)

English



Customer View Model

[ENG_CVM_148375-1_A.3d_igs.zip](#)

English

Customer View Model

[ENG_CVM_148375-1_A.3d_stp.zip](#)

English

3D PDF

English

By downloading the CAD file I accept and agree to the [Terms and Conditions](#) of use.

Product Specifications

[Application Specification](#)

English

Product Environmental Compliance

[TE Material Declaration](#)

English

Instruction Sheets

[Instruction Sheet \(U.S.\)](#)

English