

148020-5 ✓ ACTIVE

## EUROCARD

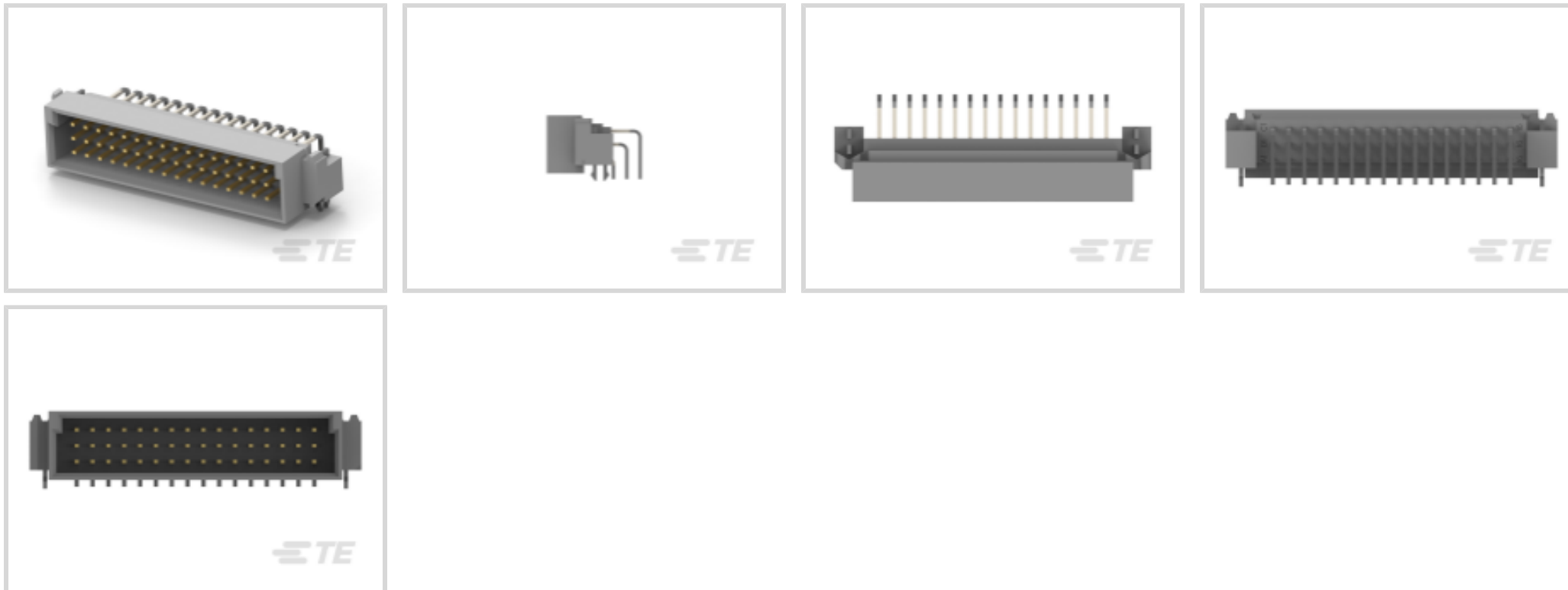
TE Internal #: 148020-5

Eurocard Connectors, Plug, Board-to-Board, 48 Position, .1 in [2.54 mm] Centerline, Printed Circuit Board, 3 Row, Right Angle, 16 Column

[View on TE.com >](#)



Connectors > PCB Connectors > Backplane Connectors > Eurocard Connectors



Connector & Housing Type: **Plug**

Connector System: **Board-to-Board**

Termination Post & Tail Length: **2.64 mm [ .104 in ]**

Number of Positions: **48**

Centerline (Pitch): **2.54 mm [ .1 in ]**

### Features

#### Product Type Features

Connector & Housing Type	Plug
Connector System	Board-to-Board
Connector & Contact Terminates To	Printed Circuit Board
DIN Size	Half
DIN Level	II

#### Configuration Features

Number of Positions	48
Number of Rows	3
PCB Mount Orientation	Right Angle
Number of Columns	16
Number of Signal Positions	48
Rows Loaded	A, B, C

#### Body Features

Primary Product Color	Gray
-----------------------	------



### Contact Features

Contact Type	Pin
Contact Mating Area Plating Material Thickness	1.27 $\mu$ m
Contact Mating Area Plating Material	Nickel
PCB Contact Termination Area Plating Material	Tin-Lead
Contact Base Material	Brass
Contact Current Rating (Max)	3 A

### Termination Features

Termination Method to Printed Circuit Board	Through Hole - Solder
Termination Post & Tail Length	2.64 mm[.104 in]

### Mechanical Attachment

Mating Alignment Type	Polarization
Mating Retention	With
Mating Alignment	With
PCB Mount Alignment	Without
Panel Mount Feature	Without
PCB Mount Retention	With
PCB Mount Retention Type	Boardlock
Connector Mounting Type	Board Mount

### Housing Features

Housing Material	Polyester - GF
Centerline (Pitch)	2.54 mm[.1 in]

### Dimensions

Row-to-Row Spacing	2.54 mm[.1 in]
--------------------	----------------

### Usage Conditions

Operating Temperature Range	-55 – 125 °C[-67 – 257 °F]
-----------------------------	----------------------------

### Operation/Application

Circuit Application	Signal
---------------------	--------

### Industry Standards

UL Flammability Rating	UL 94V-0
------------------------	----------

### Packaging Features

--	--



Packaging Method	Package
------------------	---------

### Product Compliance

[For compliance documentation, visit the product page on TE.com>](#)

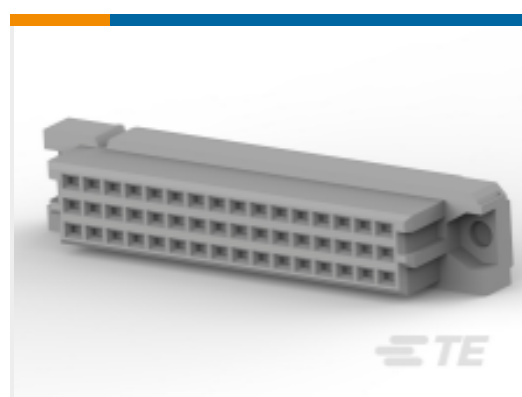
EU RoHS Directive 2011/65/EU	Not Compliant
EU ELV Directive 2000/53/EC	Compliant with Exemptions
China RoHS 2 Directive MIIT Order No 32, 2016	Restricted Materials Above Threshold
EU REACH Regulation (EC) No. 1907/2006	Current ECHA Candidate List: JUNE 2023 (235) Candidate List Declared Against: JUNE 2023 (235) SVHC > Threshold: Pb (13% in Component Part) <b>Article Safe Usage Statements:</b> Do not eat, drink or smoke when using this product. Wash thoroughly after handling. Recycle if possible and dispose of the article by following all applicable governmental regulations relevant to your geographic location.
Halogen Content	Low Halogen - Br, Cl, F, I < 900 ppm per homogenous material. Also BFR/CFR/PVC Free
Solder Process Capability	Wave solder capable to 240°C

#### Product Compliance Disclaimer

This information is provided based on reasonable inquiry of our suppliers and represents our current actual knowledge based on the information they provided. This information is subject to change. The part numbers that TE has identified as EU RoHS compliant have a maximum concentration of 0.1% by weight in homogenous materials for lead, hexavalent chromium, mercury, PBB, PBDE, DBP, BBP, DEHP, DIBP, and 0.01% for cadmium, or qualify for an exemption to these limits as defined in the Annexes of Directive 2011/65/EU (RoHS2). Finished electrical and electronic equipment products will be CE marked as required by Directive 2011/65/EU. Components may not be CE marked. Additionally, the part numbers that TE has identified as EU ELV compliant have a maximum concentration of 0.1% by weight in homogenous materials for lead, hexavalent chromium, and mercury, and 0.01% for cadmium, or qualify for an exemption to these limits as defined in the Annexes of Directive 2000/53/EC (ELV). Regarding the REACH Regulation, the information TE provides on SVHC in articles for this part number is based on the latest European Chemicals Agency (ECHA) 'Guidance on requirements for substances in articles' posted at this URL: <https://echa.europa.eu/guidance-documents/guidance-on-reach>

### Compatible Parts

<p>TE Part # 5535091-5 ASSEMBLY,RECEPTACLE,EUROCARD, T</p>	<p>TE Part # 5535071-4 ASSY,RECEPTACLE,EUROCARD,TYPE</p>	<p>TE Part # 5535070-5 ASSY,RECEPTACLE,EUROCARD,TYPE</p>	<p>TE Part # 8-1393640-5 V42254B2201C480=PC612 FEDERLEI</p>
--	--	--	---



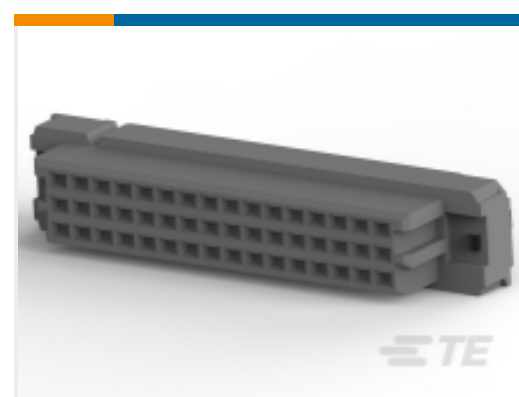
TE Part # 5535070-4  
ASSY,RECEPTACLE,EUROCARD,TYPE



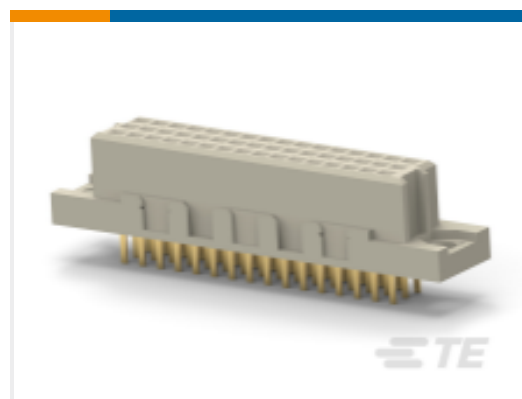
TE Part # 5536484-5  
ASSY,RECEPT,EURO,TYPE C/2,L-FR



TE Part # 5535034-4  
ASSY,RECEPTACLE,EUROCARD,TYPE  
C/2,L-FREE



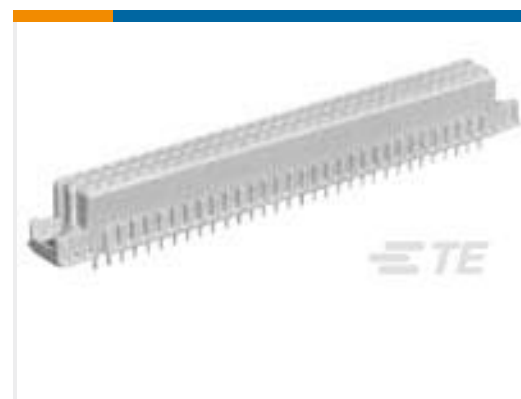
TE Part # 5536397-5  
ASSY,RECEPT,EURO,TYPE C/2,LEAD



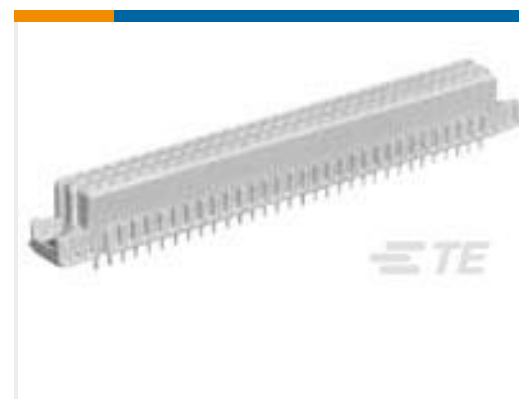
TE Part # 2-1393641-5  
V42254B2202C480=PC612 FEDERLEI



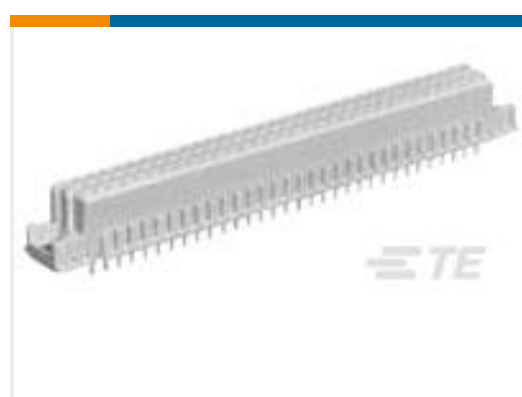
TE Part # 926040-2  
48P MOD 4 HSG



TE Part # 4-1393637-4  
V42254P2263C480=PC612 FEDERLEI



TE Part # 1393640-7  
V42254B2101C480=PC612 FEDERLEI



TE Part # 1393642-9  
V42254B2240C480=PC612 FEDERLEI



TE Part # 926040-1  
48P MOD 4 HSG

## Customers Also Bought



TE Part #5650473-5  
ASSY,PIN,EUROCARD,TYPE C,LEAD-



TE Part #5520259-4  
MJ,TE,8P,TRAYS



TE Part #1-406541-9  
MJ,INV,1X1,6PNL G,-100"ST,SN



TE Part #1462037-1  
IM01GR=IM RELAY 140mW 3V

## Documents

### Product Drawings

[048 EURO TYPE C PIN BL ASSY](#)

English

[048 EURO TYPE C PIN BL ASSY](#)

English

### CAD Files

[Customer View Model](#)

[ENG\\_CVM\\_CVM\\_148020-5\\_D.2d\\_dxf.zip](#)



English

[3D PDF](#)

3D

Customer View Model

[ENG\\_CVM\\_CVM\\_148020-5\\_D.3d\\_igs.zip](#)

English

Customer View Model

[ENG\\_CVM\\_CVM\\_148020-5\\_D.3d\\_stp.zip](#)

English

By downloading the CAD file I accept and agree to the [Terms and Conditions](#) of use.

**Product Specifications**

[Application Specification](#)

English