

1473793-1 ✓ ACTIVE

AMP | TH/.025 Connector System

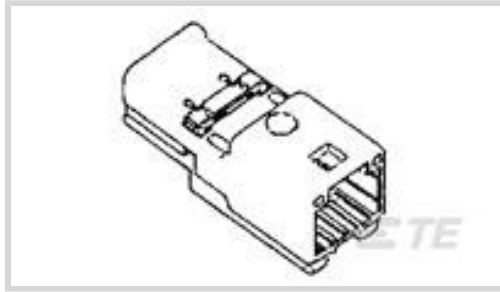
TE Internal #: 1473793-1

Housing for Male Terminals, Wire-to-Wire, 8 Position, .087 in [2.2 mm] Centerline, Natural, Signal, TH/.025 Connector System

[View on TE.com >](#)



Connectors > Automotive Connectors > Automotive Housings > TH/.025 CONNECTOR SYSTEM, HOUSING



Connector System: **Wire-to-Wire**

Number of Positions: **8**

Connector & Housing Type: **Housing for Male Terminals**

Centerline (Pitch): **2.2 mm [.087 in]**

Sealable: **No**

[All TH/.025 CONNECTOR SYSTEM, HOUSING \(217\)](#)

Features

Product Type Features

Mixed & Hybrid Connector	No
Connector Shape	Rectangular
Connector System	Wire-to-Wire
Connector & Housing Type	Housing for Male Terminals
Sealable	No
Primary Locking Feature	On the Terminal

Configuration Features

Number of Positions	8
Number of Rows	2

Electrical Characteristics

Operating Voltage	12 VDC
Nominal Voltage Architecture	12 V

Body Features

Cable Exit Angle	180°
Primary Product Color	Natural

Contact Features

Contact Size	.63mm
--------------	-------



Contact Type	Tab
--------------	-----

Mating Tab Width	.64 mm[.025 in]
------------------	-----------------

Mechanical Attachment

Terminal Position Assurance	Yes
-----------------------------	-----

Strain Relief	Without
---------------	---------

Mating Alignment Type	Polarized
-----------------------	-----------

Mating Alignment	With
------------------	------

Connector Mounting Type	Cable Mount (Free-Hanging)
-------------------------	----------------------------

Housing Features

Housing Material	PBT
------------------	-----

Centerline (Pitch)	2.2 mm[.087 in]
--------------------	-----------------

Dimensions

Connector Height	15.8 mm[.622 in]
------------------	------------------

Product Width	14.2 mm[.559 in]
---------------	------------------

Product Length	35.2 mm[1.386 in]
----------------	-------------------

Row-to-Row Spacing	4.24 mm[.167 in]
--------------------	------------------

Usage Conditions

Operating Temperature (Max)	70 °C, 75 °C, 80 °C[158 °F][167 °F][176 °F]
-----------------------------	---

Operating Temperature Range	-30 – 80 °C[-22 – 176 °F]
-----------------------------	---------------------------

Operation/Application

Circuit Application	Signal
---------------------	--------

Industry Standards

UL Flammability Rating	UL 94HB
------------------------	---------

Packaging Features

Packaging Quantity	100
--------------------	-----

Packaging Method	Bag
------------------	-----

Other

Serviceable	Yes
-------------	-----

Connector Position Assurance Capable	No
--------------------------------------	----

Product Compliance

[For compliance documentation, visit the product page on TE.com>](#)



EU RoHS Directive 2011/65/EU	Compliant
EU ELV Directive 2000/53/EC	Compliant
China RoHS 2 Directive MIIT Order No 32, 2016	No Restricted Materials Above Threshold
EU REACH Regulation (EC) No. 1907/2006	Current ECHA Candidate List: JUNE 2023 (235) Candidate List Declared Against: JUNE 2023 (235) Does not contain REACH SVHC
Halogen Content	Low Halogen - Br, Cl, F, I < 900 ppm per homogenous material. Also BFR/CFR/PVC Free
Solder Process Capability	Not applicable for solder process capability

Product Compliance Disclaimer

This information is provided based on reasonable inquiry of our suppliers and represents our current actual knowledge based on the information they provided. This information is subject to change. The part numbers that TE has identified as EU RoHS compliant have a maximum concentration of 0.1% by weight in homogenous materials for lead, hexavalent chromium, mercury, PBB, PBDE, DBP, BBP, DEHP, DIBP, and 0.01% for cadmium, or qualify for an exemption to these limits as defined in the Annexes of Directive 2011/65/EU (RoHS2). Finished electrical and electronic equipment products will be CE marked as required by Directive 2011/65/EU. Components may not be CE marked. Additionally, the part numbers that TE has identified as EU ELV compliant have a maximum concentration of 0.1% by weight in homogenous materials for lead, hexavalent chromium, and mercury, and 0.01% for cadmium, or qualify for an exemption to these limits as defined in the Annexes of Directive 2000/53/EC (ELV). Regarding the REACH Regulation, the information TE provides on SVHC in articles for this part number is based on the latest European Chemicals Agency (ECHA) 'Guidance on requirements for substances in articles' posted at this URL: <https://echa.europa.eu/guidance-documents/guidance-on-reach>

Compatible Parts



Also in the Series | [TH/.025 Connector System](#)



Automotive Connector Caps & Covers (6)



Automotive Connector Locks & Position Assurance(1)



Automotive Housings(224)



Automotive Terminals(26)



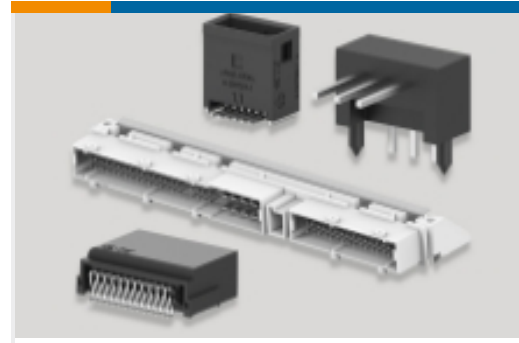
Connector Seals & Cavity Plugs(2)



Insertion & Extraction Tools(4)



Other Automotive Connector Accessories(5)

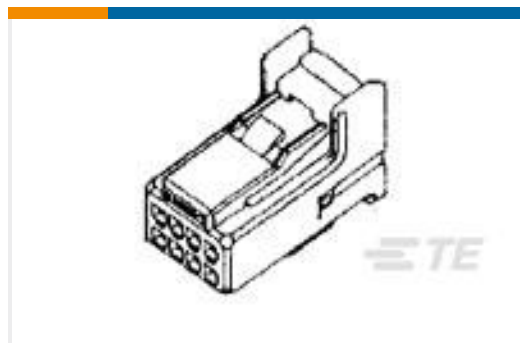


PCB Headers & Receptacles(163)

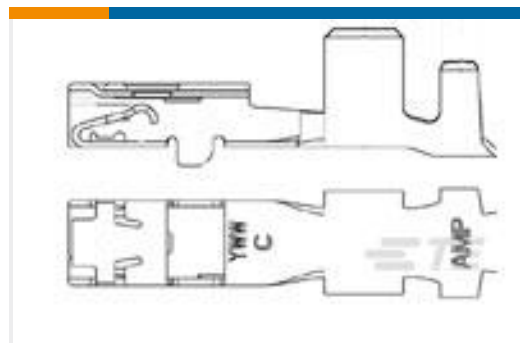
Customers Also Bought



TE Part #1734101-6
Champ050 series,60pos,Au over PdNi



TE Part #1376352-1
025 I/O PLUG HSG ASSY 8P



TE Part #1326030-2
2.8MM RECP,UNSEAL,18-20AWG



TE Part #1376109-1
025 TAB CONT



TE Part #1719957-1
GET 0.64 TERMINAL WIRE SIZE 0.



TE Part #1-1452842-3
22 POS FEMALE HSG ASSY



TE Part #2367817-2
DYNAMIC D1000 SL REC CONT M SIZE Au0.2



TE Part #2367819-2
DYNAMIC D1000SL TAB CONT M AU0.2 PLATING



TE Part #3-2366515-2
DYNAMIC D1000 SLIM REC HSG 12P X KEY



TE Part #368036-1
CLIP FOR 070 & EJ MK-II(DAEWOO

Documents



Product Drawings

025 IDC 8POS CAP ASSY W TO W

English

CAD Files

3D PDF

English

Customer View Model

[ENG_CVM_1473793-1_O.2d_dxf.zip](#)

English

Customer View Model

[ENG_CVM_1473793-1_O.3d_igs.zip](#)

English

Customer View Model

[ENG_CVM_1473793-1_O.3d_stp.zip](#)

English

By downloading the CAD file I accept and agree to the [Terms and Conditions](#) of use.

Datasheets & Catalog Pages

TH/.025 Connector Series

English

Product Specifications

Application Specification

Japanese

.025 IDC Connectors

Japanese

Application Specification

Japanese

Product Environmental Compliance

MD_1473793-1_05162018627_dmtec

English

MD_1473793-1_05162018627_dmtec

English

Instruction Sheets

025 WIRE TO WIRE MALE CONNECTOR

Japanese

Instruction Sheet (non U.S.)

Japanese

025 WIRE TO WIRE MALE CONNECTOR

Japanese

Instruction Sheet (non U.S.)

Japanese

1473793-1

Housing for Male Terminals, Wire-to-Wire, 8 Position, .087 in [2.2 mm] Centerline,
Natural, Signal, TH/.025 Connector System

