



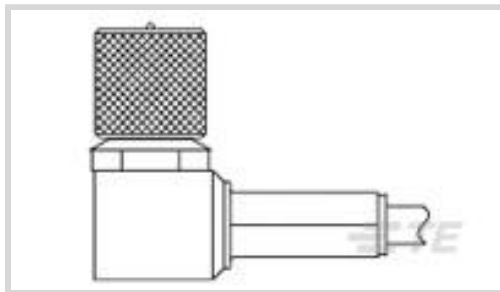
Microdot

TE Internal #: 1467950-1

SMB RF Interface, Plug, 50 Ω, Threaded, 1 Position, Sealable, Wire & Cable, Cable Mount (Free-Hanging), -55 – 125 °C, Crimp, Right Angle, Brass

[View on TE.com >](#)

Connectors > RF Connectors > Coax Connectors



RF Interface: **SMB**

RF Connector Style: **Plug**

RF Connector Mated Outer Diameter (Approximate): **4.75 mm [.187 in]**

Impedance: **50 Ω**

RF Connector Coupling Mechanism: **Threaded**

Features

Product Type Features

| | |
|-----------------------------------|--------------------|
| Connector Shape | Circular |
| Connector Product Type | Connector Assembly |
| Connector Seal & Plug Type | Gasket |
| RF Interface | SMB |
| RF Connector Style | Plug |
| Sealable | Yes |
| Connector & Contact Terminates To | Wire & Cable |

Configuration Features

| | |
|----------------------------|---|
| Number of Positions | 1 |
| Number of Coaxial Contacts | 1 |

Electrical Characteristics

| | |
|-----------|------|
| Impedance | 50 Ω |
|-----------|------|

Body Features

| | |
|-----------------------------|-------------|
| Cable Connector Orientation | Right Angle |
| Body Material | Brass |
| Body Material Finish | Plated |
| Body Plating Material | Gold |

Contact Features



| | |
|--|------|
| RF Connector Center Contact Plating Material | Gold |
|--|------|

| | |
|--------------------------------------|------------------|
| RF Connector Center Contact Material | Beryllium Copper |
|--------------------------------------|------------------|

Termination Features

| | |
|------------------------------------|-------|
| Termination Method to Wire & Cable | Crimp |
|------------------------------------|-------|

Mechanical Attachment

| | |
|---------------------------------|----------|
| RF Connector Coupling Mechanism | Threaded |
|---------------------------------|----------|

| | |
|-------------------------|----------------------------|
| Connector Mounting Type | Cable Mount (Free-Hanging) |
|-------------------------|----------------------------|

Dimensions

| | |
|---|-------------------|
| RF Connector Mated Outer Diameter (Approximate) | 4.75 mm [.187 in] |
|---|-------------------|

Usage Conditions

| | |
|-----------------------------|--------------|
| Operating Temperature Range | -55 – 125 °C |
|-----------------------------|--------------|

Packaging Features

| | |
|------------------|---------|
| Packaging Method | Package |
|------------------|---------|

Other

| | |
|---------------------|------------|
| Additional Features | Solderless |
|---------------------|------------|

| | |
|-------|------------|
| Grade | Commercial |
|-------|------------|

| | |
|---------------------|------|
| Dielectric Material | PTFE |
|---------------------|------|

Product Compliance

[For compliance documentation, visit the product page on TE.com>](#)

| | |
|------------------------------|---------------|
| EU RoHS Directive 2011/65/EU | Not Compliant |
|------------------------------|---------------|

| | |
|-----------------------------|---------------|
| EU ELV Directive 2000/53/EC | Not Compliant |
|-----------------------------|---------------|

| | |
|---|--------------------------------------|
| China RoHS 2 Directive MIIT Order No 32, 2016 | Restricted Materials Above Threshold |
|---|--------------------------------------|

| | |
|--|--|
| EU REACH Regulation (EC) No. 1907/2006 | <p>Current ECHA Candidate List: JUNE 2023 (235)</p> <p>Candidate List Declared Against: JAN 2022 (223)</p> <p>SVHC > Threshold:</p> <p>Pb (3.7% in Component)</p> |
|--|--|

Article Safe Usage Statements:
Do not eat, drink or smoke when using this product. Wash thoroughly after handling. Recycle if possible and dispose of the article by following all applicable governmental regulations relevant to your geographic location.

| | |
|-----------------|--------------------------------------|
| Halogen Content | Not Yet Reviewed for halogen content |
|-----------------|--------------------------------------|

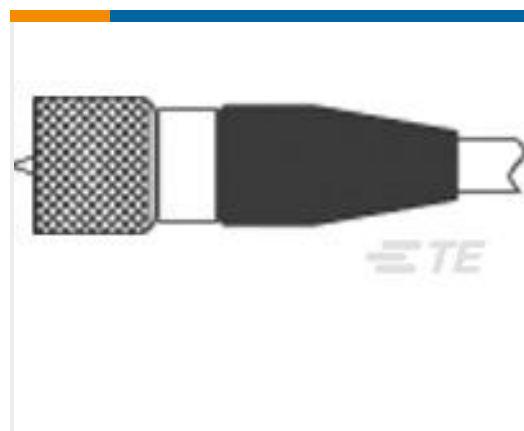
| | |
|---------------------------|------------------------------|
| Solder Process Capability | Wave solder capable to 265°C |
|---------------------------|------------------------------|

Product Compliance Disclaimer



This information is provided based on reasonable inquiry of our suppliers and represents our current actual knowledge based on the information they provided. This information is subject to change. The part numbers that TE has identified as EU RoHS compliant have a maximum concentration of 0.1% by weight in homogenous materials for lead, hexavalent chromium, mercury, PBB, PBDE, DBP, BBP, DEHP, DIBP, and 0.01% for cadmium, or qualify for an exemption to these limits as defined in the Annexes of Directive 2011/65/EU (RoHS2). Finished electrical and electronic equipment products will be CE marked as required by Directive 2011/65/EU. Components may not be CE marked. Additionally, the part numbers that TE has identified as EU ELV compliant have a maximum concentration of 0.1% by weight in homogenous materials for lead, hexavalent chromium, and mercury, and 0.01% for cadmium, or qualify for an exemption to these limits as defined in the Annexes of Directive 2000/53/EC (ELV). Regarding the REACH Regulation, the information TE provides on SVHC in articles for this part number is based on the latest European Chemicals Agency (ECHA) 'Guidance on requirements for substances in articles' posted at this URL: <https://echa.europa.eu/guidance-documents/guidance-on-reach>

Compatible Parts



TE Part # 1466292-1
032-0021-0001=PLUG,STR S-50

Customers Also Bought



TE Part #CB7764-000
RW-200-1/8-0-SP



TE Part #66569-2
20DF SOCKET,PLATED



TE Part #1838276-2
M12 Plas Fld Ser CONN. Female Skt Sldr



TE Part #NB-PTCO-005
Pt100, 2.0x2.3, Class C, PTFC101C1G0 Sldr



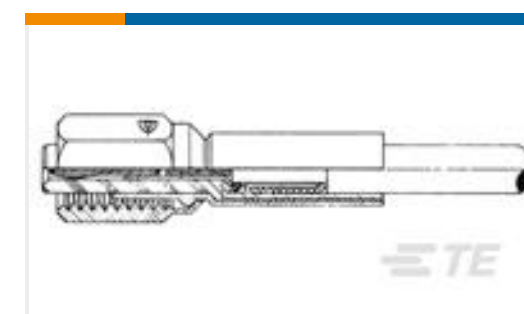
TE Part #620002-000
D-101-00



TE Part #1546670-2
2P .437" DR BARRIER,W/BND SCRWR



TE Part #1466294-1
03300010001



TE Part #2-1532006-8
142-0000-0002=PLUG,STRAIGHTS-



Documents

Product Drawings

[132-0116-0002](#)

English

CAD Files

[3D PDF](#)

3D

Customer View Model

[ENG_CVM_CVM_1467950-1_D.2d_dxf.zip](#)

English

Customer View Model

[ENG_CVM_CVM_1467950-1_D.3d_igs.zip](#)

English

Customer View Model

[ENG_CVM_CVM_1467950-1_D.3d_stp.zip](#)

English

By downloading the CAD file I accept and agree to the [Terms and Conditions](#) of use.

Datasheets & Catalog Pages

[Products for Aerospace and Defense](#)

English

Instruction Sheets

[Instruction Sheet \(U.S.\)](#)

English