

1452862-1 ✓ ACTIVE

AMP | MCON 1.2mm, MCON Interconnection System

TE Internal #: 1452862-1

Automotive Connector Caps & Covers, Cover Assembly, Cable Exit Angle 180°, Black, PBT GF, 96 Position, MCON Interconnection System

[View on TE.com >](#)



Connectors > Automotive Connectors > Automotive Connector Accessories > Automotive Connector Caps & Covers



Protection & Strain Relief Accessory Type: **Cover Assembly**

Cable Exit Angle: **180°**

Strain Relief: **With**

Primary Product Color: **Black**

Primary Product Material: **PBT GF**

Features

Product Type Features

Protection & Strain Relief Accessory Type	Cover Assembly
---	----------------

Configuration Features

Number of Positions	96
---------------------	----

Body Features

Cable Exit Angle	180°
Primary Product Color	Black
Primary Product Material	PBT GF

Mechanical Attachment

Strain Relief	With
---------------	------

Usage Conditions

Operating Temperature (Max)	70 °C, 75 °C, 80 °C, 85 °C, 90 °C, 100 °C [158 °F][167 °F][176 °F][185 °F][194 °F][212 °F]
Operating Temperature Range	-40 – 100 °C[-40 – 212 °F]

Packaging Features

Packaging Quantity	250
Packaging Method	Box



Product Compliance

[For compliance documentation, visit the product page on TE.com>](#)

EU RoHS Directive 2011/65/EU	Compliant
EU ELV Directive 2000/53/EC	Compliant
China RoHS 2 Directive MIIT Order No 32, 2016	No Restricted Materials Above Threshold
EU REACH Regulation (EC) No. 1907/2006	Current ECHA Candidate List: JUNE 2023 (235) Candidate List Declared Against: JUNE 2023 (235) Does not contain REACH SVHC
Halogen Content	BFR/CFR/PVC Free, but Br/Cl >900 ppm in other sources.
Solder Process Capability	Not applicable for solder process capability

Product Compliance Disclaimer

This information is provided based on reasonable inquiry of our suppliers and represents our current actual knowledge based on the information they provided. This information is subject to change. The part numbers that TE has identified as EU RoHS compliant have a maximum concentration of 0.1% by weight in homogenous materials for lead, hexavalent chromium, mercury, PBB, PBDE, DBP, BBP, DEHP, DIBP, and 0.01% for cadmium, or qualify for an exemption to these limits as defined in the Annexes of Directive 2011/65/EU (RoHS2). Finished electrical and electronic equipment products will be CE marked as required by Directive 2011/65/EU. Components may not be CE marked. Additionally, the part numbers that TE has identified as EU ELV compliant have a maximum concentration of 0.1% by weight in homogenous materials for lead, hexavalent chromium, and mercury, and 0.01% for cadmium, or qualify for an exemption to these limits as defined in the Annexes of Directive 2000/53/EC (ELV). Regarding the REACH Regulation, the information TE provides on SVHC in articles for this part number is based on the latest European Chemicals Agency (ECHA) 'Guidance on requirements for substances in articles' posted at this URL: <https://echa.europa.eu/guidance-documents/guidance-on-reach>

Compatible Parts

 <p>TE Part # 9-1452380-9 96 POS. CONNECTOR ASSY</p>	 <p>TE Part # 9-1563173-9 96POS,MCON-1.2 CB,REC HSG,ASSY</p>	 <p>TE Part # 9-1452423-9 96 POS. CONNECTOR ASSY</p>	 <p>TE Part # 1-2294803-1 96POS,MCON 1.2 CB,REC HSG,ASSY</p>
 <p>TE Part # 8-1452423-7 96 POS. PCM CPNECTOR</p>	 <p>TE Part # 8-1564284-1 96POS,MCON-1.2 CB,REC HSG,ASSY</p>	 <p>TE Part # 2-1564284-0 96POS,MCON-1.2 CB,REC HSG,ASSY</p>	 <p>TE Part # 2-1564284-5 96POS,MCON-1.2 CB,REC HSG,ASSY</p>




TE Part # 3-1564284-7
96POS,MCON-1.2 CB,REC HSG,ASSY



TE Part # 3-1564284-8
96POS,MCON-1.2 CB,REC HSG,ASSY



TE Part # 6-1564284-1
96POS,MCON-1.2 CB,REC HSG,ASSY




TE Part # 8-1452423-5
96 POS. PCM CPNNECTOR



TE Part # 8-1452423-8
96 POS. CONNECTOR ASSY



TE Part # 9-1563173-4
96POS,MCON-1.2 CB,REC HSG,ASSY



TE Part # 6-1452423-4
96 POS. PCM CPNNECTOR



TE Part # 4-1564284-0
96POS,MCON-1.2 CB,REC HSG,ASSY



TE Part # 4-1564284-5
96POS,MCON-1.2 CB,REC HSG,ASSY



TE Part # 4-1564284-6
96POS,MCON-1.2 CB,REC HSG,ASSY




TE Part # 4-1564284-7
96POS,MCON-1.2 CB,REC HSG,ASSY



TE Part # 4-1564284-8
96POS,MCON-1.2 CB,REC HSG,ASSY


Also in the Series | **MCON 1.2mm**




Automotive Connector Caps & Covers (9)




Automotive Connector Locks & Position Assurance (9)




Automotive Housings (21)




Automotive Terminals (16)



Connector Seals & Cavity Plugs (5)



Insertion & Extraction Tools (5)

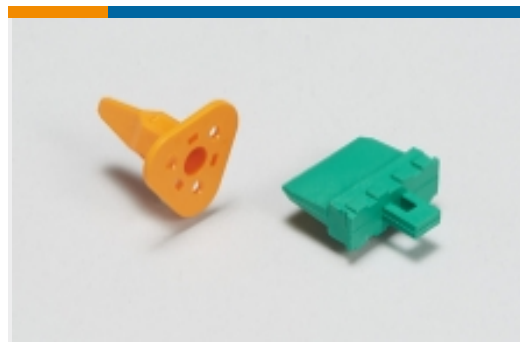


Other Automotive Connector Accessories (1)

Also in the Series | **MCON Interconnection System**



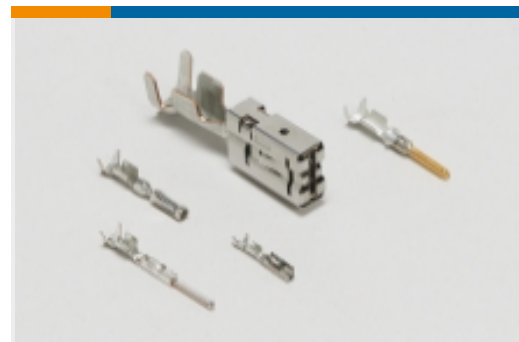
Automotive Connector Caps & Covers (24)



Automotive Connector Locks & Position Assurance(11)



Automotive Housings(320)



Automotive Terminals(122)



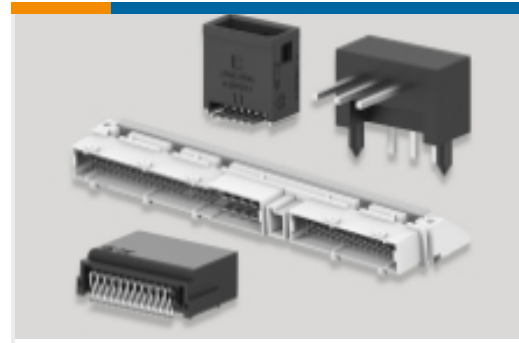
Connector Seals & Cavity Plugs(10)



Insertion & Extraction Tools(31)



Other Automotive Connector Accessories(2)

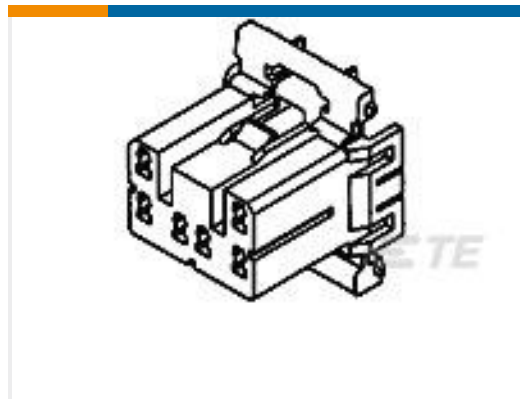


PCB Headers & Receptacles(2)

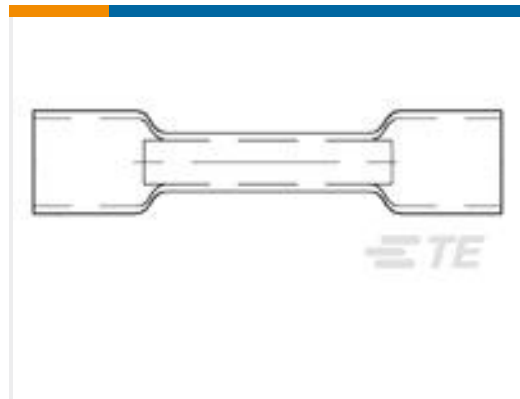
Customers Also Bought



TE Part #1-963226-1
Timer Connector Housing



TE Part #173850-2
070 MULTILOCK PLUG 8P



TE Part #603502-3
PRE-INSUL SEALED SPLICE 22-16



TE Part #1452388-1
2 LOCKING DEVI1.2



TE Part #9-1452415-9
58POS CONNECTOR ASSY F.
CONNECTOR154POS



TE Part #1-2066502-3
COVER 2 POS MINI FUSE BOX,MAT-2



TE Part #2177472-1
73POS, MIXED,REC HSG,ASSY,BK

Documents

Product Drawings
COVER 96POS. ASSY

English

CAD Files

3D PDF

English

Customer View Model

ENG_CVM_1452862-1_B.2d_dxf.zip



English

Customer View Model

[ENG_CVM_1452862-1_B.3d_igs.zip](#)

English

Customer View Model

[ENG_CVM_1452862-1_B.3d_stp.zip](#)

English

By downloading the CAD file I accept and agree to the [Terms and Conditions](#) of use.

Product Specifications

[Application Specification](#)

English