

1445763-1 ✓ ACTIVE

AMP Power Series - 50

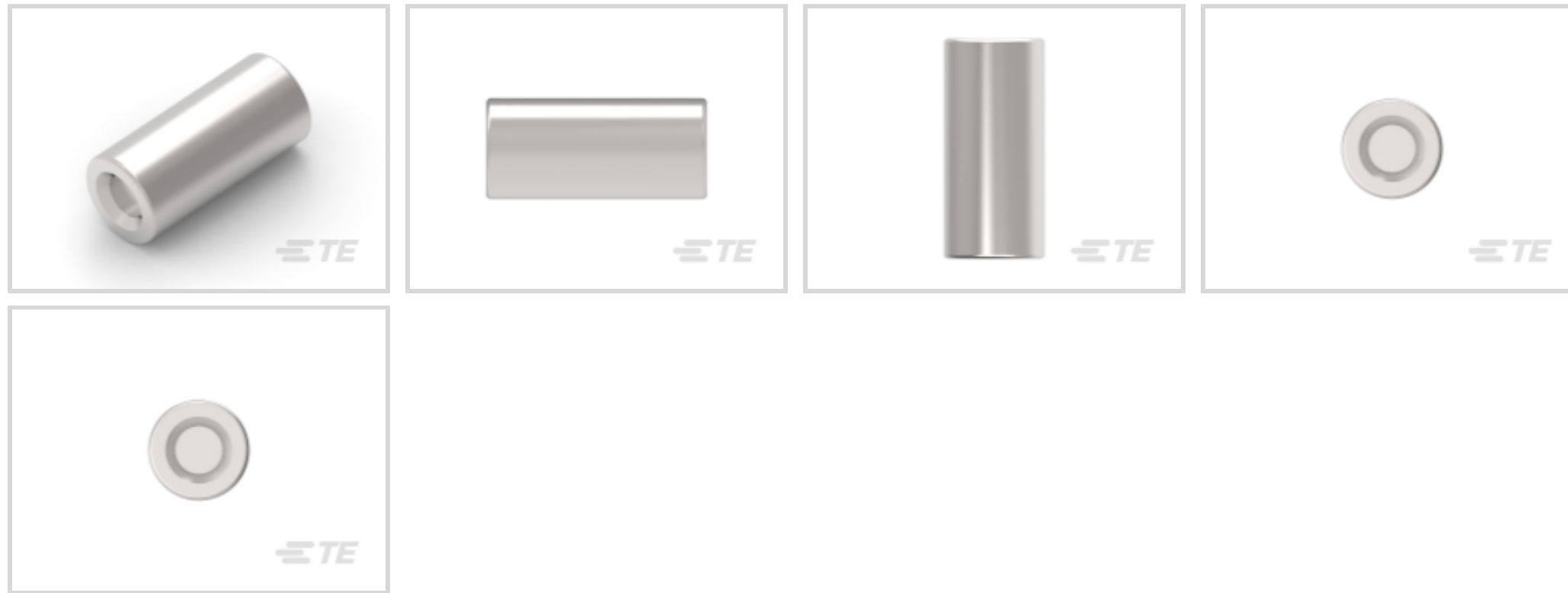
TE Internal #: 1445763-1

Rectangular Connector Adapters, Wire Reducer Bushing, UL, UL 94V-0, AMP Power Series - 50

[View on TE.com >](#)



Connectors > Rectangular Connectors > Rectangular Connector Accessories > Rectangular Connector Adapters > Reducing Bushing: 16-0 AWG



Connector Mounting Accessory Type: **Wire Reducer Bushing**

Agency/Standard: **UL**

UL Flammability Rating: **UL 94V-0**

[All Reducing Bushing: 16-0 AWG \(7\)](#)

Features

Product Type Features

Connector Mounting Accessory Type	Wire Reducer Bushing
-----------------------------------	----------------------

Electrical Characteristics

Operating Voltage	600 VAC
-------------------	---------

Body Features

Plating Thickness (Min)	1.27 μm [50 μin]
Primary Product Plating Material	Silver
Primary Product Material	Copper

Dimensions

Wire Size	7 – 14 mm ²
Product Width	5.4 mm[.213 in]
Product Length	11 mm[.433 in]
Product Height	5.4 mm[.213 in]

Industry Standards

UL Rating	Recognized
-----------	------------



Approved Standards	UL E28476
--------------------	-----------

Agency/Standard	UL
-----------------	----

UL Flammability Rating	UL 94V-0
------------------------	----------

Packaging Features

Packaging Quantity	1
--------------------	---

Packaging Method	Package
------------------	---------

Product Compliance

[For compliance documentation, visit the product page on TE.com>](#)

EU RoHS Directive 2011/65/EU	Compliant
------------------------------	-----------

EU ELV Directive 2000/53/EC	Compliant
-----------------------------	-----------

China RoHS 2 Directive MIIT Order No 32, 2016	No Restricted Materials Above Threshold
---	---

EU REACH Regulation (EC) No. 1907/2006	Current ECHA Candidate List: JUNE 2023 (235) Candidate List Declared Against: JUNE 2023 (235) Does not contain REACH SVHC
--	---

Halogen Content	Low Halogen - Br, Cl, F, I < 900 ppm per homogenous material. Also BFR/CFR/PVC Free
-----------------	---

Solder Process Capability	Not applicable for solder process capability
---------------------------	--

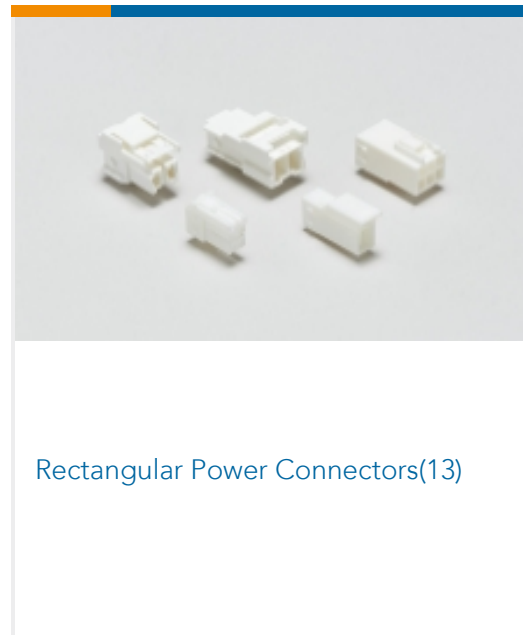
Product Compliance Disclaimer

This information is provided based on reasonable inquiry of our suppliers and represents our current actual knowledge based on the information they provided. This information is subject to change. The part numbers that TE has identified as EU RoHS compliant have a maximum concentration of 0.1% by weight in homogenous materials for lead, hexavalent chromium, mercury, PBB, PBDE, DBP, BBP, DEHP, DIBP, and 0.01% for cadmium, or qualify for an exemption to these limits as defined in the Annexes of Directive 2011/65/EU (RoHS2). Finished electrical and electronic equipment products will be CE marked as required by Directive 2011/65/EU. Components may not be CE marked. Additionally, the part numbers that TE has identified as EU ELV compliant have a maximum concentration of 0.1% by weight in homogenous materials for lead, hexavalent chromium, and mercury, and 0.01% for cadmium, or qualify for an exemption to these limits as defined in the Annexes of Directive 2000/53/EC (ELV). Regarding the REACH Regulation, the information TE provides on SVHC in articles for this part number is based on the latest European Chemicals Agency (ECHA) 'Guidance on requirements for substances in articles' posted at this URL: <https://echa.europa.eu/guidance-documents/guidance-on-reach>

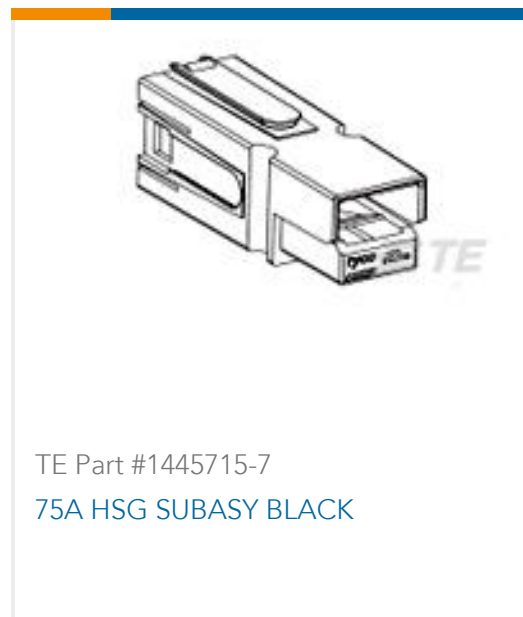
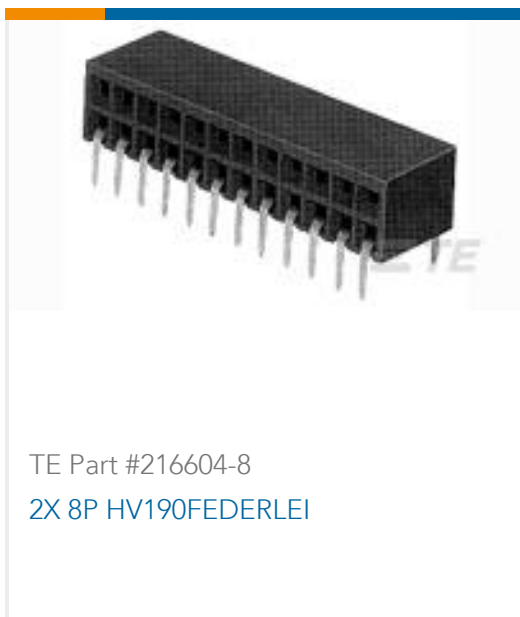
Compatible Parts



Also in the Series | AMP Power Series - 50



Customers Also Bought





Documents

Product Drawings

[REDUCING BUSHING,6 TO 14-16AWG](#)

English

CAD Files

Customer View Model

[ENG_CVM_CVM_1445763-1_C.2d_dxf.zip](#)

English

3D PDF

3D

Customer View Model

[ENG_CVM_CVM_1445763-1_C.3d_igs.zip](#)

English

Customer View Model

[ENG_CVM_CVM_1445763-1_C.3d_stp.zip](#)

English

By downloading the CAD file I accept and agree to the [Terms and Conditions](#) of use.

Datasheets & Catalog Pages

[POWER_CONNECTORS_CATALOG_SEC02_CABLE_MOUNTED](#)

English

[2_PIECE_POWER_CONNECTORS_qrg_4-1773458-1](#)

English

Product Specifications

[Application Specification](#)

English