

1445715-6 ✓ ACTIVE

AMP Power Series - 75

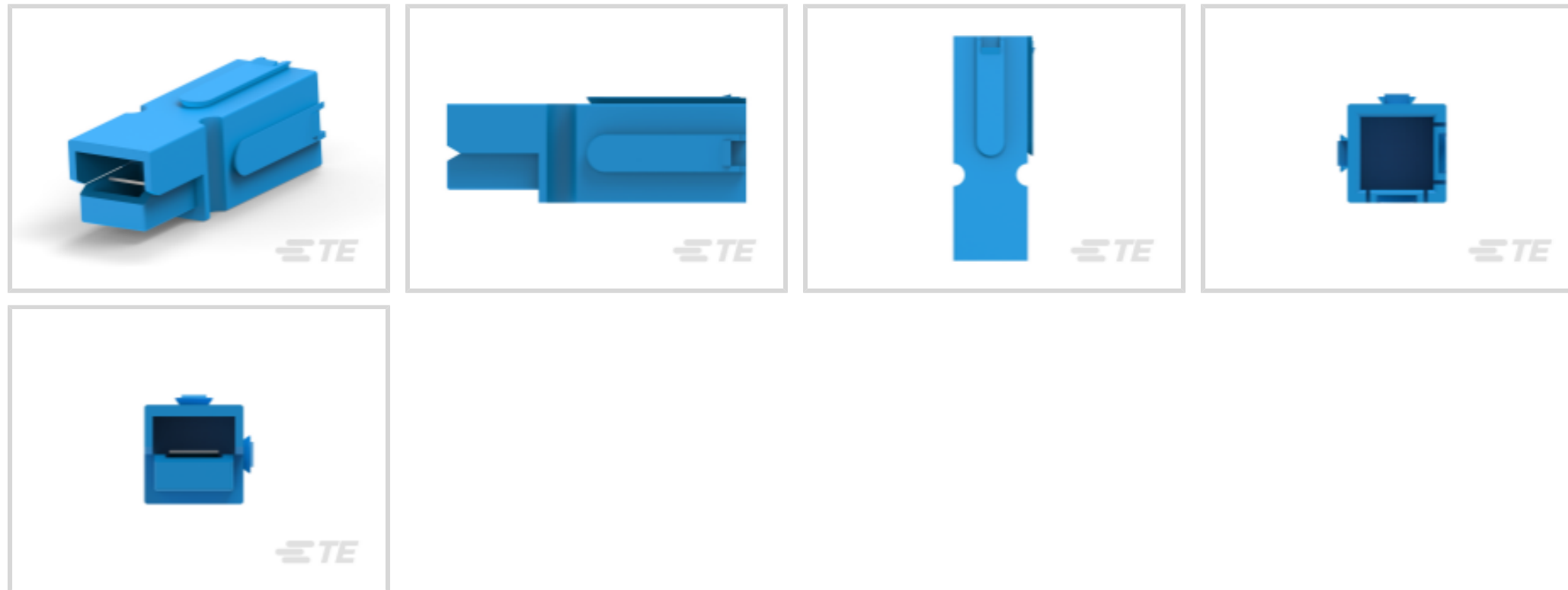
TE Internal #: 1445715-6

Rectangular Power Connectors, Housing, Receptacle / Plug, Wire-to-Wire, 1 Position, Wire & Cable, UL 94V-0, AMP Power Series - 75

[View on TE.com >](#)



Connectors > Power Connectors > Rectangular Power > Rectangular Power Connectors



Rectangular Power Connector Type: **Housing**

Connector & Housing Type: **Plug, Receptacle**

Connector System: **Wire-to-Wire**

Number of Positions: **1**

Sealable: **No**

Features

Product Type Features

Compatible With Discrete Wire Type	Stranded
Rectangular Power Connector Type	Housing
Connector & Housing Type	Plug, Receptacle
Connector System	Wire-to-Wire
Sealable	No
Connector & Contact Terminates To	Wire & Cable

Configuration Features

Number of Positions	1
Number of Rows	1

Electrical Characteristics

Operating Voltage	600 VDC
-------------------	---------

Contact Features

Contact Retention Within Housing	Without
Contact Type	Blade



Termination Features

Termination Method to Wire & Cable	Crimp
------------------------------------	-------

Mechanical Attachment

Panel Mount Feature	Without
Connector Mounting Type	Cable Mount (Free-Hanging)

Housing Features

Housing Color	Blue
Housing Material	Polycarbonate

Dimensions

Connector Height	17.15 mm[.675 in]
Product Width	17.15 mm[.675 in]
Product Length	48 mm[1.89 in]
Wire Size	25656 – 27629 CMA

Usage Conditions

Operating Temperature Range	-20 – 105 °C[-4 – 221 °F]
-----------------------------	---------------------------

Operation/Application

Circuit Application	Power
---------------------	-------

Industry Standards

UL Rating	Recognized
Agency/Standard	UL
Approved Standards	UL E28476
UL Flammability Rating	UL 94V-0
Glow Wire Rating	Standard Part - Not Glow Wire

Packaging Features

Packaging Quantity	300
Packaging Method	Bag & Box

Product Compliance

[For compliance documentation, visit the product page on TE.com>](#)

EU RoHS Directive 2011/65/EU	Compliant
EU ELV Directive 2000/53/EC	Compliant
China RoHS 2 Directive MIIT Order No 32, 2016	No Restricted Materials Above Threshold

EU REACH Regulation (EC) No. 1907/2006

Current ECHA Candidate List: JAN 2023
(233)Candidate List Declared Against: JAN 2021
(211)

Does not contain REACH SVHC

Halogen Content

Not Yet Reviewed for halogen content

Solder Process Capability

Not applicable for solder process capability

Product Compliance Disclaimer

This information is provided based on reasonable inquiry of our suppliers and represents our current actual knowledge based on the information they provided. This information is subject to change. The part numbers that TE has identified as EU RoHS compliant have a maximum concentration of 0.1% by weight in homogenous materials for lead, hexavalent chromium, mercury, PBB, PBDE, DBP, BBP, DEHP, DIBP, and 0.01% for cadmium, or qualify for an exemption to these limits as defined in the Annexes of Directive 2011/65/EU (RoHS2). Finished electrical and electronic equipment products will be CE marked as required by Directive 2011/65/EU. Components may not be CE marked. Additionally, the part numbers that TE has identified as EU ELV compliant have a maximum concentration of 0.1% by weight in homogenous materials for lead, hexavalent chromium, and mercury, and 0.01% for cadmium, or qualify for an exemption to these limits as defined in the Annexes of Directive 2000/53/EC (ELV). Regarding the REACH Regulation, the information TE provides on SVHC in articles for this part number is based on the latest European Chemicals Agency (ECHA) 'Guidance on requirements for substances in articles' posted at this URL: <https://echa.europa.eu/guidance-documents/guidance-on-reach>

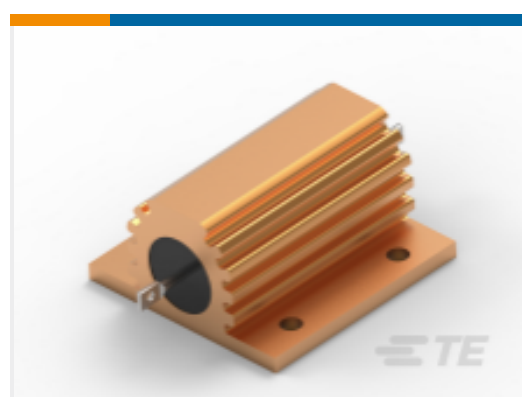
Compatible Parts



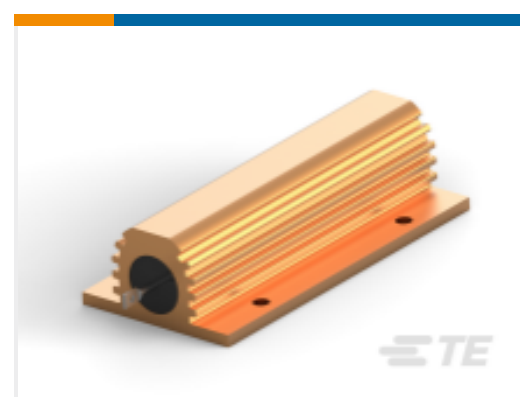
Also in the Series | AMP Power Series - 75



Customers Also Bought



TE Part #3-1625971-1
Power Resistor: Aluminum Housed,
HSA



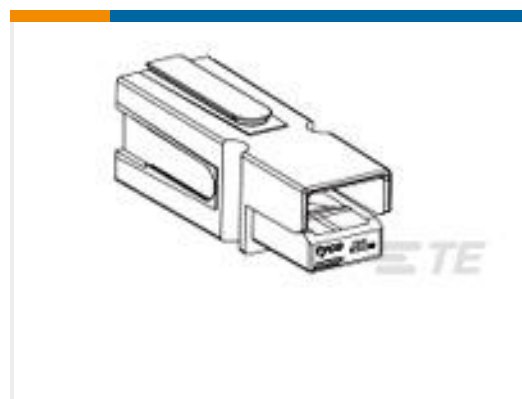
TE Part #1-1630027-0
Power Resistor: Aluminum Housed,
HSC



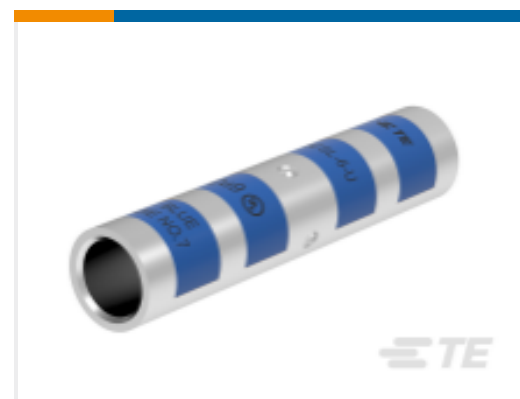
TE Part #K1060370
Relay 29-011-11



TE Part #66253-8
MALE CONTACT ASSY. (STRIP)



TE Part #1445715-5
75A HSG SUBASY RED



TE Part #EN3750-627
TC SL-1-U



TE Part #2278701-1
12POS, TAB1.0X0.6, HDR ASSY, 180DEG

Documents

Product Drawings

75A HSG SUBASY BLUE

English

CAD Files

3D PDF

3D

Customer View Model

[ENG_CVM_CVM_1445715-6_A.2d_dxf.zip](#)

English

Customer View Model

[ENG_CVM_CVM_1445715-6_A.3d_igs.zip](#)

English

Customer View Model

[ENG_CVM_CVM_1445715-6_A.3d_stp.zip](#)

English

By downloading the CAD file I accept and agree to the [Terms and Conditions](#) of use.

Datasheets & Catalog Pages

POWER_CONNECTORS_CATALOG_SEC02_CABLE_MOUNTED

English

2_PIECE_POWER_CONNECTORS_qrg_4-1773458-1

English

Product Specifications

Power Series 50 Connector Assemblies

English

1445715-6

Rectangular Power Connectors, Housing, Receptacle / Plug, Wire-to-Wire, 1 Position,
Wire & Cable, UL 94V-0, AMP Power Series - 75

