



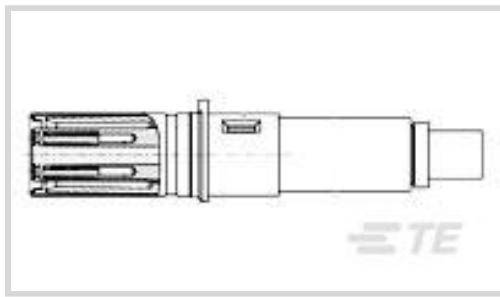
AMP

TE Internal #: 1445693-5

Rack & Panel Contacts, Socket, Size 8 Contact Size, Quadrax, Length 1.331 in [33.83 mm], Gold, Wire & Cable

[View on TE.com >](#)

Connectors > PCB Connectors > Backplane Connectors > Rack & Panel Backplane > Rack & Panel Contacts



Contact Type: **Socket**

Contact Size: **Size 8**

Rack & Panel Connector Contact Style: **Quadrax**

Contact Length: **33.83 mm [1.331 in]**

Contact Mating Area Plating Material: **Gold**

Features

Product Type Features

Compatible With RF Cable Type	DRAKA F4704-4
Sealable	Yes
Connector & Contact Terminates To	Wire & Cable

Electrical Characteristics

Impedance	100 Ω
-----------	-------

Body Features

Contact Removal Style	Rear Release/Rear Remove
-----------------------	--------------------------

Contact Features

Contact Orientation	Straight
Crimp Type	Hex
Contact Base Material	Copper
Contact Type	Socket
Contact Size	Size 8
Rack & Panel Connector Contact Style	Quadrax
Contact Length	33.83 mm[1.331 in]
Contact Mating Area Plating Material	Gold
Contact Current Rating (Max)	1 A

Termination Features

--	--



Termination Method to Wire & Cable	Crimp
------------------------------------	-------

Mechanical Attachment

Contact Retention Type Within Housing	Retention Clip
---------------------------------------	----------------

Usage Conditions

Operating Temperature Range	-65 – 125 °C[-85 – 257 °F]
-----------------------------	----------------------------

Operation/Application

Circuit Application	Signal
---------------------	--------

Identification Marking

Contact Color Code	Blue
--------------------	------

Packaging Features

Packaging Method	Package
------------------	---------

Other

Connector Contacts Comment	Used with Quadrax rectangular connectors.
----------------------------	---

Product Compliance

[For compliance documentation, visit the product page on TE.com>](#)

EU RoHS Directive 2011/65/EU	Compliant with Exemptions
------------------------------	---------------------------

EU ELV Directive 2000/53/EC	Compliant with Exemptions
-----------------------------	---------------------------

China RoHS 2 Directive MIIT Order No 32, 2016	Restricted Materials Above Threshold
---	--------------------------------------

EU REACH Regulation (EC) No. 1907/2006	<p>Current ECHA Candidate List: JUNE 2023 (235) Candidate List Declared Against: JAN 2022 (223) SVHC > Threshold: Pb (3.7% in Component Part)</p> <p>Article Safe Usage Statements: Do not eat, drink or smoke when using this product. Wash thoroughly after handling. Recycle if possible and dispose of the article by following all applicable governmental regulations relevant to your geographic location.</p>
--	---

Halogen Content	Low Halogen - Br, Cl, F, I < 900 ppm per homogenous material. Also BFR/CFR/PVC Free
-----------------	---


Solder Process Capability	Not applicable for solder process capability
---------------------------	--

Product Compliance Disclaimer

This information is provided based on reasonable inquiry of our suppliers and represents our current actual knowledge based on the information they provided. This information is subject to change. The part numbers that TE has identified as EU RoHS compliant have a maximum concentration of 0.1% by weight in homogenous materials for lead, hexavalent chromium, mercury, PBB, PBDE, DBP, BBP, DEHP, DIBP, and 0.01% for cadmium, or qualify for an exemption to these limits as defined in the Annexes of Directive 2011/65/EU (RoHS2). Finished electrical and electronic equipment products

will be CE marked as required by Directive 2011/65/EU. Components may not be CE marked. Additionally, the part numbers that TE has identified as EU ELV compliant have a maximum concentration of 0.1% by weight in homogenous materials for lead, hexavalent chromium, and mercury, and 0.01% for cadmium, or qualify for an exemption to these limits as defined in the Annexes of Directive 2000/53/EC (ELV). Regarding the REACH Regulation, the information TE provides on SVHC in articles for this part number is based on the latest European Chemicals Agency (ECHA) 'Guidance on requirements for substances in articles' posted at this URL: <https://echa.europa.eu/guidance-documents/guidance-on-reach>

Compatible Parts

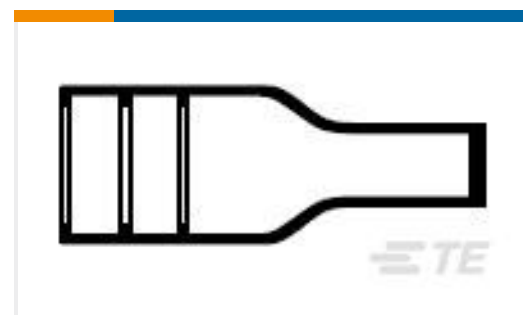


TE Part # 1976593-6
TOOLS, INS, GB & GA QUADRAX

Customers Also Bought



TE Part #608633-000
D-150-0232



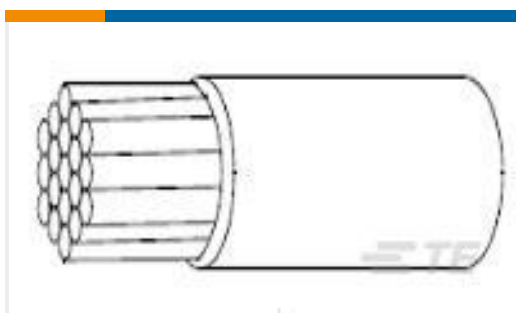
TE Part #811216-000
202D121-12-0



TE Part #679968-000
SO96-1-01



TE Part #620068-000
D-108-10



TE Part #5359893001
55K9081-24-9




TE Part #873289-000
D-150-0237



TE Part #ZPF000000000163673
983-6RS 14-07 SY



TE Part #ZPF000000000039684
983-7SE 20-25 S6



TE Part #YD369-R9A-NS100000
369 8 WAY REC, CRIMP, SPECIAL, SKT

Documents

[Product Drawings](#)



SOCKET CONTACT,QUADRAX,SZ8,RR

English

CAD Files

3D PDF

3D

Customer View Model

[ENG_CVM_CVM_1445693-5_M.2d_dxf.zip](#)

English

Customer View Model

[ENG_CVM_CVM_1445693-5_M.3d_igs.zip](#)

English

Customer View Model

[ENG_CVM_CVM_1445693-5_M.3d_stp.zip](#)

English

By downloading the CAD file I accept and agree to the [Terms and Conditions](#) of use.

Datasheets & Catalog Pages

[DEUTSCH MIL-DTL-38999 CIRCULAR CONNECTORS](#)

English

Product Specifications

[Application Specification](#)

English

Product Environmental Compliance

[TE Material Declaration](#)

English