

1445626-1 ✓ ACTIVE

AMP | AMP Quadrax

TE Internal #: 1445626-1

Rack & Panel Contacts, Pin, Size 8 Contact Size, Quadrax, Gold Flash, Printed Circuit Board, AMP Quadrax

[View on TE.com >](#)



Connectors > PCB Connectors > Backplane Connectors > Rack & Panel Backplane > Rack & Panel Contacts



Contact Type: **Pin**

Contact Size: **Size 8**

Rack & Panel Connector Contact Style: **Quadrax**

Contact Mating Area Plating Material: **Gold Flash**

Sealable: **Yes**

Features

Product Type Features

Sealable	Yes
Connector & Contact Terminates To	Printed Circuit Board

Electrical Characteristics

Impedance	100 Ω
-----------	--------------

Body Features

Contact Removal Style	Front Release/Front Remove
-----------------------	----------------------------

Contact Features

Contact Orientation	Straight
Crimp Type	Hex
Contact Base Material	Copper
Contact Type	Pin
Contact Size	Size 8
Rack & Panel Connector Contact Style	Quadrax
Contact Mating Area Plating Material	Gold Flash
Contact Current Rating (Max)	1 A

Termination Features

Termination Method to Printed Circuit Board	Through Hole - Solder
---	-----------------------

Mechanical Attachment



Contact Retention Type Within Housing	Snap-In
---------------------------------------	---------

Operation/Application

Solder Process Feature	Solder Dipped
Circuit Application	Signal

Identification Marking

Contact Color Code	None
--------------------	------

Packaging Features

Packaging Method	Package
------------------	---------

Product Compliance

[For compliance documentation, visit the product page on TE.com>](#)

EU RoHS Directive 2011/65/EU	Compliant with Exemptions
------------------------------	---------------------------

EU ELV Directive 2000/53/EC	Compliant with Exemptions
-----------------------------	---------------------------

China RoHS 2 Directive MIIT Order No 32, 2016	Restricted Materials Above Threshold
---	--------------------------------------

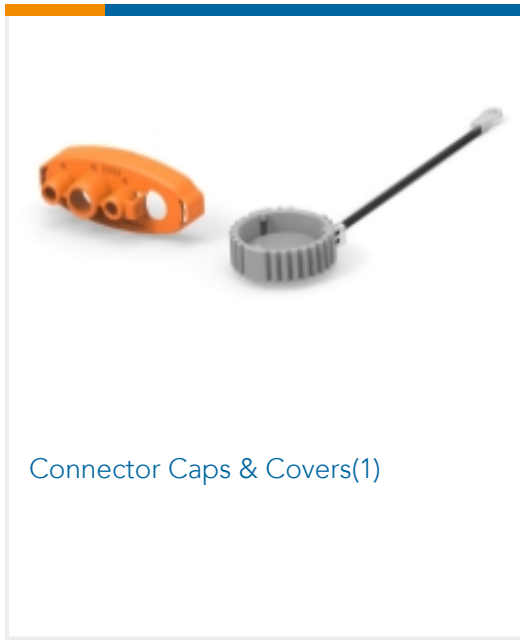
EU REACH Regulation (EC) No. 1907/2006	<p>Current ECHA Candidate List: JUNE 2023 (235) Candidate List Declared Against: JUNE 2023 (235) SVHC > Threshold: Pb (3.7% in Component Part)</p> <p>Article Safe Usage Statements: Do not eat, drink or smoke when using this product. Wash thoroughly after handling. Recycle if possible and dispose of the article by following all applicable governmental regulations relevant to your geographic location.</p>
--	--

Halogen Content	Low Halogen - Br, Cl, F, I < 900 ppm per homogenous material. Also BFR/CFR/PVC Free
-----------------	---

Solder Process Capability	Wave solder capable to 260°C
---------------------------	------------------------------

Product Compliance Disclaimer

This information is provided based on reasonable inquiry of our suppliers and represents our current actual knowledge based on the information they provided. This information is subject to change. The part numbers that TE has identified as EU RoHS compliant have a maximum concentration of 0.1% by weight in homogenous materials for lead, hexavalent chromium, mercury, PBB, PBDE, DBP, BBP, DEHP, DIBP, and 0.01% for cadmium, or qualify for an exemption to these limits as defined in the Annexes of Directive 2011/65/EU (RoHS2). Finished electrical and electronic equipment products will be CE marked as required by Directive 2011/65/EU. Components may not be CE marked. Additionally, the part numbers that TE has identified as EU ELV compliant have a maximum concentration of 0.1% by weight in homogenous materials for lead, hexavalent chromium, and mercury, and 0.01% for cadmium, or qualify for an exemption to these limits as defined in the Annexes of Directive 2000/53/EC (ELV). Regarding the REACH Regulation, the information TE provides on SVHC in articles for this part number is based on the latest European Chemicals Agency (ECHA) 'Guidance on requirements for substances in articles' posted at this URL: <https://echa.europa.eu/guidance-documents/guidance-on-reach>



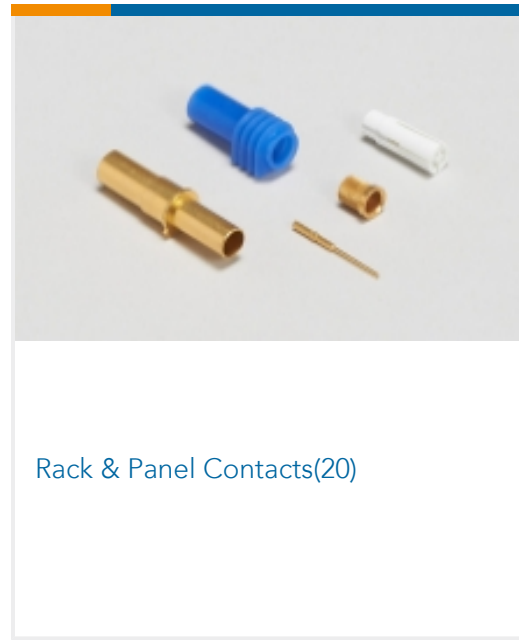
Connector Caps & Covers(1)



Other Rack & Panel Accessories(2)

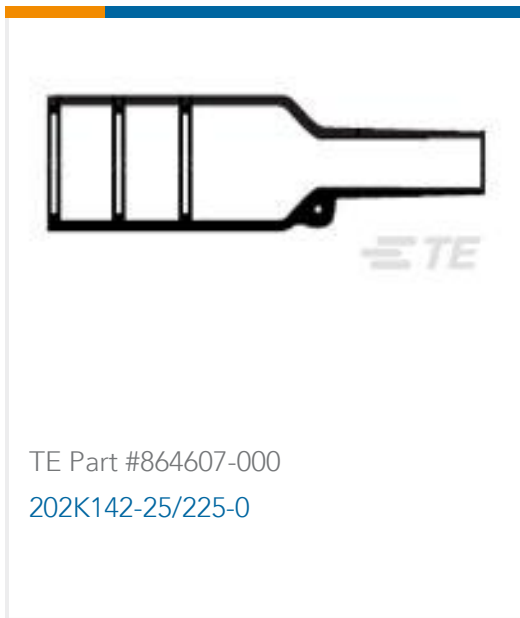


Rack & Panel Connectors(68)

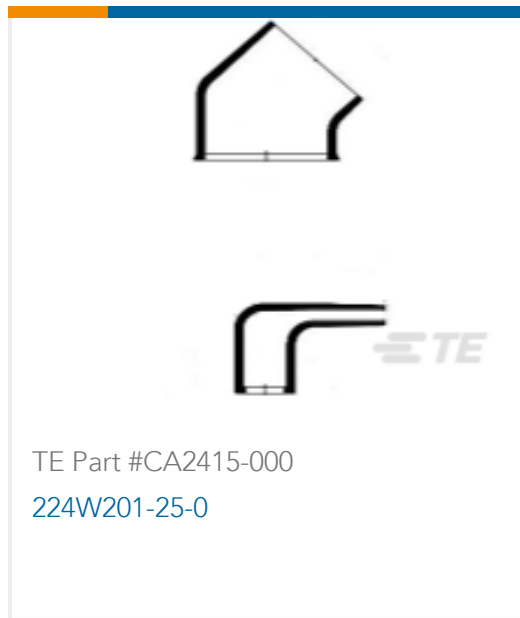


Rack & Panel Contacts(20)

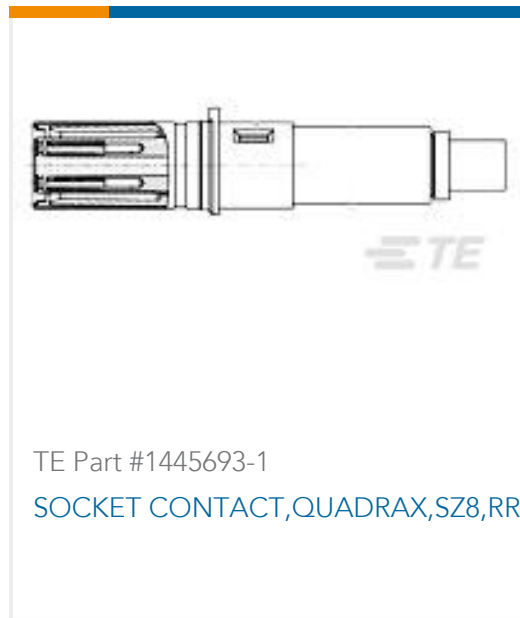
Customers Also Bought



TE Part #864607-000
202K142-25/225-0



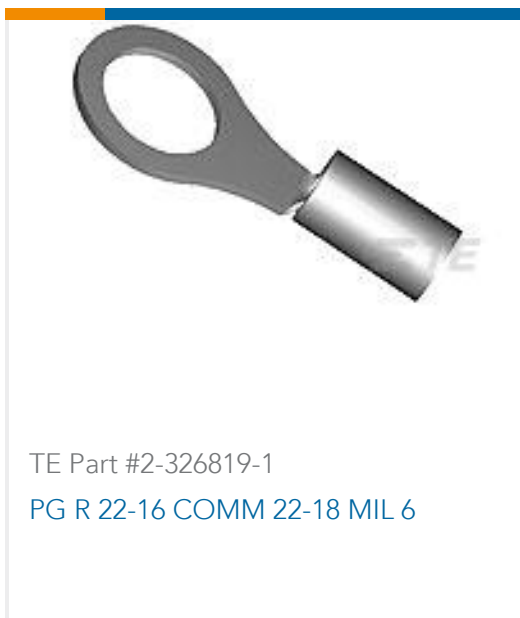
TE Part #CA2415-000
224W201-25-0



TE Part #1445693-1
SOCKET CONTACT,QUADRAX,SZ8,RR



TE Part #1841-1-5620
CONT PIN



TE Part #2-326819-1
PG R 22-16 COMM 22-18 MIL 6



TE Part #A65903-000
S200-3-00



TE Part #282314-003
81044/12-22-2



TE Part #F92583-000
S200-1-00



TE Part #E32454-000
S200-4-00



TE Part #A77145-000
S200-3-01

Documents

Product Drawings

[CONTACT,PIN QUADRAX,SZ8,FR,PST](#)

English

CAD Files

[3D PDF](#)

[3D](#)

[Customer View Model](#)

[ENG_CVM_CVM_1445626-1_M.2d_dxf.zip](#)



English

Customer View Model

[ENG_CVM_CVM_1445626-1_M.3d_igs.zip](#)

English

Customer View Model

[ENG_CVM_CVM_1445626-1_M.3d_stp.zip](#)

English

By downloading the CAD file I accept and agree to the [Terms and Conditions](#) of use.

Datasheets & Catalog Pages

[Quadrax Contacts, Connectors and Cables Brochure](#)

English

Product Specifications

[Application Specification](#)

English