

144431-1 ✓ ACTIVE

AMP | Junior Power Timer

TE Internal #: 144431-1

Automotive Terminals, Receptacle, Mating Tab Width 2.8 mm [.11 in], Tab Thickness .8 mm [.031 in], 22 – 17 AWG Wire Size, Junior Power Timer

[View on TE.com >](#)



Terminals & Splices > Automotive Terminals > TIMER, RECEPTACLE AND TAB



Terminal Type: **Receptacle**

Mating Tab Width: **2.8 mm [.11 in]**

Mating Tab Thickness: **.8 mm [.031 in]**

Terminal Transmits: **0 – 24 A (Low Power)**

Wire Size: **22 – 17 AWG**

[All TIMER, RECEPTACLE AND TAB \(348\)](#)

## Features

### Product Type Features

Receptacle Style	180°
Sealable	No
Primary Locking Feature	Locking Lance

### Contact Features

Contact Size	2.8mm
Contact Fabrication	Stamped & Formed
Wire Contact Termination Area Plating Material	Tin
Typical Current Rating	5 A
Crimp Type	F-Crimp
Terminal Type	Receptacle
Mating Tab Width	2.8 mm [.11 in]
Mating Tab Thickness	.8 mm [.031 in]
Interface Plating	Tin (Sn)

### Termination Features

Termination Method to Wire & Cable	Crimp
Product Terminates To	Wire

### Dimensions

Compatible Insulation Diameter Range	2.15 mm[.084 in]
Wire Size	.35 – 1 mm <sup>2</sup>
Wire Size Search	17 AWG, 18 AWG, 19 AWG, 20 AWG, 21 AWG, 22 AWG

### Usage Conditions

Insulation Option	Uninsulated
Operating Temperature (Max)	80 °C, 85 °C, 90 °C, 100 °C[176 °F][185 °F] [194 °F][212 °F]
Operating Temperature Range	-40 – 100 °C[-40 – 212 °F]

### Operation/Application

Compatible With Wire Base Material	Copper
------------------------------------	--------

### Packaging Features

Packaging Quantity	4000
Packaging Method	Reel

### Other

Terminal Transmits	0 – 24 A (Low Power)
--------------------	----------------------

### Product Compliance

[For compliance documentation, visit the product page on TE.com>](#)

EU RoHS Directive 2011/65/EU	Compliant
EU ELV Directive 2000/53/EC	Compliant
China RoHS 2 Directive MIIT Order No 32, 2016	No Restricted Materials Above Threshold
EU REACH Regulation (EC) No. 1907/2006	Current ECHA Candidate List: JUNE 2023 (235) Candidate List Declared Against: JUNE 2023 (235) Does not contain REACH SVHC
Halogen Content	Low Halogen - Br, Cl, F, I < 900 ppm per homogenous material. Also BFR/CFR/PVC Free
Solder Process Capability	Not applicable for solder process capability

#### Product Compliance Disclaimer

This information is provided based on reasonable inquiry of our suppliers and represents our current actual knowledge based on the information they provided. This information is subject to change. The part numbers that TE has identified as EU RoHS compliant have a maximum concentration of 0.1% by weight in homogenous materials for lead, hexavalent

chromium, mercury, PBB, PBDE, DBP, BBP, DEHP, DIBP, and 0.01% for cadmium, or qualify for an exemption to these limits as defined in the Annexes of Directive 2011/65/EU (RoHS2). Finished electrical and electronic equipment products will be CE marked as required by Directive 2011/65/EU. Components may not be CE marked. Additionally, the part numbers that TE has identified as EU ELV compliant have a maximum concentration of 0.1% by weight in homogenous materials for lead, hexavalent chromium, and mercury, and 0.01% for cadmium, or qualify for an exemption to these limits as defined in the Annexes of Directive 2000/53/EC (ELV). Regarding the REACH Regulation, the information TE provides on SVHC in articles for this part number is based on the latest European Chemicals Agency (ECHA) 'Guidance on requirements for substances in articles' posted at this URL: <https://echa.europa.eu/guidance-documents/guidance-on-reach>

## Compatible Parts



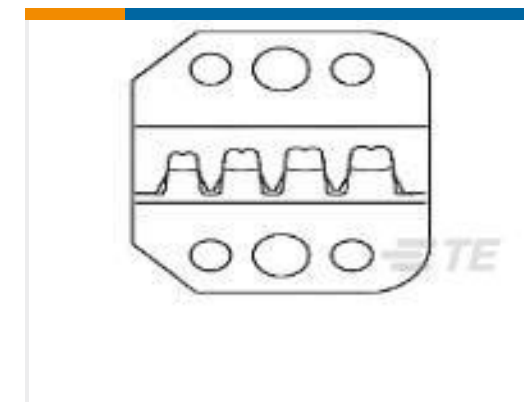
TE Part # 1579007-1  
AUSDRUECKWERKZEUG



TE Part # 2305570-1  
Strip Terminal Cutter-Side Feed-No Crimp



TE Part # CAT-T4827-CH8172  
Timer Connector Housing



TE Part # 58570-2  
PRO-CRIMPER DIE JR POWER TIMER



TE Part # 185402-1  
MODULAR RELAY HOLDER



TE Part # 3-1579007-1  
EXTRATION TOOL



TE Part # 185402-2  
MODULAR RELAY HOLDER



TE Part # 2-2266633-1  
OCEAN-2.0-APPLICATOR-S-070F110OV



TE Part # 2-2266633-2  
OCEAN-2.0-APPLICATOR-S-070F110OV



TE Part # 2266633-1  
OCEAN-2.0-APPLICATOR-S-070F110OV



TE Part # 2266633-2  
OCEAN-2.0-APPLICATOR-S-070F110OV



TE Part # 7-2266633-1  
OCEAN-2.0-APPLICATOR-S-070F110OV



TE Part # 7-2266633-2  
OCEAN-2.0-APPLICATOR-S-070F110OV



TE Part # 7-2266633-7  
OCEAN\_2.0\_SPARE\_PART\_KIT-070F110OV



TE Part # 144473-7  
CET 2 POS ASSY JPT



TE Part # 185402-3  
MODULAR RELAY HOLDER



TE Part # 144471-5  
CET 2 POS ASSY JPT



TE Part # 144473-6  
CET 2 POS ASSY JPT



TE Part # 144169-1  
8 POSITIONS MODULE



TE Part # 144473-2  
CET 2 POS ASSY JPT

## Also in the Series | Junior Power Timer



Automotive Connector Caps & Covers (5)



Automotive Housings(252)



Automotive Terminals(86)



Busbars & Terminals(1)



Connector Seals & Cavity Plugs(10)



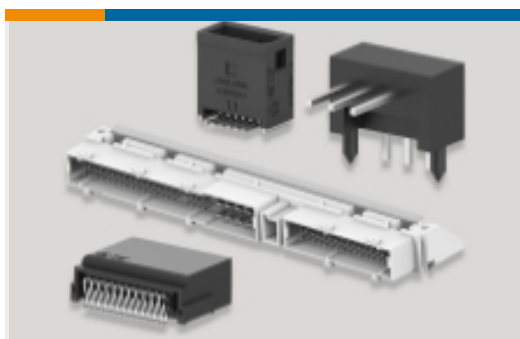
Insertion & Extraction Tools(8)



Module Components(6)

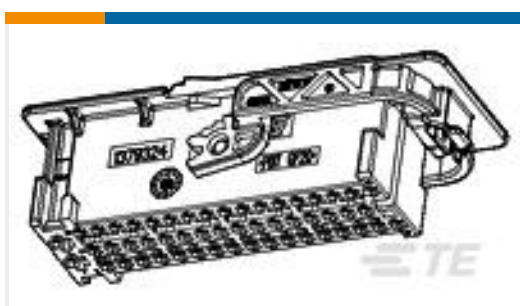


Other Automotive Connector Accessories(1)



PCB Headers & Receptacles(1)

## Customers Also Bought



TE Part #1379324-1  
52W HYB REC HSG ASSY BLAC



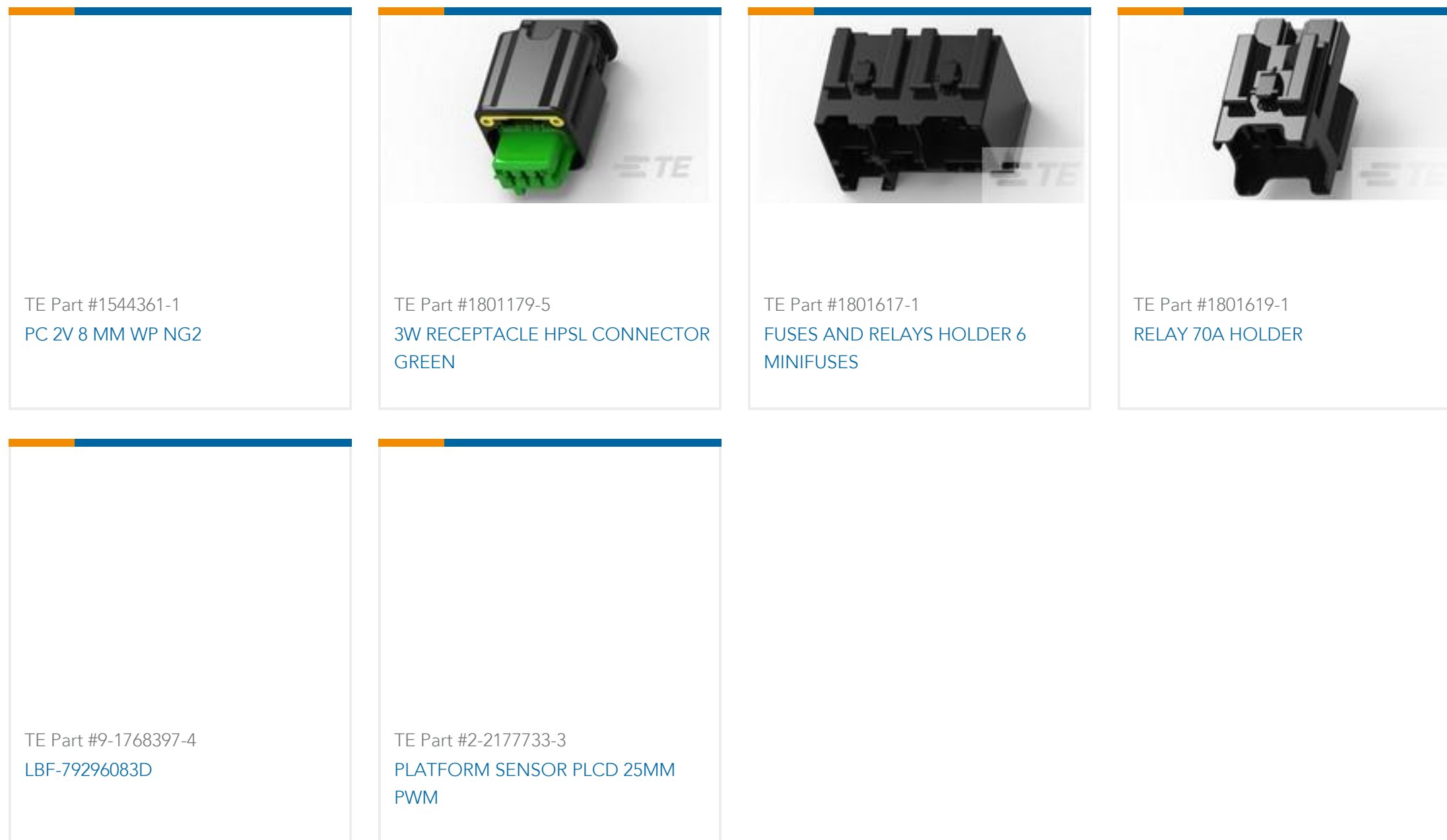
TE Part #CP4937-000  
ES2000-NO.4-B7-0-STK-SH



TE Part #CH03576001  
QSZH-125-NR3-35MM



TE Part #185402-1  
MODULAR RELAY HOLDER



## Documents

### Product Drawings

[JPT F REC 2.8 Contact SRC Sn](#)

English

### CAD Files

[3D PDF](#)

3D

Customer View Model

[ENG\\_CVM\\_CVM\\_144431-1\\_M.2d\\_dxf.zip](#)

English

Customer View Model

[ENG\\_CVM\\_CVM\\_144431-1\\_M.3d\\_igs.zip](#)

English

Customer View Model

[ENG\\_CVM\\_CVM\\_144431-1\\_M.3d\\_stp.zip](#)

English

By downloading the CAD file I accept and agree to the [Terms and Conditions](#) of use.

### Datasheets & Catalog Pages

[Timer Interconnection System](#)

English

### Product Specifications

[Application Specification](#)

French