

1438894-2 ✓ ACTIVE

FAKRA RF Connector System

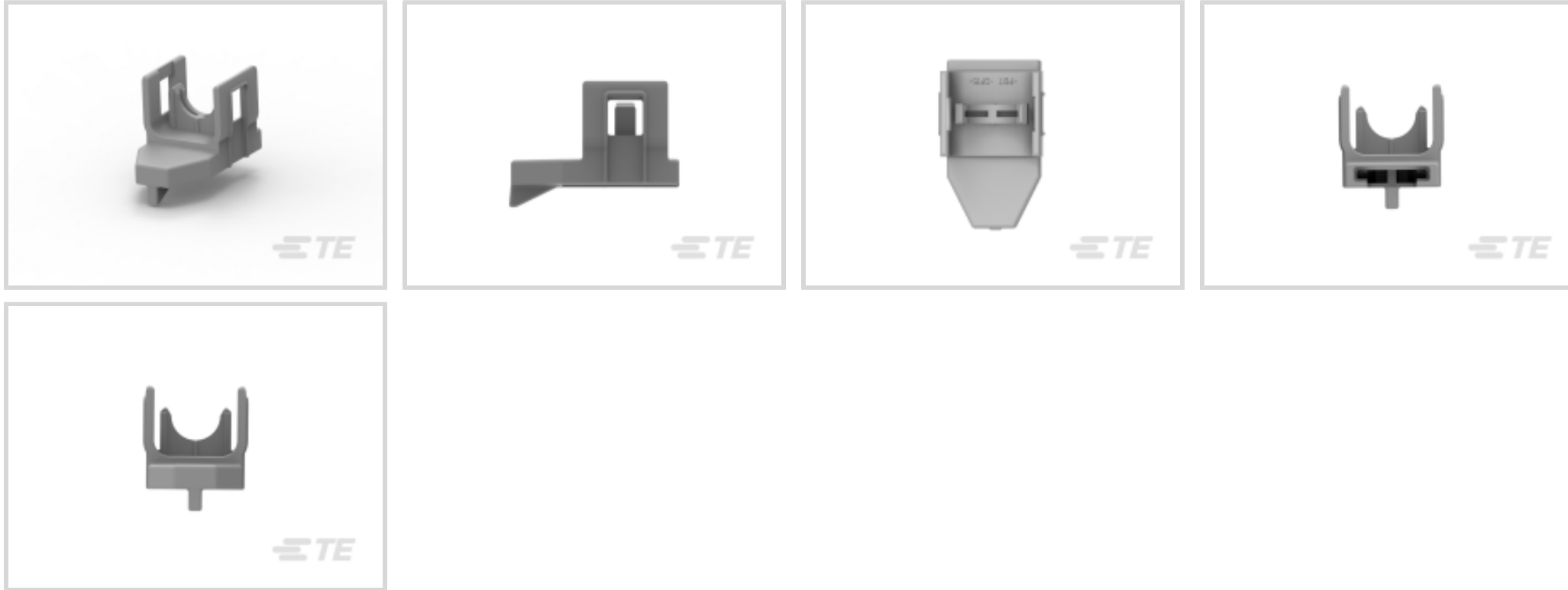
TE Internal #: 1438894-2

Other Automotive Connector Accessories, Locking Device, PBT, Gray, -40 – 85 °C [-40 – 185 °F], FAKRA RF Connector System

[View on TE.com >](#)



Connectors > Automotive Connectors > Automotive Connector Accessories > Other Automotive Connector Accessories



Automotive Connector Accessory Type: **Locking Device**

Primary Product Material: **PBT**

Primary Product Color: **Gray**

Operating Temperature Range: **-40 – 85 °C [-40 – 185 °F]**

Features

Product Type Features

Automotive Connector Accessory Type	Locking Device
-------------------------------------	----------------

Body Features

Primary Product Material	PBT
Primary Product Color	Gray

Usage Conditions

Operating Temperature Range	-40 – 85 °C[-40 – 185 °F]
-----------------------------	---------------------------

Industry Standards

Agency/Standard	USCAR
-----------------	-------

Packaging Features

Packaging Quantity	6000
Packaging Method	Bag & Box

Other

Serviceable	Yes
-------------	-----

Product Compliance



[For compliance documentation, visit the product page on TE.com>](#)

EU RoHS Directive 2011/65/EU	Compliant
EU ELV Directive 2000/53/EC	Compliant
China RoHS 2 Directive MIIT Order No 32, 2016	No Restricted Materials Above Threshold
EU REACH Regulation (EC) No. 1907/2006	Current ECHA Candidate List: JUNE 2023 (235) Candidate List Declared Against: JUNE 2023 (235) Does not contain REACH SVHC
Halogen Content	Low Halogen - Br, Cl, F, I < 900 ppm per homogenous material. Also BFR/CFR/PVC Free
Solder Process Capability	Not applicable for solder process capability

Product Compliance Disclaimer

This information is provided based on reasonable inquiry of our suppliers and represents our current actual knowledge based on the information they provided. This information is subject to change. The part numbers that TE has identified as EU RoHS compliant have a maximum concentration of 0.1% by weight in homogenous materials for lead, hexavalent chromium, mercury, PBB, PBDE, DBP, BBP, DEHP, DIBP, and 0.01% for cadmium, or qualify for an exemption to these limits as defined in the Annexes of Directive 2011/65/EU (RoHS2). Finished electrical and electronic equipment products will be CE marked as required by Directive 2011/65/EU. Components may not be CE marked. Additionally, the part numbers that TE has identified as EU ELV compliant have a maximum concentration of 0.1% by weight in homogenous materials for lead, hexavalent chromium, and mercury, and 0.01% for cadmium, or qualify for an exemption to these limits as defined in the Annexes of Directive 2000/53/EC (ELV). Regarding the REACH Regulation, the information TE provides on SVHC in articles for this part number is based on the latest European Chemicals Agency (ECHA) 'Guidance on requirements for substances in articles' posted at this URL: <https://echa.europa.eu/guidance-documents/guidance-on-reach>

Compatible Parts

 <p>TE Part # 1-1438893-2 PLUG HOUSING, 1 POSITION, 180 DEGREE, FA</p>	 <p>TE Part # 1438887-3 JACK HOUSING, 1 POSITION, 180 DEGREE, FA</p>	 <p>TE Part # 1438887-4 JACK HOUSING, 1 POSITION, 180 DEGREE, FA</p>	 <p>TE Part # 1438887-5 JACK HOUSING, 1 POSITION, 180 DEGREE, FA</p>
 <p>TE Part # 1438887-6 JACK HOUSING, 1 POSITION, 180 DEGREE, FA</p>	 <p>TE Part # 1438893-3 PLUG HOUSING, 1 POSITION, 180 DEGREE, FA</p>	 <p>TE Part # 1438893-9 PLUG HOUSING, 1 POSITION, 180 DEGREE, FA</p>	 <p>TE Part # 2138495-1 PLUG HOUSING, 1 POSITION, FAKRA, Key A</p>




TE Part # 2138711-1
JACK HOUSING, 1 POSITION, 180



TE Part # 5-2098287-6
Plug KIT, 1 POS, RTK031, Key F, clp slt



TE Part # 5-2098288-1
Jack KIT, 1 POS, RTK031, Key A, clp clt



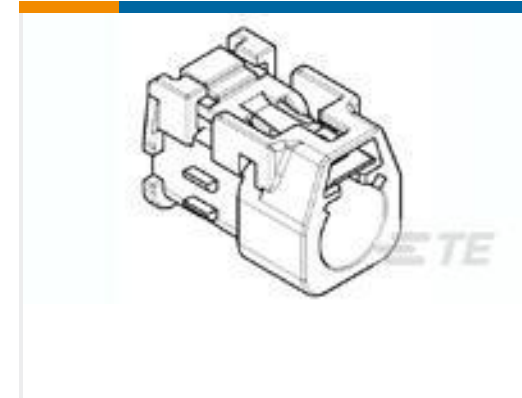
TE Part # 5-2098288-4
Jack KIT, 1 POS, RTK031, Key D, clp slt



TE Part # 5-2138894-4
PLUG KIT, UNASM, 1 POS, RG-58, HD, D,CS



TE Part # 1-1438887-0
JACK HOUSING, 1 POSITION, 180 DEGREE, FA



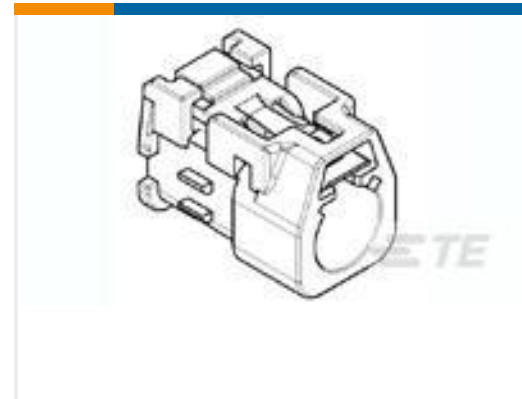
TE Part # 1-2138495-0
PLUG HOUSING, 1 POSITION, FAKRA, Key K



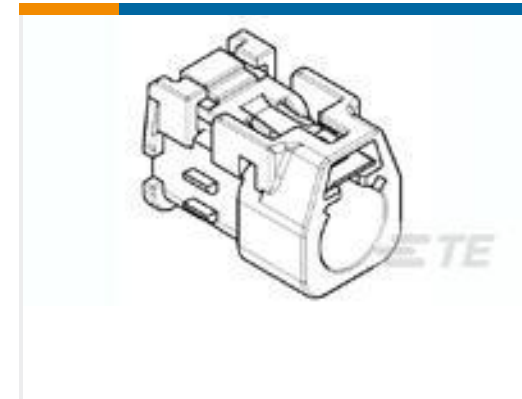
TE Part # 1438887-2
JACK HOUSING, 1 POSITION, 180 DEGREE, FA



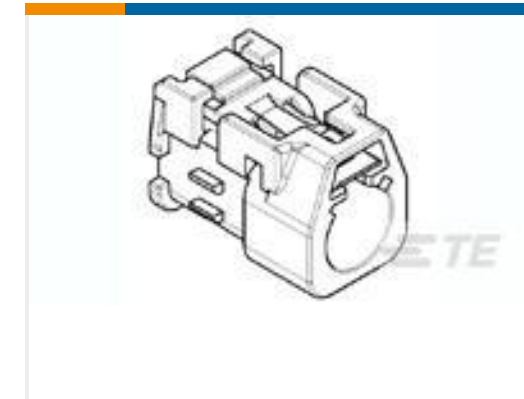
TE Part # 2-2138495-1
PLUG HOUSING, 1 POSITION, FAKRA, KEY Z



TE Part # 2138495-2
PLUG HOUSING, 1 POSITION, FAKRA, Key B



TE Part # 2138495-3
PLUG HOUSING, 1 POSITION, FAKRA, Key C



TE Part # 2138495-4
PLUG HOUSING, 1 POSITION, FAKRA, Key D

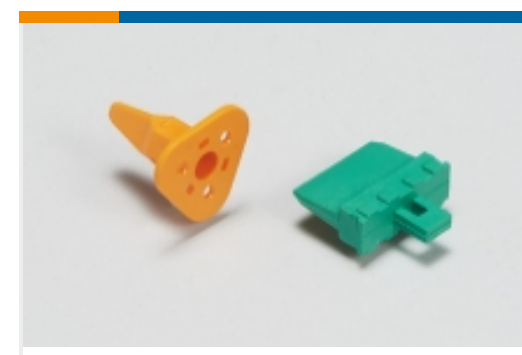
Also in the Series | **FAKRA RF Connector System**



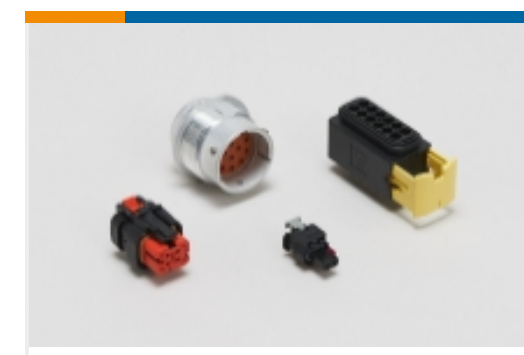
Automotive Connector Caps & Covers (1)



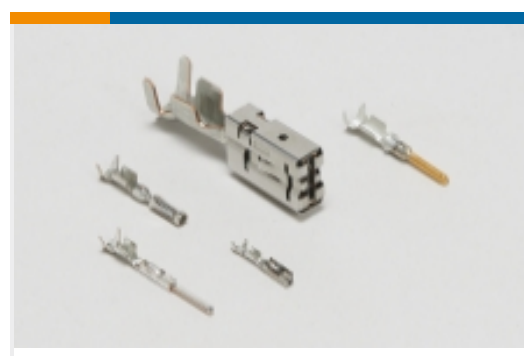
Automotive Connector EMC Shielding (8)




Automotive Connector Locks & Position Assurance(4)



Automotive Housings(2)



Automotive Terminals(22)



Coax Connectors(2)



Data Connectivity Headers(382)



Data Connectivity Housings(479)



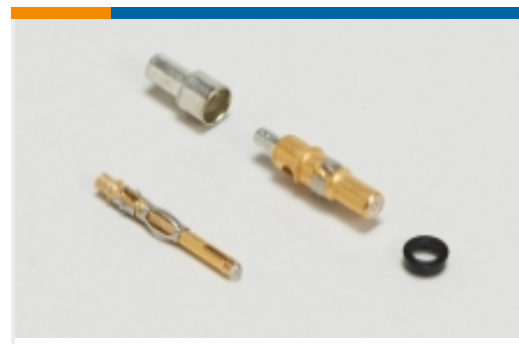
Infotainment & Multimedia Cable Assemblies(1)



Other Automotive Connector Accessories(37)



PCB Headers & Receptacles(2)



RF Contacts(3)

Customers Also Bought



TE Part #1534791-1
ADAPTER 180DEG 4/7POS



TE Part #1438888-1
LOCK, JACK, 1 POSITION, 180 DEGREE, FAKR



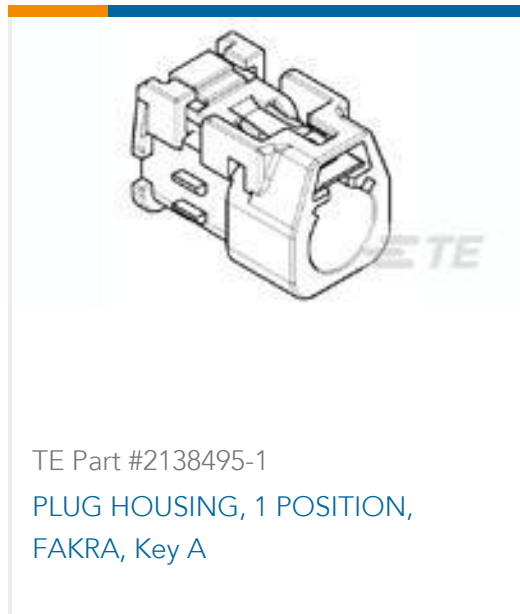
TE Part #1438895-1
PLUG SUBASSEMBLY, RG-62 AND RG-62U/M, 18



TE Part #1438908-1
JACK SUBASSEMBLY, RG-174, 180 DEGREE, SM



TE Part #1924856-3
Plug HOUSING, 2 POSN, FAKRA, Key C



TE Part #2138495-1
PLUG HOUSING, 1 POSITION, FAKRA, Key A



TE Part #2302450-1
MATENET, FEMALE INSERT MODUL, BLACK



TE Part #2302452-3
MATENET, FIXATION ELEMENT



TE Part #5-1924855-4
JACK HOUSING, 2 POSN, FAKRA, Key D, CpSlT



TE Part #1326646-1
CRIMP FERRULE, TIN PLATED

Documents

Product Drawings

Lock with Body clip, 1 Pos, SMB

English

CAD Files

Customer View Model

ENG_CVM_CVM_1438894-2_E.2d_dxf.zip

English

3D PDF



3D

Customer View Model

[ENG_CVM_CVM_1438894-2_E.3d_igs.zip](#)

English

Customer View Model

[ENG_CVM_CVM_1438894-2_E.3d_stp.zip](#)

English

By downloading the CAD file I accept and agree to the [Terms and Conditions](#) of use.

Product Specifications

[Application Specification](#)

English