

1438618-1 ✓ ACTIVE

AMP | [Get .64 Connector System](#)

TE Internal #: 1438618-1

Housing for Female Terminals, Wire-to-Device / Wire-to-Board, 40

Position, .1 in [2.54 mm] Centerline, Sealable, Black, Get .64

Connector System

[View on TE.com >](#)



Connectors > Automotive Connectors > Automotive Housings > GET .64 CONNECTOR SYSTEM, CONNECTOR HSG



Connector System: **Wire-to-Board, Wire-to-Device**

Number of Positions: **40**

Connector & Housing Type: **Housing for Female Terminals**

Centerline (Pitch): **2.54 mm [.1 in]**

Sealable: **Yes**

[All GET .64 CONNECTOR SYSTEM, CONNECTOR HSG \(114\)](#)

Features

Product Type Features

Mixed & Hybrid Connector	No
Connector Shape	Rectangular
Connector System	Wire-to-Board, Wire-to-Device
Connector & Housing Type	Housing for Female Terminals
Sealable	Yes
Primary Locking Feature	Integrated in Housing

Configuration Features

Number of Positions	40
Number of Rows	4

Body Features

Cable Exit Angle	180°
Primary Product Color	Black
Connector & Keying Code	H

Contact Features

Contact Size	.64mm
Contact Type	Receptacle
Mating Tab Width	.64 mm[.025 in]



Mechanical Attachment

Terminal Position Assurance	Yes
Strain Relief	Without
Mating Alignment Type	Keyed
Mating Alignment	With
Connector Mounting Type	Cable Mount (Free-Hanging)

Housing Features

Housing Material	PA GF
Centerline (Pitch)	2.54 mm[.1 in]

Dimensions

Connector Height	33.57 mm[1.322 in]
Product Width	37.37 mm[1.471 in]
Product Length	48.47 mm[1.908 in]
Row-to-Row Spacing	4.8 mm, 6.5 mm[.189 in][.256 in]

Usage Conditions

Operating Temperature (Max)	70 °C, 75 °C, 80 °C, 85 °C, 90 °C, 100 °C, 105 °C, 110 °C, 120 °C, 125 °C[158 °F][167 °F][176 °F][185 °F][194 °F][212 °F][221 °F][230 °F][248 °F][257 °F]
Operating Temperature Range	-40 – 125 °C[-40 – 257 °F]

Operation/Application

Circuit Application	Signal
---------------------	--------

Industry Standards

Degree of Protection	IP67
----------------------	------

Packaging Features

Packaging Quantity	60
Packaging Method	Package

Other

Serviceable	Yes
Connector Position Assurance Capable	No

Product Compliance

For compliance documentation, visit the product page on [TE.com](https://www.te.com)>



EU RoHS Directive 2011/65/EU	Compliant
EU ELV Directive 2000/53/EC	Compliant
China RoHS 2 Directive MIIT Order No 32, 2016	No Restricted Materials Above Threshold
EU REACH Regulation (EC) No. 1907/2006	<p>Current ECHA Candidate List: JUNE 2023 (235)</p> <p>Candidate List Declared Against: JUNE 2023 (235)</p> <p>SVHC > Threshold:</p> <p>Octamethylcyclotetrasiloxane (D4) (.5% in Component Part)</p> <p>Dodecamethylcyclohexasiloxane (D6) (.5% in Component Part)</p> <p>Decamethylcyclopentasiloxane (D5) (.5% in Component Part)</p> <p>Article Safe Usage Statements: Wash thoroughly after handling. Recycle if possible and dispose of the article by following all applicable governmental regulations relevant to your geographic location.</p>
Halogen Content	Low Halogen - Br, Cl, F, I < 900 ppm per homogenous material. Also BFR/CFR/PVC Free
Solder Process Capability	Not applicable for solder process capability

Product Compliance Disclaimer

This information is provided based on reasonable inquiry of our suppliers and represents our current actual knowledge based on the information they provided. This information is subject to change. The part numbers that TE has identified as EU RoHS compliant have a maximum concentration of 0.1% by weight in homogenous materials for lead, hexavalent chromium, mercury, PBB, PBDE, DBP, BBP, DEHP, DIBP, and 0.01% for cadmium, or qualify for an exemption to these limits as defined in the Annexes of Directive 2011/65/EU (RoHS2). Finished electrical and electronic equipment products will be CE marked as required by Directive 2011/65/EU. Components may not be CE marked. Additionally, the part numbers that TE has identified as EU ELV compliant have a maximum concentration of 0.1% by weight in homogenous materials for lead, hexavalent chromium, and mercury, and 0.01% for cadmium, or qualify for an exemption to these limits as defined in the Annexes of Directive 2000/53/EC (ELV). Regarding the REACH Regulation, the information TE provides on SVHC in articles for this part number is based on the latest European Chemicals Agency (ECHA) 'Guidance on requirements for substances in articles' posted at this URL: <https://echa.europa.eu/guidance-documents/guidance-on-reach>

Compatible Parts



Also in the Series | [Get .64 Connector System](#)



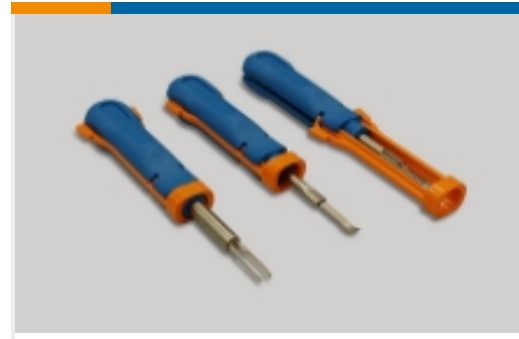
Automotive Connector Caps & Covers (7)



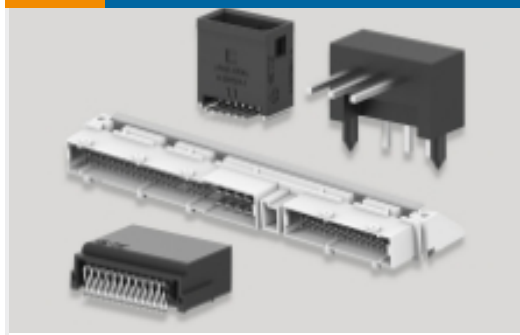
Automotive Housings(118)



Automotive Terminals(30)



Insertion & Extraction Tools(1)



PCB Headers & Receptacles(1)

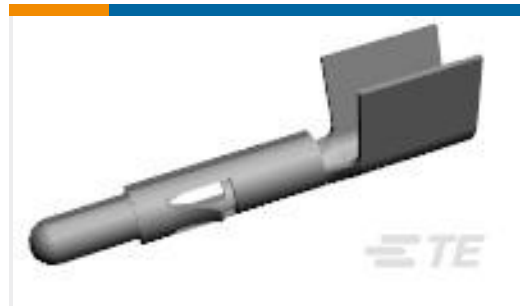
Customers Also Bought



TE Part #HD36-24-23PN
PLG, 23P, AL, N, 16, P



TE Part #1534101-1
16POS MQS REC



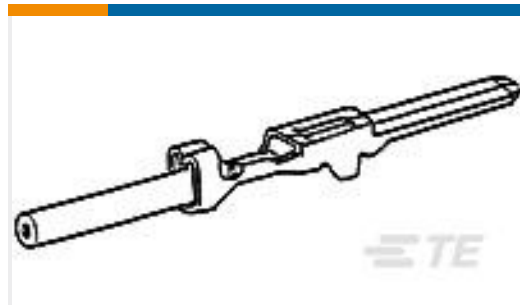
TE Part #640309-3
UMNL PIN 12-10 PTPPHBZ



TE Part #794912-1
6 POS UMNL CIR CAP HSG



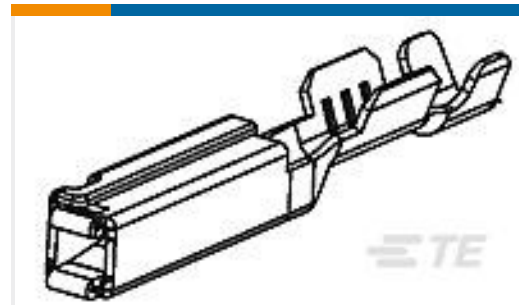
TE Part #794911-1
6 POS UMNL CIR PLUG HSG



TE Part #173645-3
070 MLC TAB CONT 20-16 GOLD



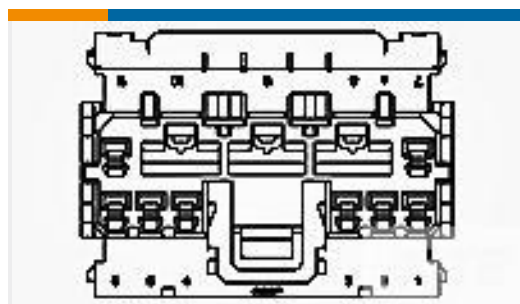
TE Part #1060-16-0122
PIN, SF, SIZE 16, 14-18, NI/SN



TE Part #1393365-1
V23540X7000Y20GET-FEM TERM AU



TE Part #1718350-2
MCON 1.2 CB TAB STC AU



TE Part #174927-1
070 MLC W-W PLUG HSG 15P

Documents



Product Drawings

40 WAY ARM PLUG, KEY H NSB

English

CAD Files

Customer View Model

[ENG_CVM_CVM_1438618-1_AC.2d_dxf.zip](#)

English

3D PDF

3D

Customer View Model

[ENG_CVM_CVM_1438618-1_AC.3d_igs.zip](#)

English

Customer View Model

[ENG_CVM_CVM_1438618-1_AC.3d_stp.zip](#)

English

By downloading the CAD file I accept and agree to the [Terms and Conditions](#) of use.

Datasheets & Catalog Pages

GET 0.64 Interconnection System

English