

142831-1 ✓ ACTIVE



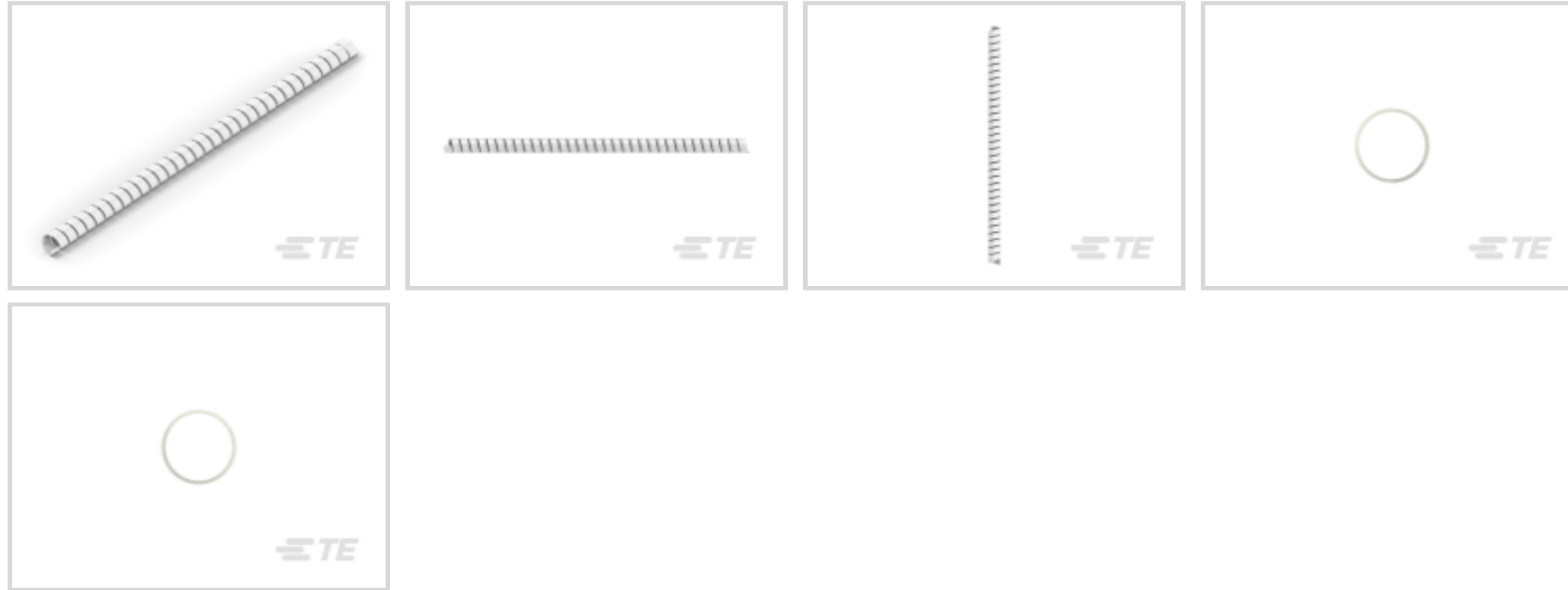
SPIRAP

TE Internal #: 142831-1

Cable Tie Mounts & Accessories, Cable Tie Tool, Spiral, Polyethylene, Natural, Packaged Length 15.24 m [50 ft], Box & Carton, SPIRAP

[View on TE.com >](#)

Wire & Cable > Wire & Cable Accessories > Cable Tie Mounts & Accessories



Wire & Cable Accessory Type: **Cable Tie Tool**

Wire & Cable Mounting Type: **Spiral**

Adhesive Back: **Without**

Primary Product Material: **Polyethylene**

Primary Product Color: **Natural**

Features

Product Type Features

Product Type	Cable Wrap
Wire & Cable Accessory Type	Cable Tie Tool

Body Features

Primary Product Material	Polyethylene
Primary Product Color	Natural

Mechanical Attachment

Wire & Cable Mounting Type	Spiral
Adhesive Back	Without

Dimensions

Overall Outside Diameter	12 mm [.47 in]
Bundle Range Diameter	10 – 100 mm [.39 – 3.93 in]

Packaging Features

Packaged Length	15.24 m [50 ft]
-----------------	-----------------

Packaging Method

Box & Carton

Product Compliance

[For compliance documentation, visit the product page on TE.com>](#)

EU RoHS Directive 2011/65/EU	Compliant
EU ELV Directive 2000/53/EC	Compliant
China RoHS 2 Directive MIIT Order No 32, 2016	No Restricted Materials Above Threshold
EU REACH Regulation (EC) No. 1907/2006	Current ECHA Candidate List: JUNE 2023 (235) Candidate List Declared Against: JUNE 2022 (224) Does not contain REACH SVHC
Halogen Content	Low Halogen - Br, Cl, F, I < 900 ppm per homogenous material. Also BFR/CFR/PVC Free
Solder Process Capability	Not applicable for solder process capability

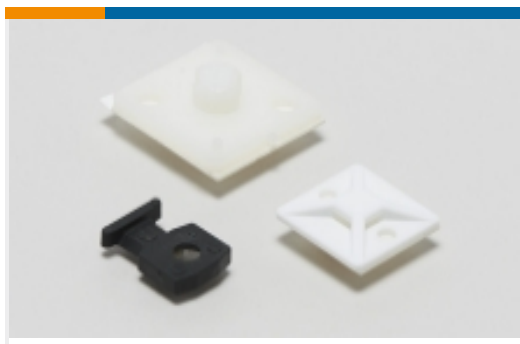
Product Compliance Disclaimer

This information is provided based on reasonable inquiry of our suppliers and represents our current actual knowledge based on the information they provided. This information is subject to change. The part numbers that TE has identified as EU RoHS compliant have a maximum concentration of 0.1% by weight in homogenous materials for lead, hexavalent chromium, mercury, PBB, PBDE, DBP, BBP, DEHP, DIBP, and 0.01% for cadmium, or qualify for an exemption to these limits as defined in the Annexes of Directive 2011/65/EU (RoHS2). Finished electrical and electronic equipment products will be CE marked as required by Directive 2011/65/EU. Components may not be CE marked. Additionally, the part numbers that TE has identified as EU ELV compliant have a maximum concentration of 0.1% by weight in homogenous materials for lead, hexavalent chromium, and mercury, and 0.01% for cadmium, or qualify for an exemption to these limits as defined in the Annexes of Directive 2000/53/EC (ELV). Regarding the REACH Regulation, the information TE provides on SVHC in articles for this part number is based on the latest European Chemicals Agency (ECHA) 'Guidance on requirements for substances in articles' posted at this URL: <https://echa.europa.eu/guidance-documents/guidance-on-reach>

Compatible Parts



Also in the Series | **SPIRAP**

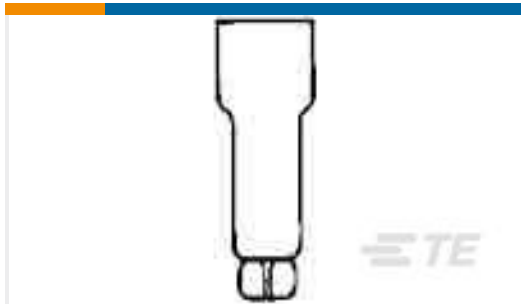


Cable Tie Mounts & Accessories(19)

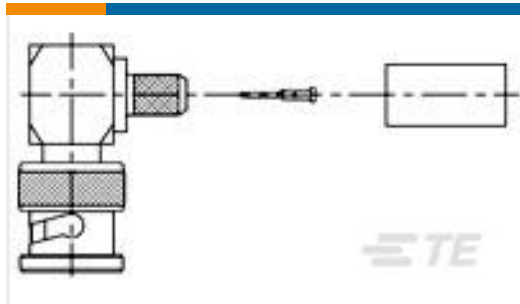
Customers Also Bought



TE Part #5-1415033-1
SR6ZB024



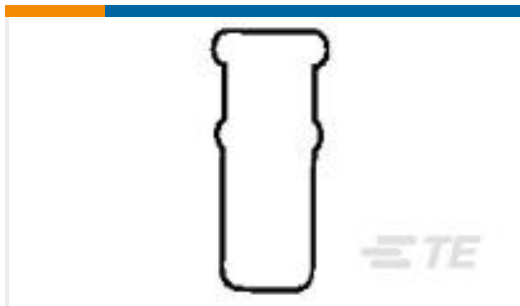
TE Part #34304
SPLICE,CE 22-14



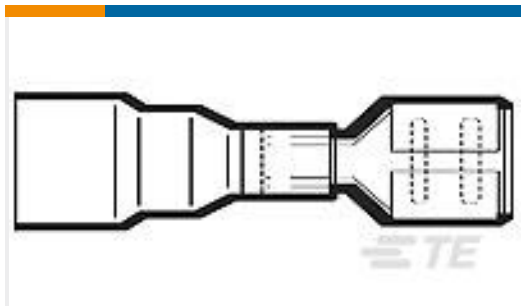
TE Part #1-1478075-0
BNC R/A Plg Hex 50Ohm Silver Pltd
RG58C/



TE Part #3-1625885-4
1W SM M/OX 5% 1K5



TE Part #324487
SPARE WIRE CAP,YEL .150-.210 INS.



TE Part #518553-000
B-106-3631



TE Part #878068-000
S1005-KIT-1



TE Part #193841-1
PIN, 2MM, 12-14 AWG



TE Part #1-1106102-1
F-STI-M3

Documents

Product Drawings

TUBING SPIRAP 500002-1

English

Datasheets & Catalog Pages

SPIRAP PLASTIC CABLE WRAP TECHNICAL DATA SHEET

English